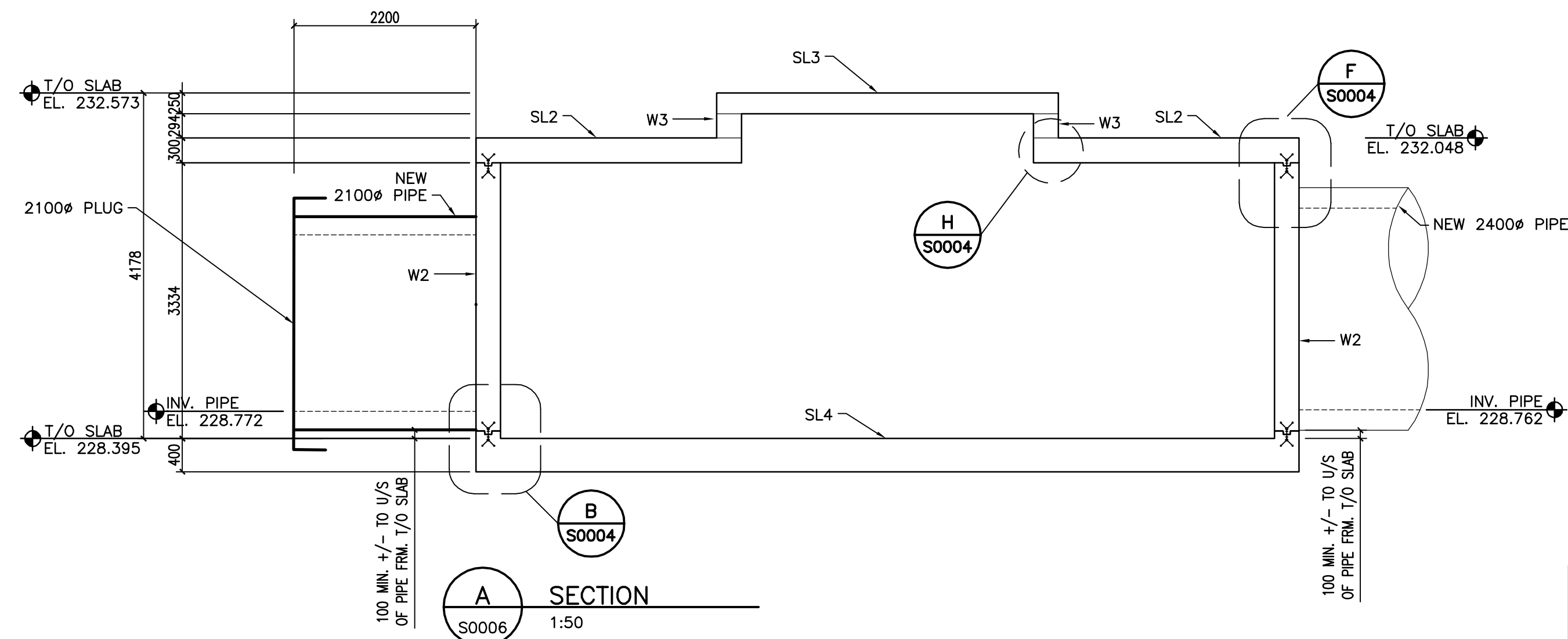


**DESIGN LOADS:**  
LIVE = 4.8 kPa

**DRAWING NOTES:**  
1. SEE CITY DRAWING NUMBER 1-0102U-S0003-001 FOR GENERAL NOTES.  
2. SEE CITY DRAWING NUMBER 1-0102U-S0003-001 FOR WALL, SLAB AND BEAM SCHEDULE.  
3. SEE CITY DRAWING NUMBER 1-0102U-S0004-001 FOR CONCRETE SECTIONS & TYPICAL DETAILS.



83R066 - N. side Frobisher Rd., 0.25km W. of St. Mary's Rd., Tbit. on top of 0.05m dia. x 1.2m from pipe (near conc. gate chamber), 7.1m Nly. of N. side & 9.8m Wly. of W. side of conc. gate chamber 0.25km W. of St. Mary's Rd.

**RECORD DRAWING**  
BY G.L. / M.F. DATE 12.08.27  
CHECKED BY B.F.

CONSTRUCTION COMPLETION DATE - APRIL 2011

**METRIC**  
WHOLE NUMBERS INDICATE MILLIMETRES  
DECIMALIZED NUMBERS INDICATE METRES

**LOCATION APPROVED UNDERGROUND STRUCTURES**

| NO. | REVISIONS                 | DATE     | BY     |
|-----|---------------------------|----------|--------|
| 01  | ISSUED FOR TENDER         | 09.10.13 | H.A.K. |
| 02  | DWG WAS 1-0102A-S0004-001 | 12.10.01 | SW     |
| 03  | RECORD DRAWING            | 12.02.03 | G.L.   |

NOTE: LOCATION OF UNDERGROUND STRUCTURES AS SHOWN ARE BASED ON THE BEST INFORMATION AVAILABLE BUT NO GUARANTEE IS GIVEN THAT ALL EXISTING UTILITIES ARE SHOWN OR THAT THE GIVEN LOCATIONS ARE EXACT. CONFIRMATION OF EXISTENCE AND EXACT LOCATION OF ALL SERVICES MUST BE OBTAINED FROM THE INDIVIDUAL UTILITIES BEFORE PROCEEDING WITH CONSTRUCTION.

| NO. | REVISIONS                 | DATE     | BY     |
|-----|---------------------------|----------|--------|
| 01  | ISSUED FOR TENDER         | 09.10.13 | H.A.K. |
| 02  | DWG WAS 1-0102A-S0004-001 | 12.10.01 | SW     |
| 03  | RECORD DRAWING            | 12.02.03 | G.L.   |

**Stantec Consulting Ltd.**  
905 Waverley Street, Winnipeg, Manitoba  
Tel 204-489-5900 Fax 204-453-9012

|             |          |                            |          |
|-------------|----------|----------------------------|----------|
| DESIGNED BY | M.H.     | CHECKED BY                 | T.D.     |
| DRAWN BY    | M.F.     | APPROVED BY                | C.M.     |
| HOR. SCALE: | AS NOTED | RELEASED FOR CONSTRUCTION: |          |
| VERTICAL:   |          | DATE                       | 09.09.21 |

ENGINEER'S SEAL  
ORIGINAL SEALED BY B.E. FRASER P. ENG. 12/08/28  
BID OPPORTUNITY NO. 709-2009

**THE CITY OF WINNIPEG**  
WATER AND WASTE DEPARTMENT

**SOUTH END WATER POLLUTION CONTROL CENTRE**  
INSTALLATION OF OUTFALL PIPE  
EFFLUENT SAMPLING FACILITY AND ASSOCIATED WORKS  
CHAMBER NO.2  
PLAN & SECTION

CITY DRAWING NUMBER 1-0102U-S0006-001  
SHEET 1 OF 1