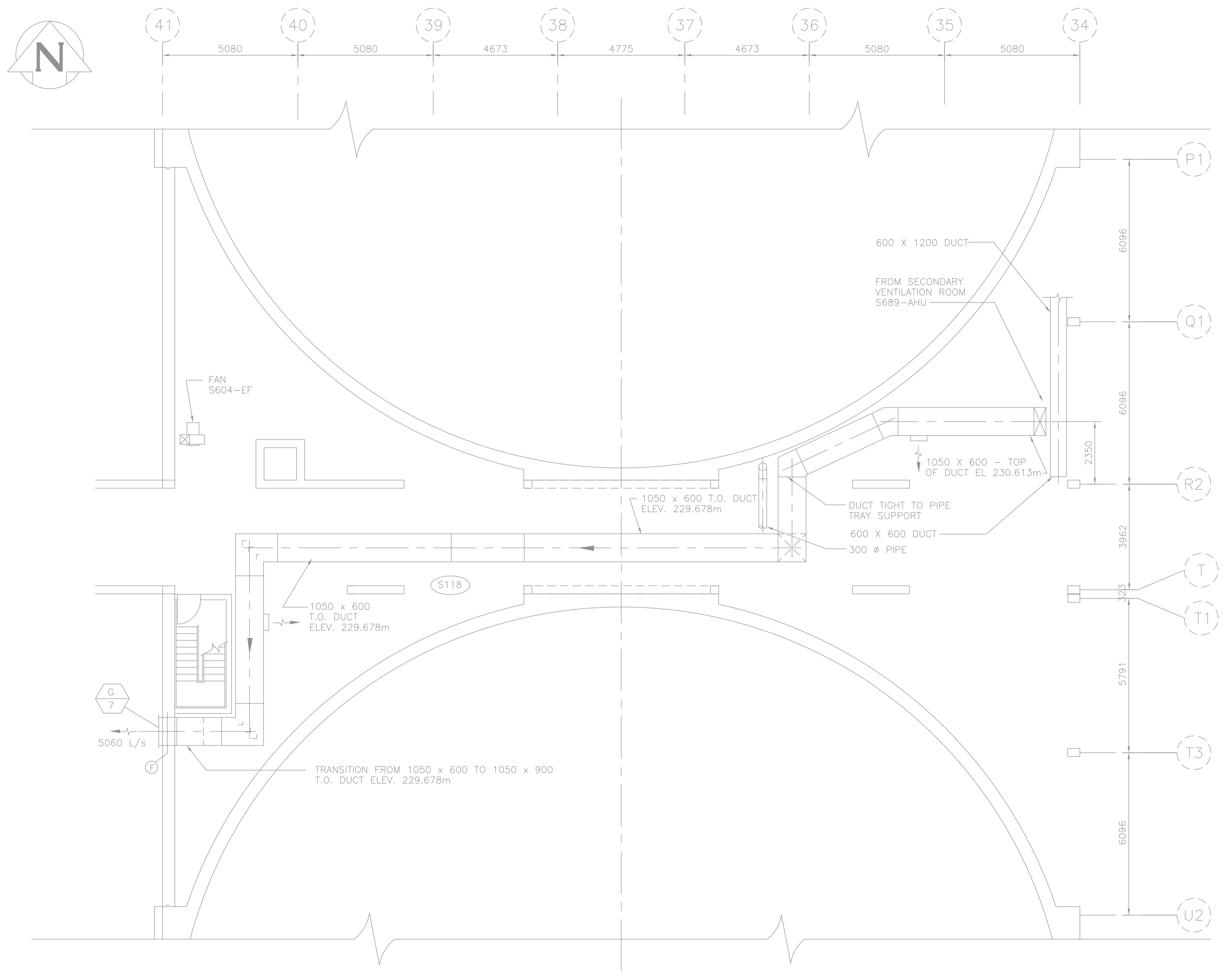
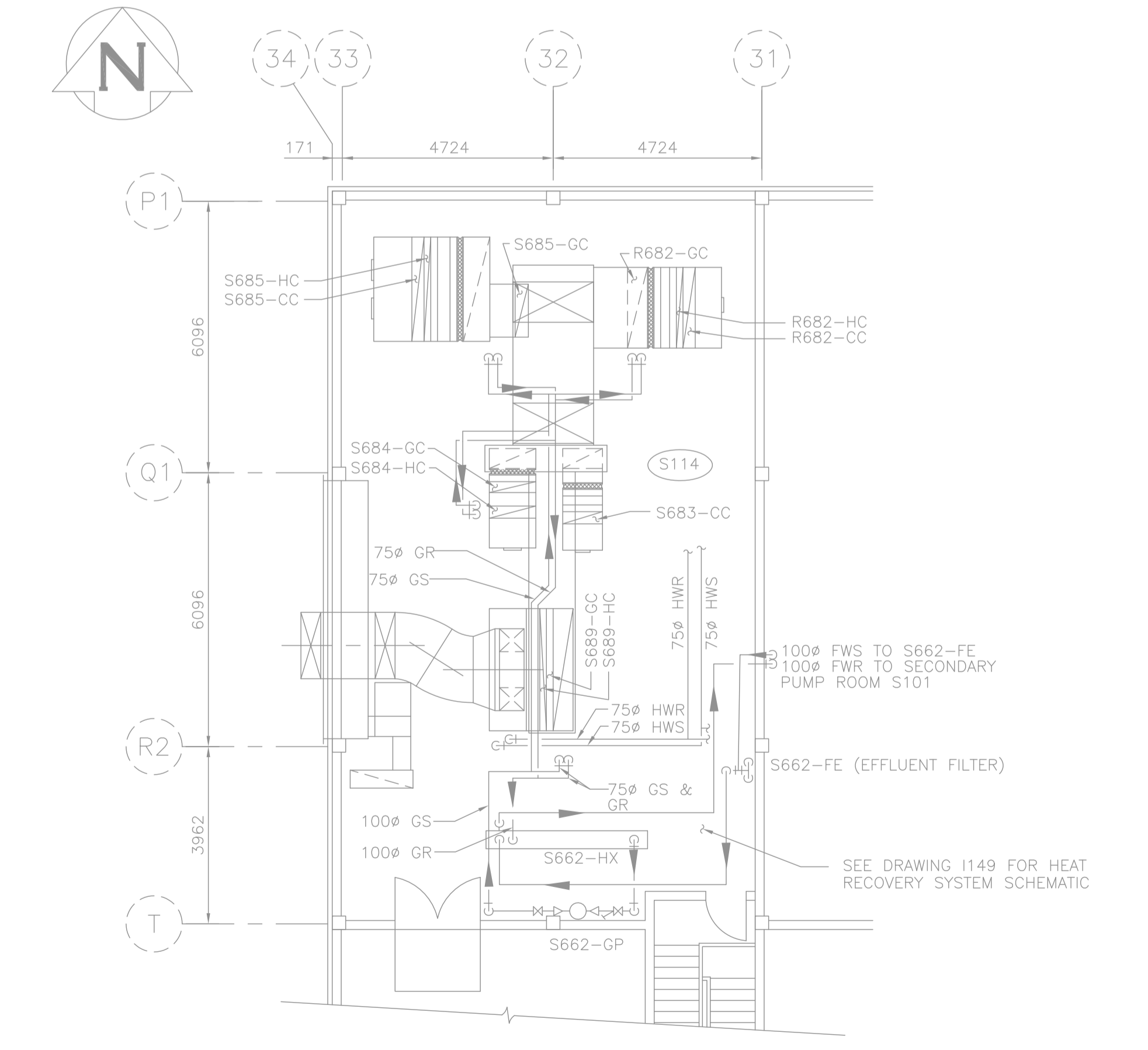


1 PARTIAL VENTILATION ROOM FLOOR PLAN ELEV. 237.592m
EQUIPMENT AND DUCTWORK LAYOUT
1 : 100

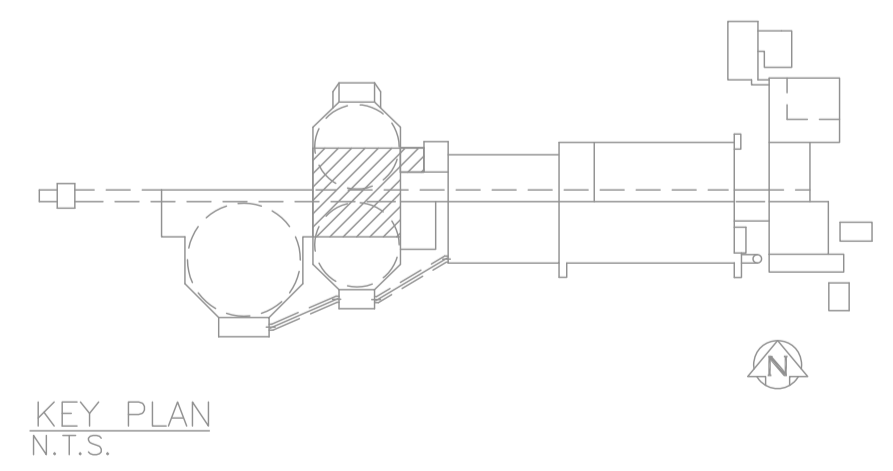


3 PARTIAL SECONDARY CLARIFIERS No. 1 AND No. 2 GALLERY VENTILATION PLAN ELEV. 226.466m
1 : 100



2 PARTIAL VENTILATION ROOM FLOOR PLAN ELEV. 237.592m
HEAT RECOVERY PIPING LAYOUT
1 : 100

- NOTES:**
- REFER TO GENERAL DEMOLITION NOTES DRAWING 1-0102-DAAA-AD01.
 - CONFIRMED ASBESTOS CONTAINING MATERIALS IN AIR HANDLING UNIT. REFER TO ASBESTOS ABATEMENT SPECIFICATIONS FOR ABATEMENT PROCEDURES.
 - CONFIRMED ASBESTOS CONTAINING MATERIALS IN DUCTWORK INSULATION. REFER TO ASBESTOS ABATEMENT SPECIFICATIONS FOR ABATEMENT PROCEDURES.
 - CONFIRMED ASBESTOS CONTAINING MATERIALS IN HEATING WATER FITTINGS INSULATION. REFER TO ASBESTOS ABATEMENT SPECIFICATIONS FOR ABATEMENT PROCEDURES.



AS CONSTRUCTED
DATE: SEPTEMBER 1993 P.R.B.
APPROVED BY: _____

B.M. ELEV.	Mac LAREN ENGINEERS INC. WARDROP ENGINEERING INC. ENGINEERING CONSULTANTS	
DESIGNED BY	S.Q.	CHECKED BY
DRAWN BY	V.J.H.	APPROVED BY
HOR. SCALE:	1:100	
VERTICAL:	1:100	
NO. REVISIONS	DATE	BY
3	ISSUED FOR ADDENDUM 7 - 976-2016	07/17 JBC
2	ISSUED FOR CONSTRUCTION - 976-2016	04/17 P.R.B.
1	AS CONSTRUCTED	09/93 P.R.B.
0	ISSUED FOR TENDER	07/90 S.Q.
-	ISSUED FOR APPROVAL	04/90 S.Q.
		DATE
		FEB. 1990

ORIGINALLY DESIGNED BY
T.T. TRAN
Member 40578
PROFESSIONAL ENGINEER

THE CITY OF WINNIPEG
WORKS AND OPERATIONS DIVISION
WATERWORKS, WASTE & DISPOSAL DEPARTMENT

SOUTH END WATER POLLUTION CONTROL CENTRE
SECONDARY CLARIFIER EXPANSION-MECHANICAL

VENTILATION ROOM S114
FLOOR PLANS
HEAT, VENTILATION AND DUCTWORK

CITY DRAWING NUMBER
SHEET OF
SEP-450

CONSULTANT DRAWING NO. 870012-01-22-S-M128