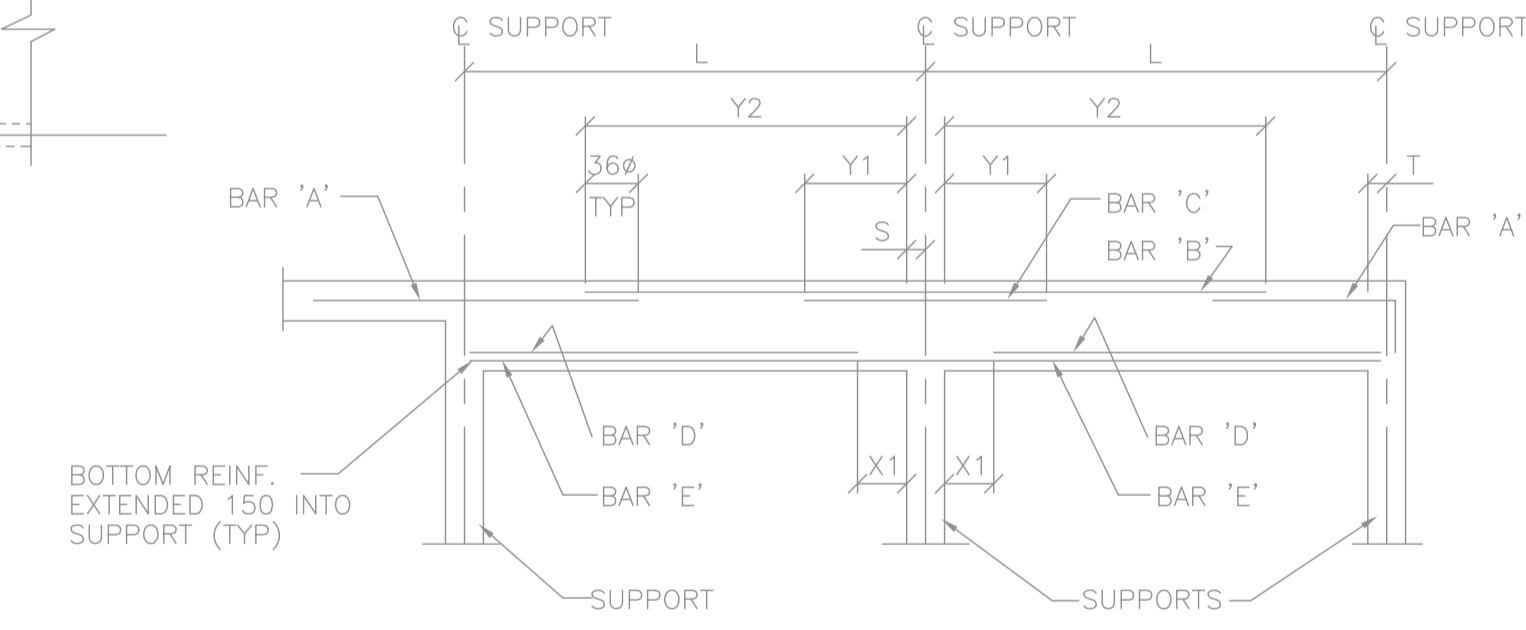


NOTES:

- FOR NEW CONSTRUCTION SEE STRUCTURAL BIOFILTER DRAWINGS.
- REFER TO GENERAL DEMOLITION NOTES ON DRAWING 1-0102-DA44-AD01.

- ROOF SLAB REINFORCING**
- R/W 15M @ 300 O/C BOT. T.S. 15M @ 300 O/C TOP AND BOT.
 - R/W 20M @ 150 O/C BOT. T.S. 15M @ 300 O/C TOP AND BOT.
 - R/W 15M @ 300 O/C TOP AND BOT. T.S. 15M @ 300 O/C TOP & BOT. BOT. REINF. EXTENDED 150 INTO SUPPORT (TYP) REINF. BENT TO REFLECT SLOPES
 - R/W 20M @ 150 O/C BOT. 15M @ 150 O/C TOP. EXTEND EVERY SECOND TOP BAR TO LAP WITH ADJACENT TOP STEEL AS SHOWN. T.S. 15M @ 300 O/C TOP AND BOT. REINF. BENT TO REFLECT SLOPES
 - R/W 15M x 1200 LG. @ 300 O/C TOP CENTERED OVER SUPPORT
 - R/W 2-20M TOP & BOT. ALL AROUND OPENING

- NOTES:**
- FOR DETAILS AND LOCATIONS OF MECHANICAL PENETRATIONS THROUGH ROOF SLAB SEE DWG. R-M101.
 - FOR GENERAL NOTES SEE DWG. S101
 - PERIMETER CURBS NOT SHOWN FOR CLARITY.

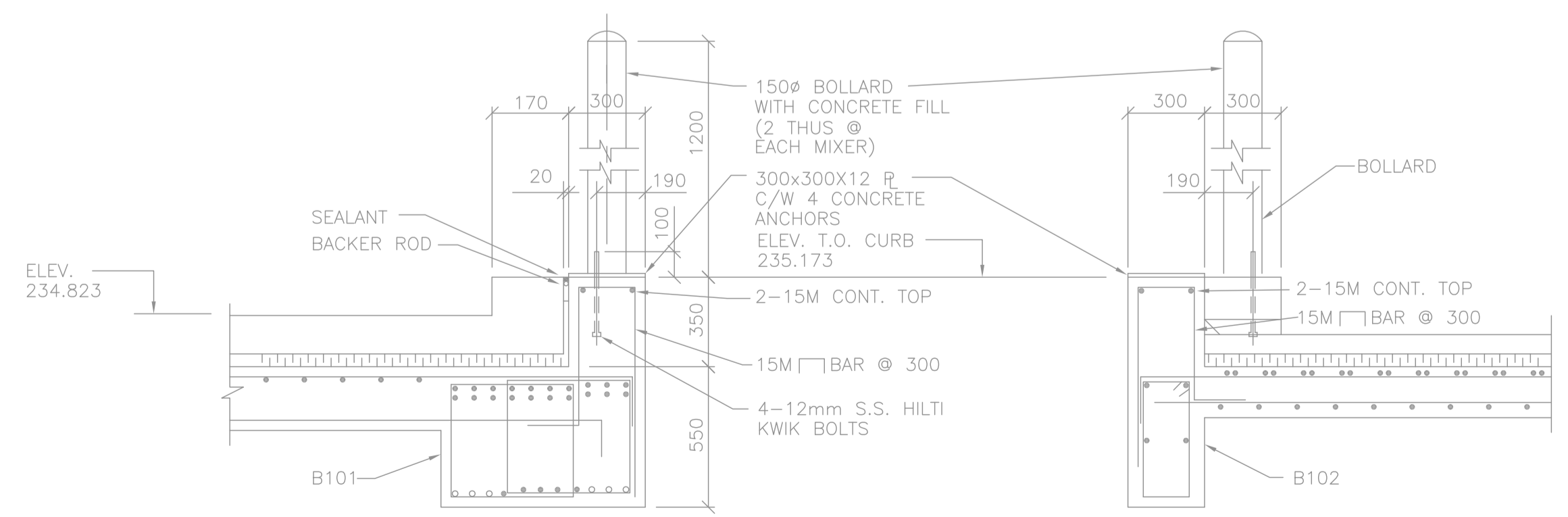


1 ROOF PLAN ELEV. 234.823 U/N
1:100
ELEV. ALONG GRID LINES 21,19,18,17 AND 16 = 234.823
ELEV. ALONG ROOF DRAIN LINES = 234.783 U/N
ELEV. ALONG GRID LINE 22 = 233.477

AS CONSTRUCTED
DATE SEPTEMBER 1993 BY C.J.A.
APPROVED BY _____

BEAM	SIZE w d	L	S	T	TOP REINFORCING				BOTTOM REINFORCING			STIRRUPS	REMARKS
					BAR 'A'	BAR 'B'	BAR 'C'	Y1	Y2	BAR 'B'	BAR 'B'		
B101	800 550	10570	150	150	4-25M	10-25M	10-25M	2500	8000	5-25M	6-25M	2100	TOP REINF. IN 2 LAYERS BOTTOM REINF. IN 1 LAYER
B102	300 550	2630	400	400	2-15M	-	-	-	-	2-15M	-	-	HOOK TOP BARS INTO B101 EXTEND BOTTOM BARS 150 INTO B101
B103	300 500	10570	150	150	2-30M	-	-	-	-	2-30M	-	-	TOP & BOTTOM REINF. IN 1 LAYER
B104	300 600	10570	150	150	2-30M	-	-	-	-	2-30M	-	-	TOP & BOT. REINF. IN 1 LAYER DROP TOP REINF. TO CLEAR PVC WATERSTOP

- NOTES:**
- TOP BARS SPLICED @ MID-SPAN, BOTTOM BARS @ SUPPORT
 - A CONTINUOUS BAR USED FOR BAR 'B' WHEN Y2 IS NOT GIVEN.



2 SECTION
1:20

3 SECTION
1:20

B.M. ELEV.	DATE	BY	DATE	BY
	07/17	JBC	07/17	JBC
	04/17	G.O.	04/17	G.O.
	07/16	G.O.	07/16	G.O.
	09/93	P.R.B.	09/93	P.R.B.
	07/90	K.L.	07/90	K.L.
	04/90	K.L.	04/90	K.L.
NO. REVISIONS	DATE	BY	DATE	BY
			JULY 1990	

ORIGINALLY DESIGNED BY
LUI
Member
37003
CONSULTANT DRAWING NO.
870012-01-19-R-S103

THE CITY OF WINNIPEG
WORKS AND OPERATIONS DIVISION
WATERWORKS, WASTE & DISPOSAL DEPARTMENT

SOUTH END WATER POLLUTION CONTROL CENTRE
OXYGEN REACTOR EXPANSION-STRUCTURAL
ROOF PLAN ELEV. 234.823

CITY DRAWING NUMBER
SHEET OF
SEP-339