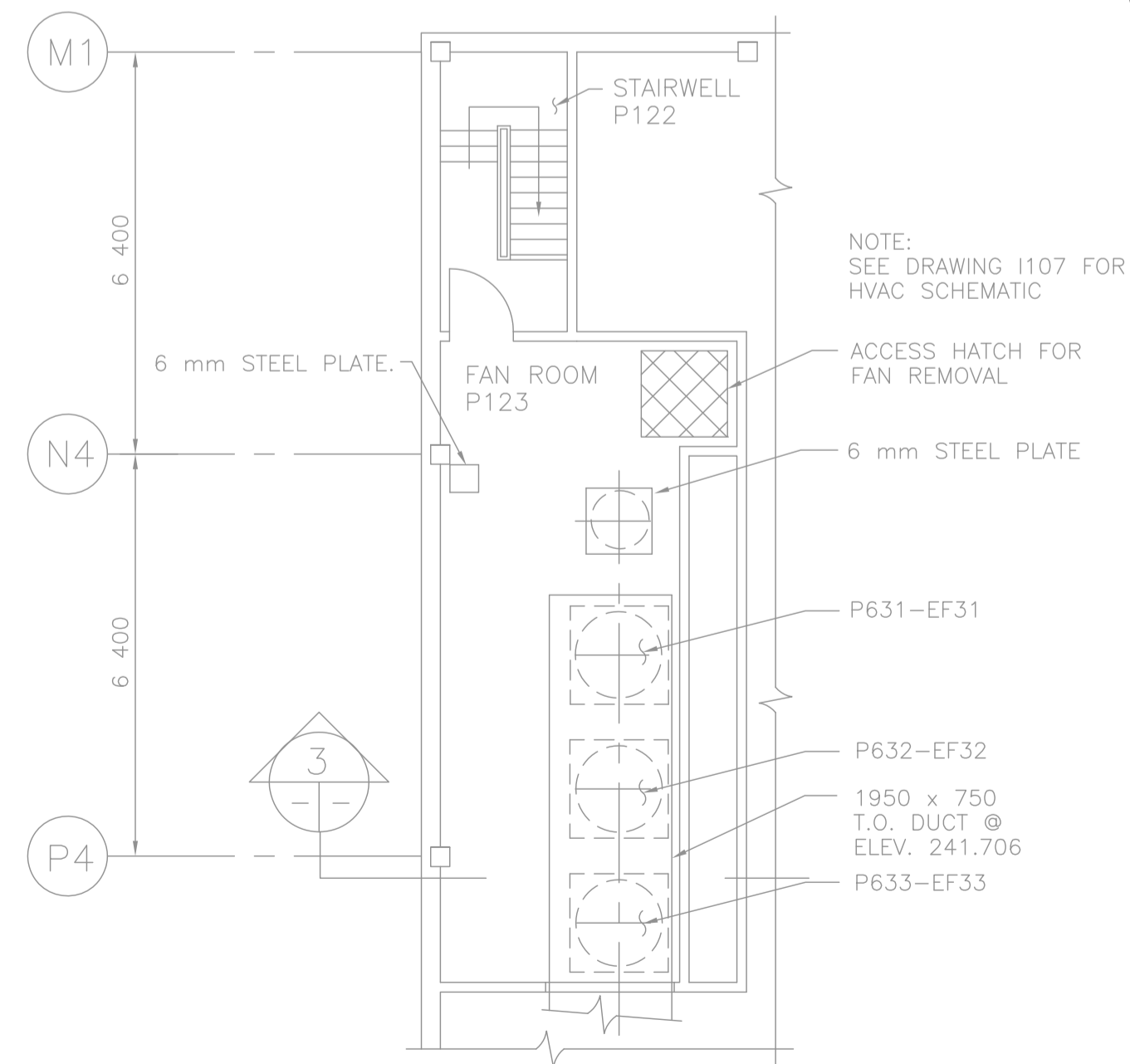


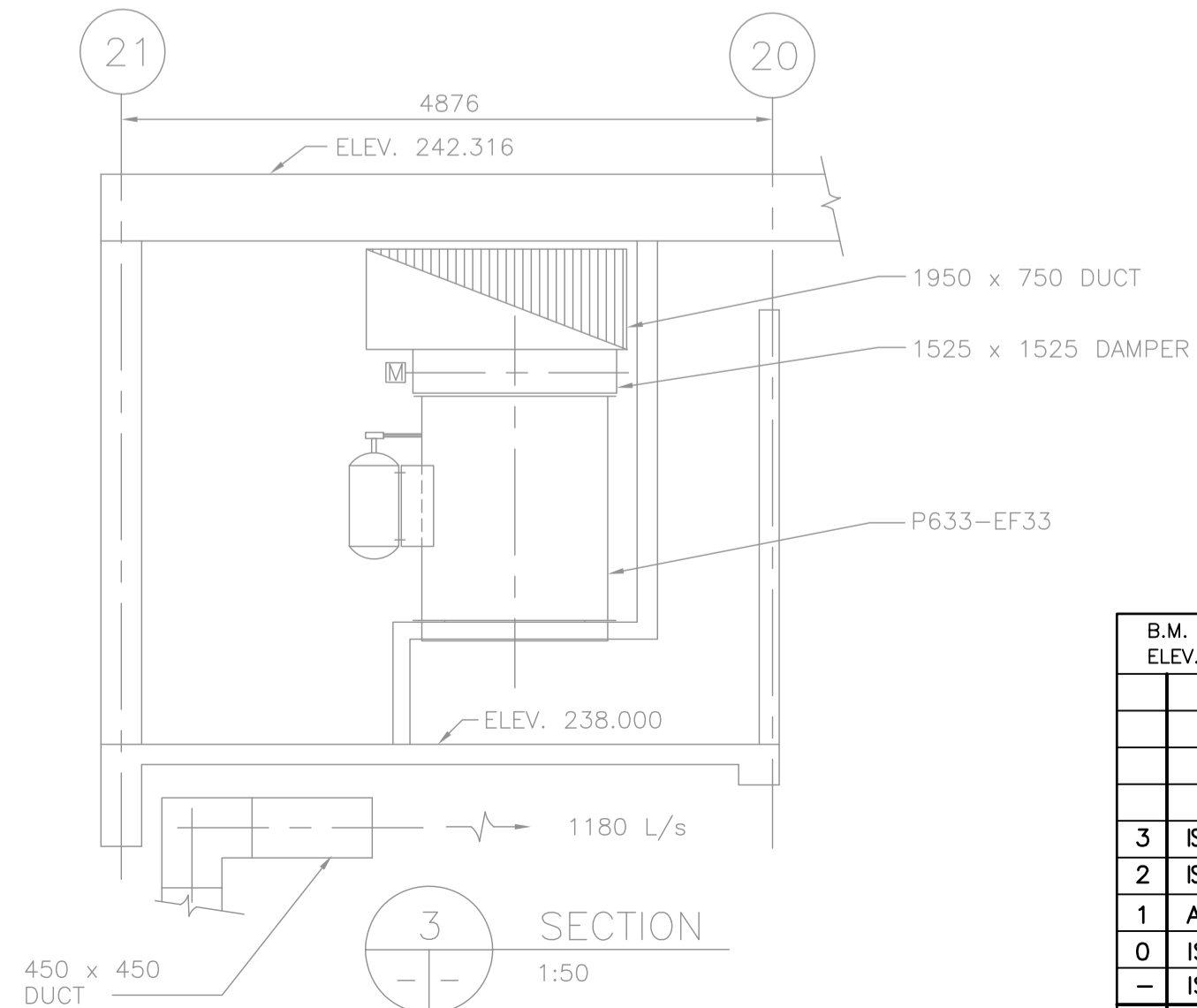
1 MAIN FLOOR PLAN AT ELEV. 234.390
1:100

NOTES:

1. CONFIRMED ASBESTOS CONTAINING MATERIALS IN DUCTWORK INSULATION. REFER TO ASBESTOS ABATEMENT SPECIFICATIONS FOR ABATEMENT PROCEDURES



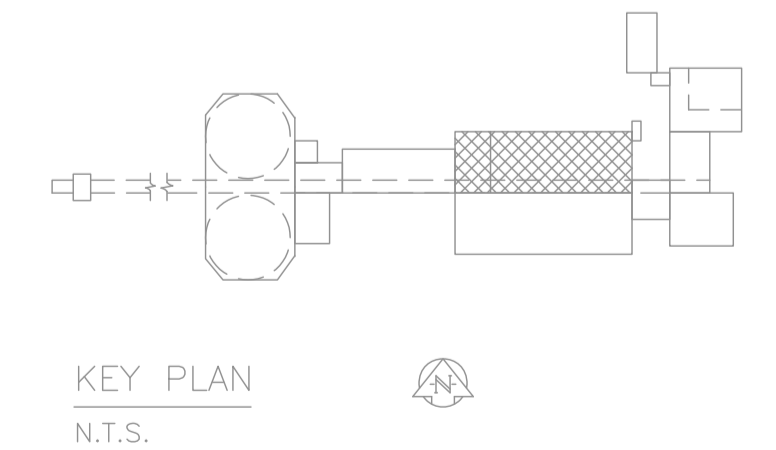
2 FAN ROOM FLOOR PLAN ELEV. 238.000
1:100



AS CONSTRUCTED

DATE OCTOBER / 91 BY S.Q.

APPROVED BY



B.M. ELEV.				MacLAREN ENGINEERS INC. WARDROP ENGINEERING INC.	
				ENGINEERING CONSULTANTS	
DESIGNED BY	S. Q.	CHECKED BY			
DRAWN BY	V. J. H.	APPROVED BY			
HOR. SCALE:	AS SHOWN	RELEASED FOR CONSTRUCTION:			
VERTICAL:					
NO. REVISIONS	DATE	BY	DATE	APRIL 7, 1989	

ORIGINALLY DESIGNED BY
24 July 2017

PROVINCE OF MANITOBA
REGISTERED PROFESSIONAL ENGINEER
F. J. ABSI
Member
36875

CONSULTANT DRAWING NO.
870012-01-16-M113

THE CITY OF WINNIPEG
WORKS AND OPERATIONS DIVISION
WATERWORKS, WASTE & DISPOSAL DEPARTMENT

SOUTH END WATER POLLUTION CONTROL CENTRE
PRIMARY CLARIFIERS No.1 and 2 - MECHANICAL

MAIN FLOOR AND FAN ROOM PLAN
HEAT, VENT AND DUCTWORK

CITY DRAWING NUMBER
SHEET OF
SEP-267