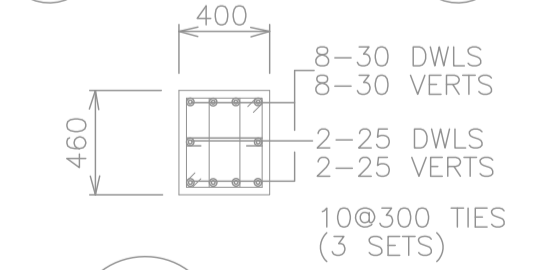
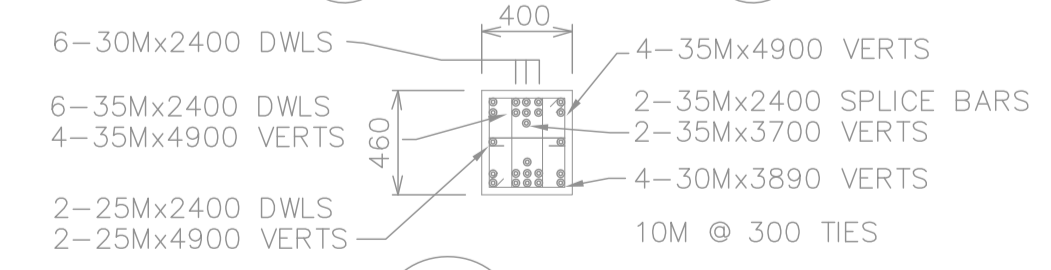
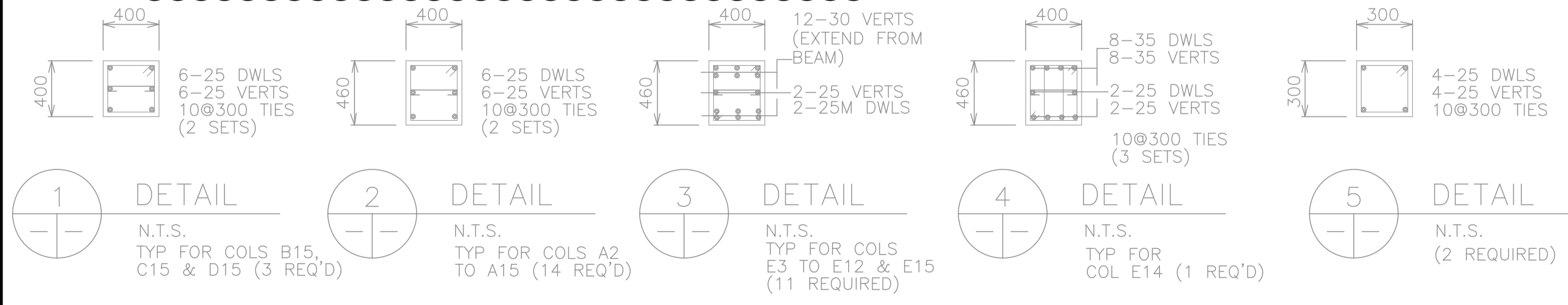


PLAN ABOVE EL 234.390

- NOTES:**
1. CONFIRMED ASBESTOS CONTAINING MATERIALS IN EXTERIOR WALL PLASTER. REFER TO ASBESTOS ABATEMENT SPECIFICATIONS FOR ABATEMENT PROCEDURES.
 2. REFER TO GENERAL DEMOLITION NOTES DRAWING 1-0102-DAAA-A001.
 3. COORDINATE DEMOLITION REQUIREMENTS WITH NEW CONSTRUCTION.



AS CONSTRUCTED
 DATE JUNE/91 BY CJA
 APPROVED BY _____

B.M. ELEV.		M. McLAREN ENGINEERS INC. WARDROP ENGINEERING INC.		ENGINEER'S SEAL 2017 PROVINCE OF MANITOBA REGISTERED PROFESSIONAL ENGINEER LUI Member 37003		THE CITY OF WINNIPEG WORKS AND OPERATIONS DIVISION WATERWORKS, WASTE & DISPOSAL DEPARTMENT	
DESIGNED BY AL		CHECKED BY AL		SOUTH END WATER POLLUTION CONTROL CENTRE		CITY DRAWING NUMBER	
DRAWN BY RL		APPROVED BY _____		PRIMARY CLARIFIER - STRUCTURAL		SHEET OF	
HOR. SCALE: 1 : 100		RELEASED FOR CONSTRUCTION:		PLAN ABOVE EL. 234.390		SEP-242	
NO. REVISIONS		DATE BY		CONSULTANT DRAWING NO. 43525-S103			