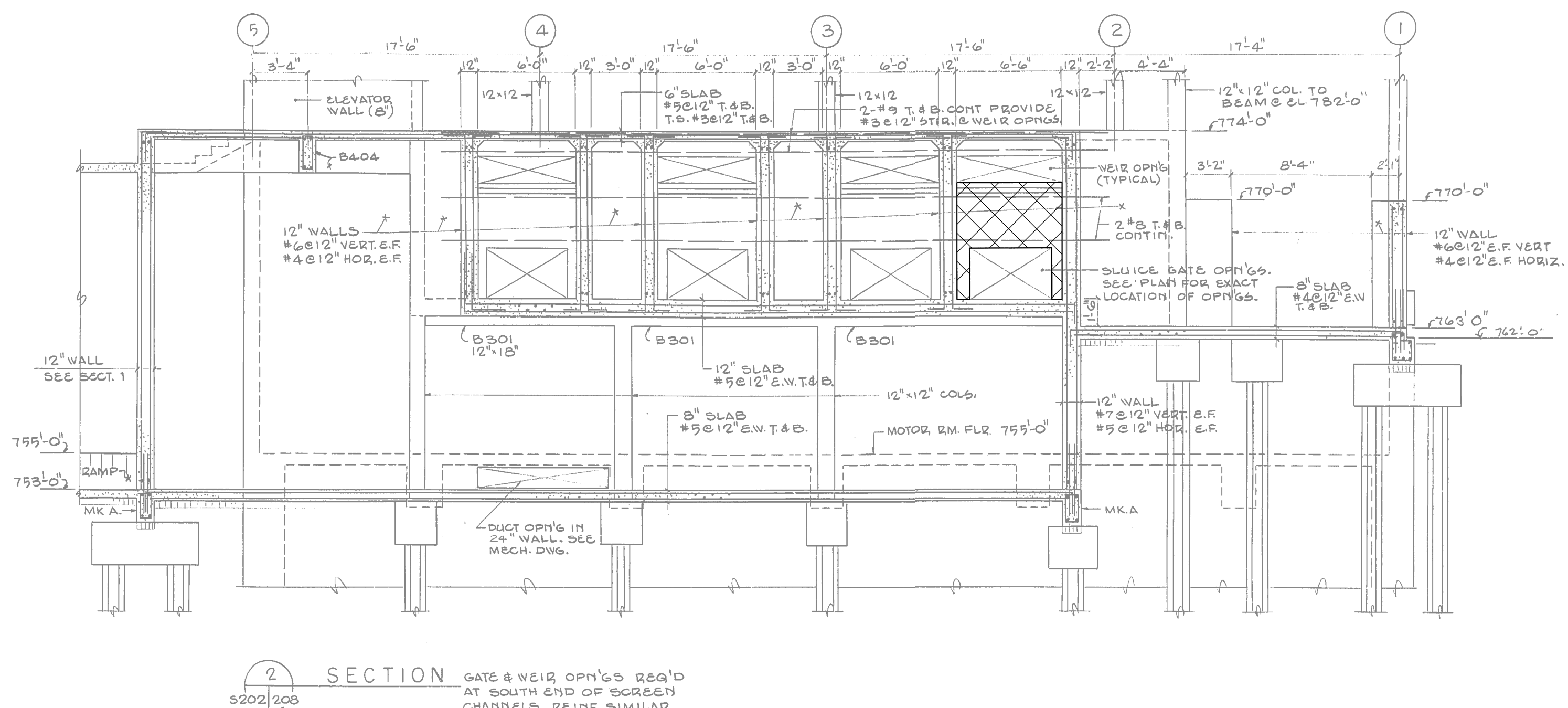
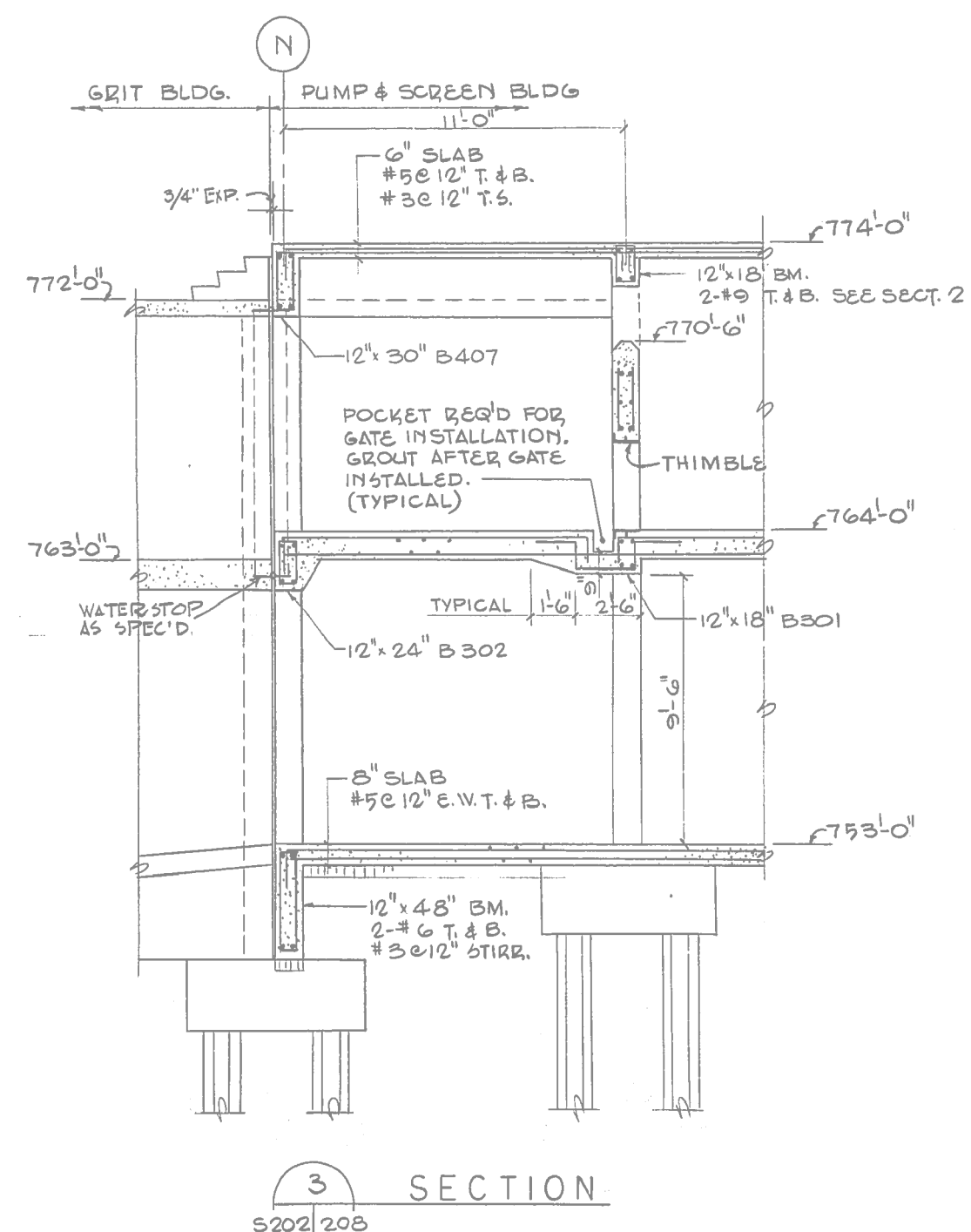


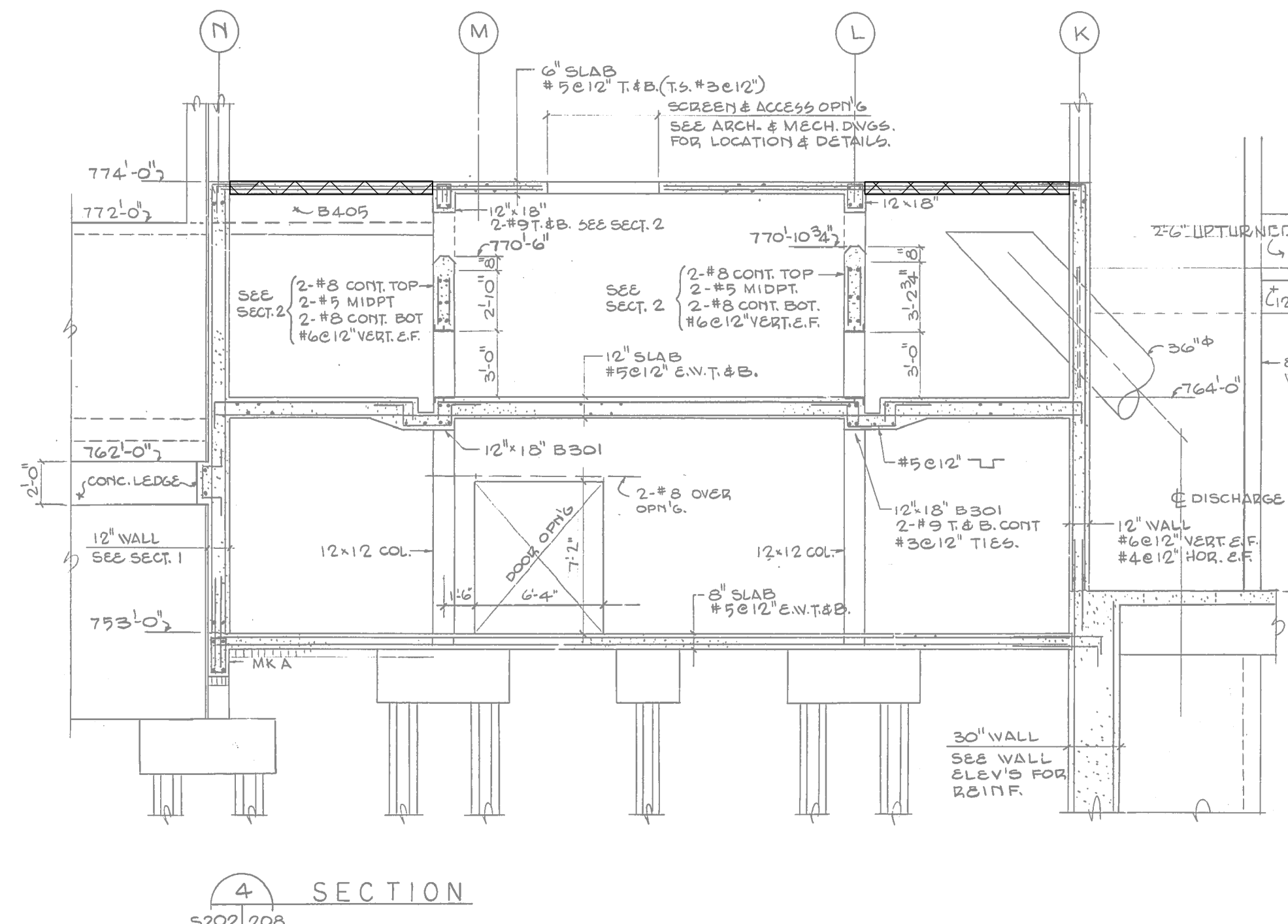
SECTION 1
5202 208



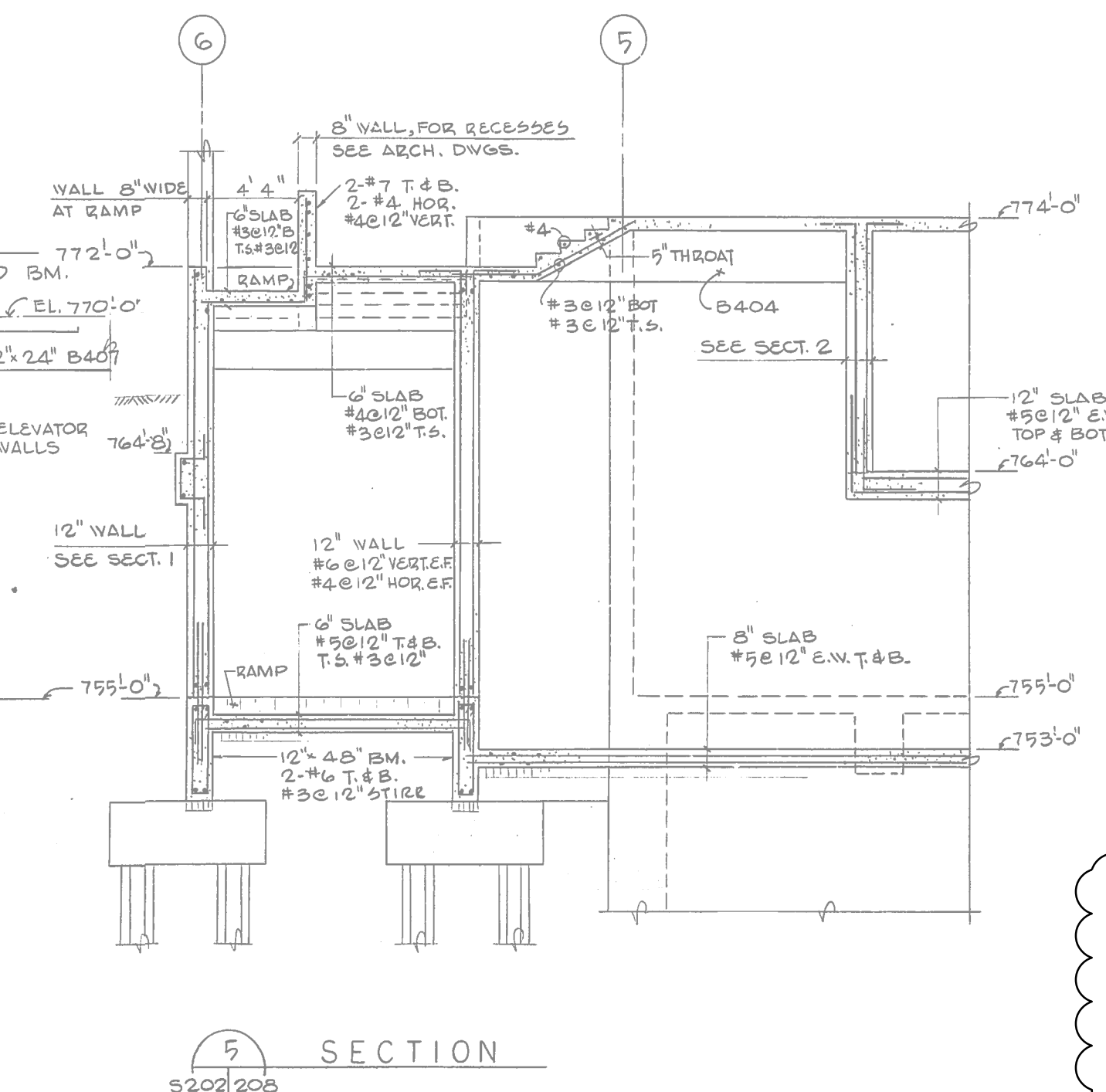
SECTION 2
5202 208
GATE & WEIR OPN'GS REQ'D AT SOUTH END OF SCREEN CHANNELS. REINF. SIMILAR.



SECTION 3
5202 208



SECTION 4
5202 208



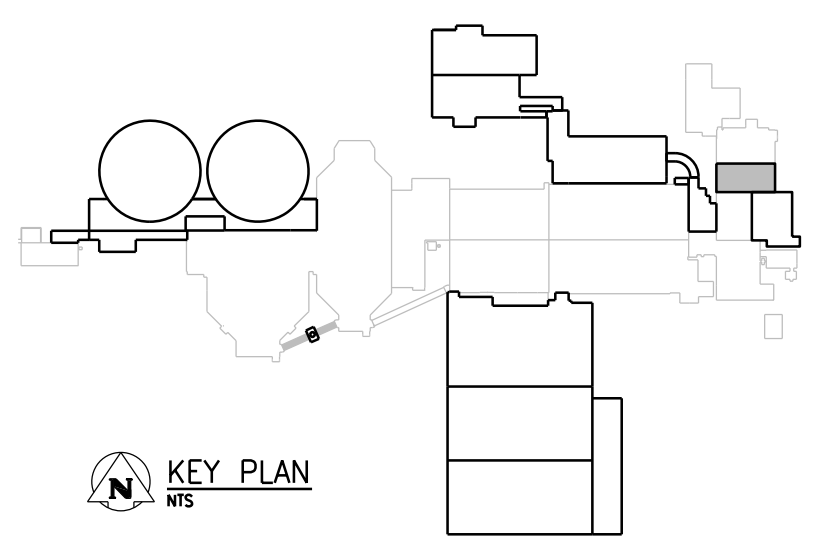
SECTION 5
5202 208

NOTE:

- REFER TO GENERAL DEMOLITION NOTES DRAWING 1-0102-DAAA-AD01.
- COORDINATE DEMOLITION REQUIREMENTS WITH NEW CONSTRUCTION.

01

SECTIONS
NTS



APEGM
Certificate of Authorization
CH2M HILL Canada Ltd.
No. 1441

NO.	REVISIONS	DATE	DESIGN	CHECK
01	ISSUED FOR ADDENDUM 7 - 976-2016	2017/07/20	JBC	
00	ISSUED FOR CONSTRUCTION - 976-2016	2017/04/05	G.O. J.C.	

CH2MHILL
SNC-LAVALIN

DESIGNED BY: E. LUI
CHECKED BY: R. PARIKH

DRAWN BY: G. OMORI
APPROVED BY: H.T. FREIHAMMER

SCALE: NTS
ISSUED FOR CONSTRUCTION BY: J. SHUMKA

DATE: 2017/04/05
DATE: 2017/04/05

CONSULTANT NO.: 474248

ENGINEER'S SEAL

JULY 24, 2017

PROVINCE OF MANITOBA
LUI
Member
37003
REGISTERED PROFESSIONAL ENGINEER

SEALING ARCHITECT OR ENGINEER ACCEPTS RESPONSIBILITY ONLY FOR AREAS IDENTIFIED BY CLOUDING ON THIS DRAWING.

NOTE: THIS DRAWING SUPERSEDES DRAWING SEP-32

THE CITY OF WINNIPEG
Winnipeg
WATER AND WASTE DEPARTMENT

SOUTH END WATER POLLUTION CONTROL CENTRE
SEWPPC UPGRADING/EXPANSION PROJECT
STRUCTURAL
PUMP AND SCREEN BUILDING
SECTIONS

CITY DRAWING NUMBER: 1-0102-SGAD-GD53
SHEET: 001
REV: 01
SIZE: A1