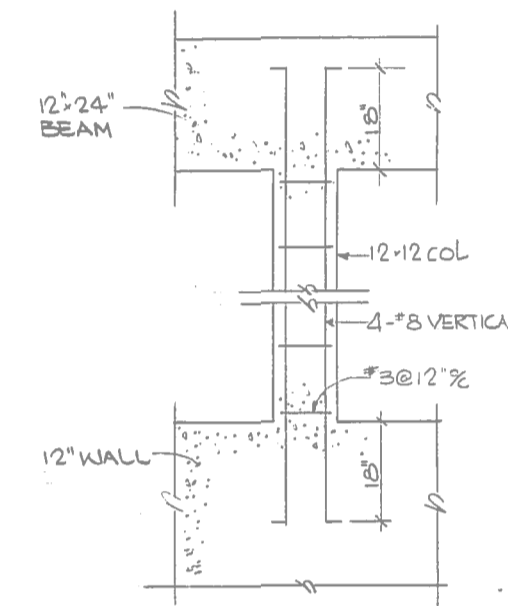
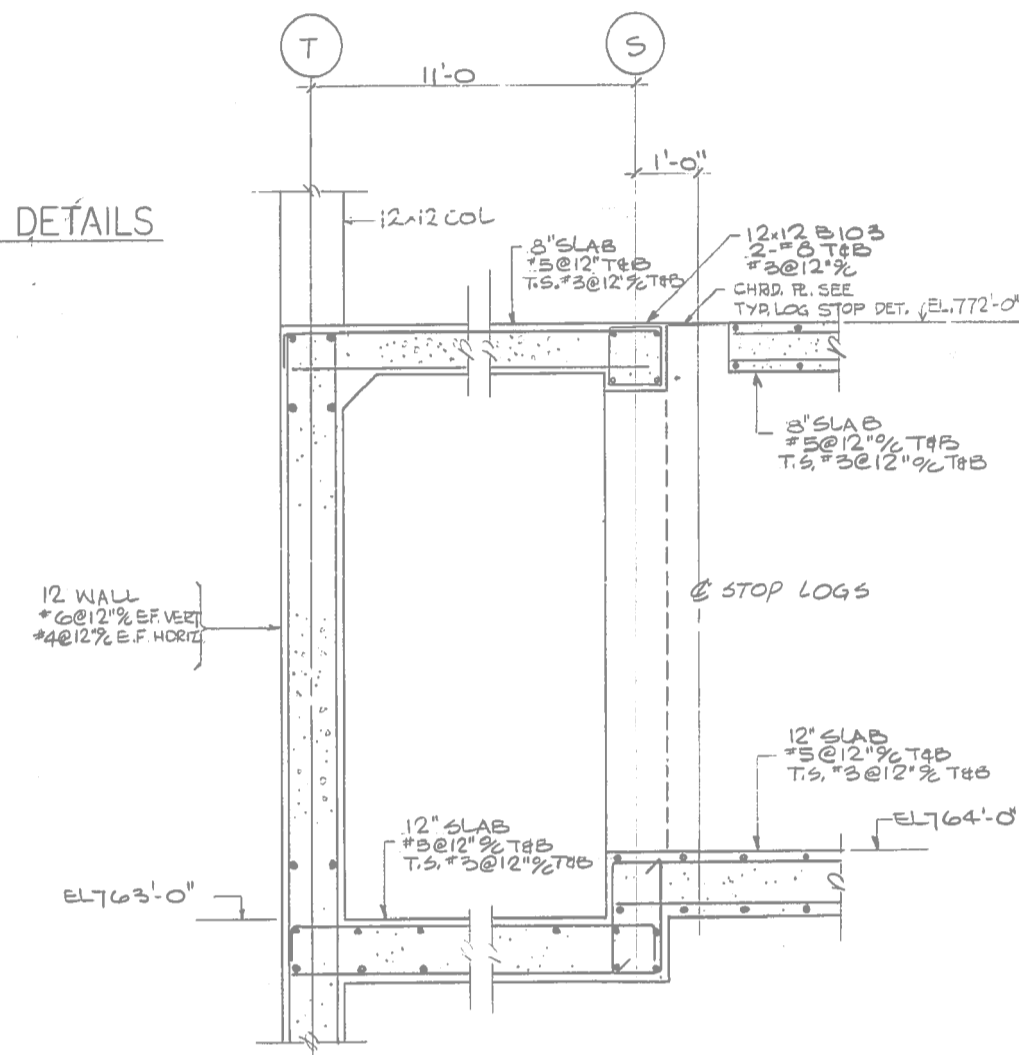


PRECAST ROOF CONNECTION DETAILS

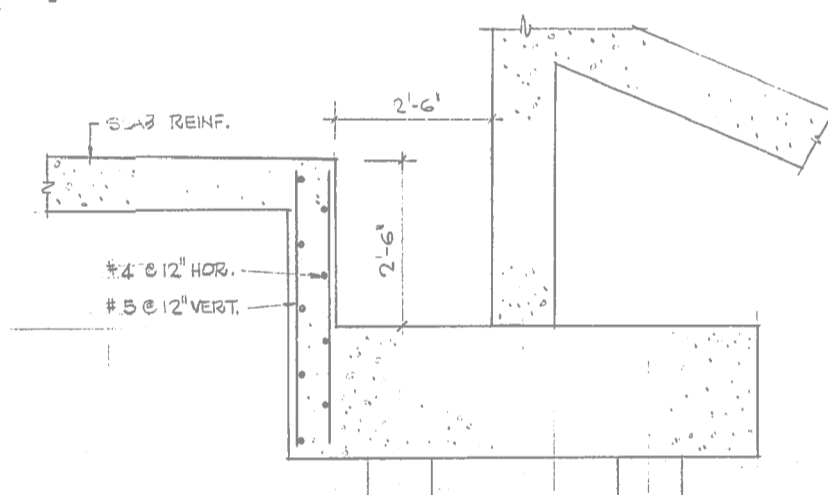


TYPICAL COLUMN REINFORCING DETAIL

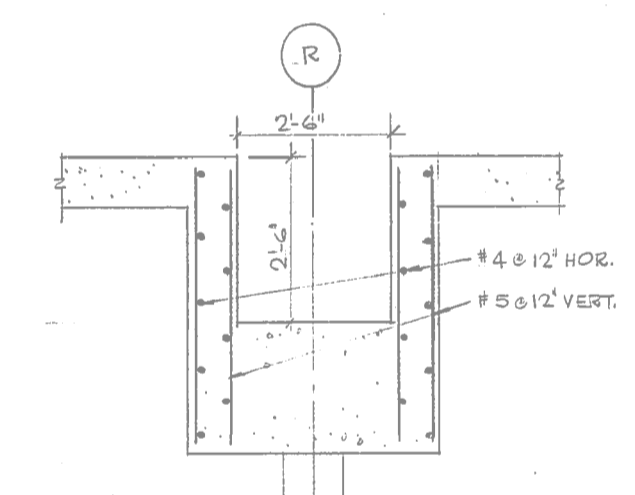
3 SECTION



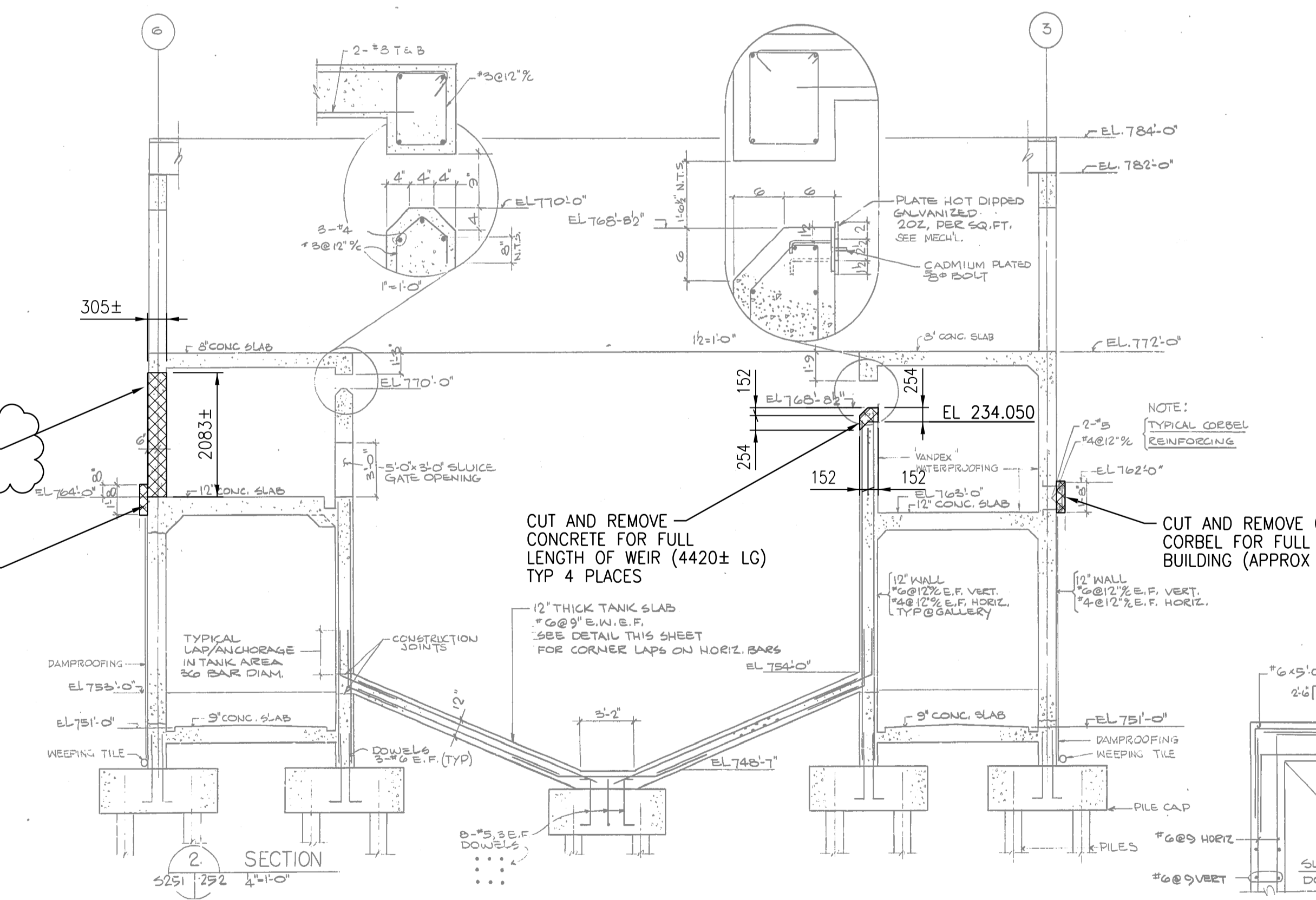
4 SECTION



5 SECTION



6 SECTION



SECTIONS AND DETAILS
NTS

- NOTE:
- REFER TO GENERAL DEMOLITION NOTES DRAWING 1-0102-DAAA-AD01
 - CONFIRMED ASBESTOS CONTAINING MATERIALS IN EXTERIOR WALL PLASTER. REFER TO ASBESTOS ABATEMENT SPECIFICATION FOR ABATEMENT PROCEDURES.
 - COORDINATE DEMOLITION REQUIREMENTS WITH NEW CONSTRUCTION.

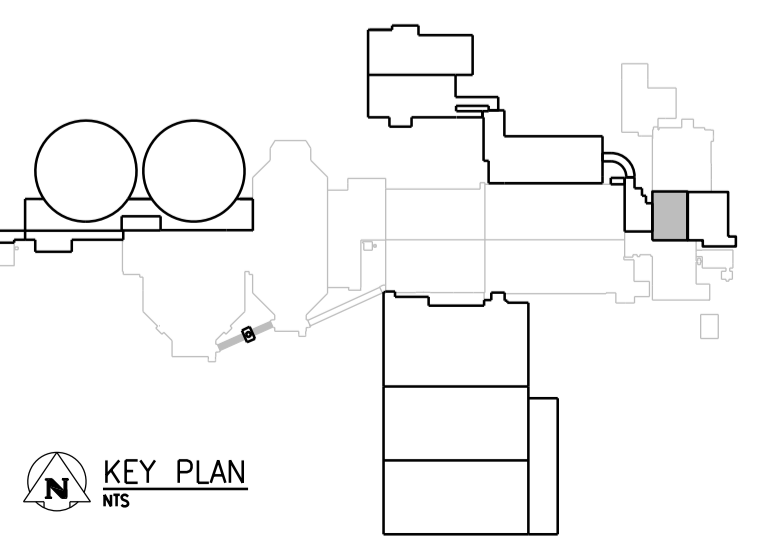
SEALING ARCHITECT OR ENGINEER ACCEPTS RESPONSIBILITY ONLY FOR AREAS IDENTIFIED BY CLOUDING ON THIS DRAWING.

NOTE: THIS DRAWING SUPERSEDES DRAWING SEP-38

THE CITY OF WINNIPEG
WATER AND WASTE DEPARTMENT

SOUTH END WATER POLLUTION CONTROL CENTRE
SEWPPC UPGRADING/EXPANSION PROJECT
STRUCTURAL
GRIT BUILDING
SECTIONS AND DETAILS

CITY DRAWING NUMBER: 1-0102-SGAD-GD50
SHEET: 03
REV: A1
SIZE: A1



APEGM
Certificate of Authorization
CH2M HILL Canada Ltd.
No. 1441

NO.	REVISIONS	DATE	DESIGN	CHECK
03	ISSUED FOR ADDENDUM 7 - 976-2016	2017/07/24	JBC	
02	ISSUED FOR CONSTRUCTION - 976-2016	2017/04/05	G.O. J.C.	
01	ISSUED FOR CONSTRUCTION	10/2015	G.O. J.C.	
00	ISSUED FOR TENDER	08/2015	G.O. J.C.	

CH2MHILL
SNC-LAVALIN

DESIGNED BY: E. LUI
CHECKED BY: R. PARIKH

DRAWN BY: G. OMORI
APPROVED BY: H.T. FREIHAMMER

SCALE: NTS
ISSUED FOR CONSTRUCTION

DATE: 2017/04/05
DATE: 2017/04/05

CONSULTANT NO.: 474248

ENGINEER'S SEAL

JULY 24, 2017

PROVINCE OF MANITOBA
REGISTERED PROFESSIONAL ENGINEER
LUI
Member
37003