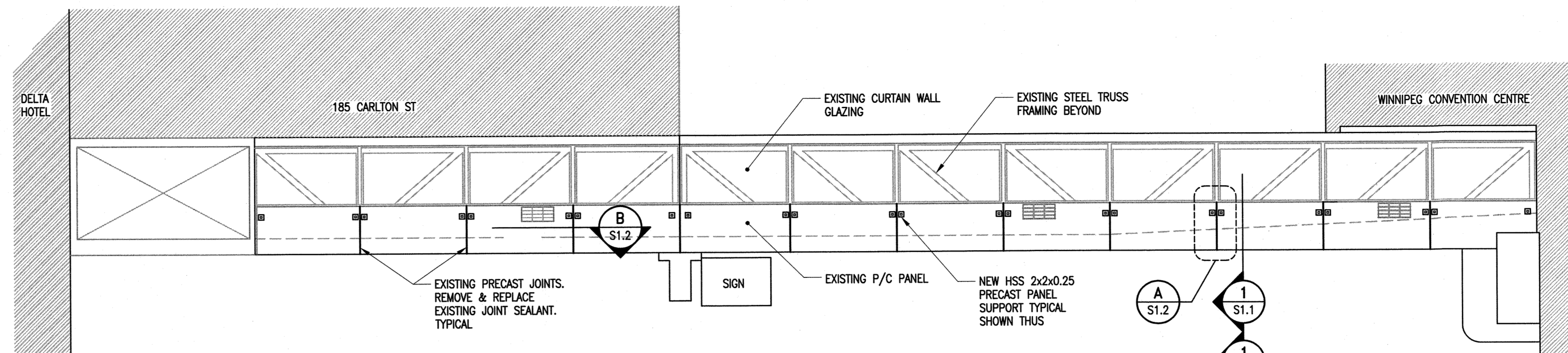
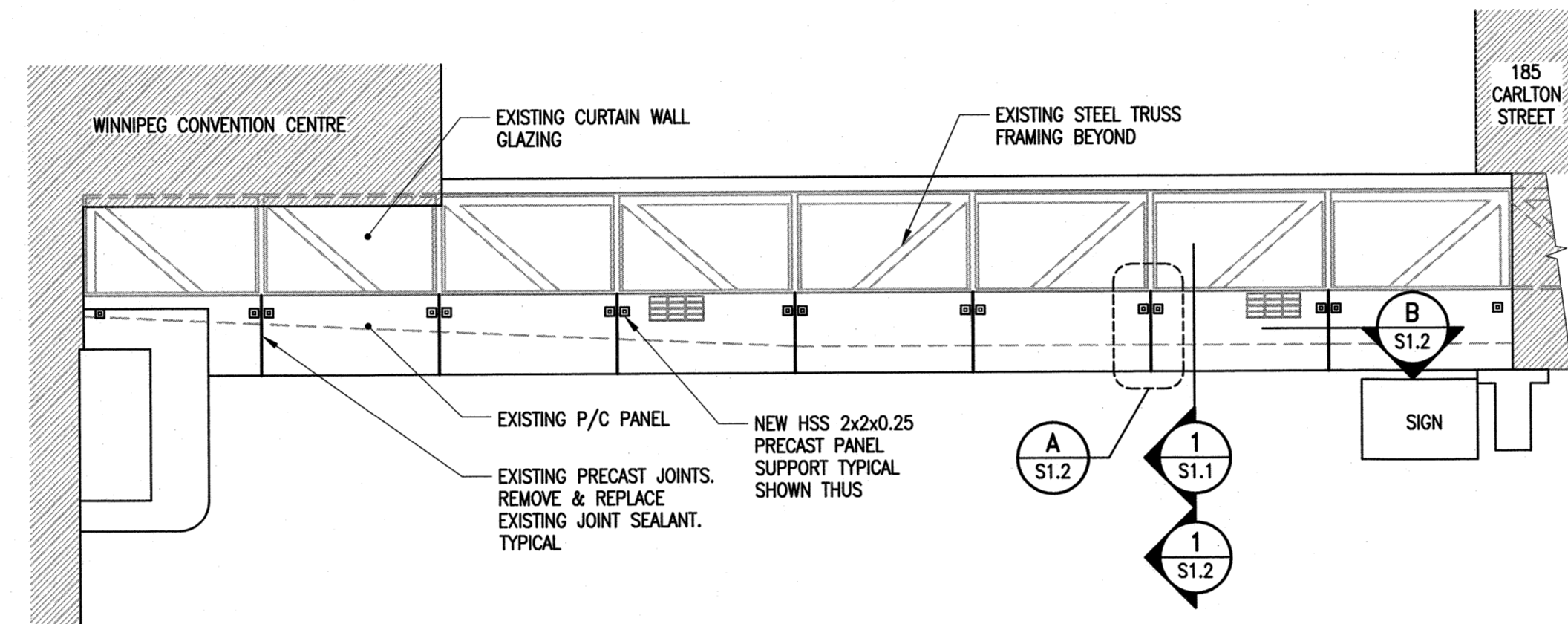


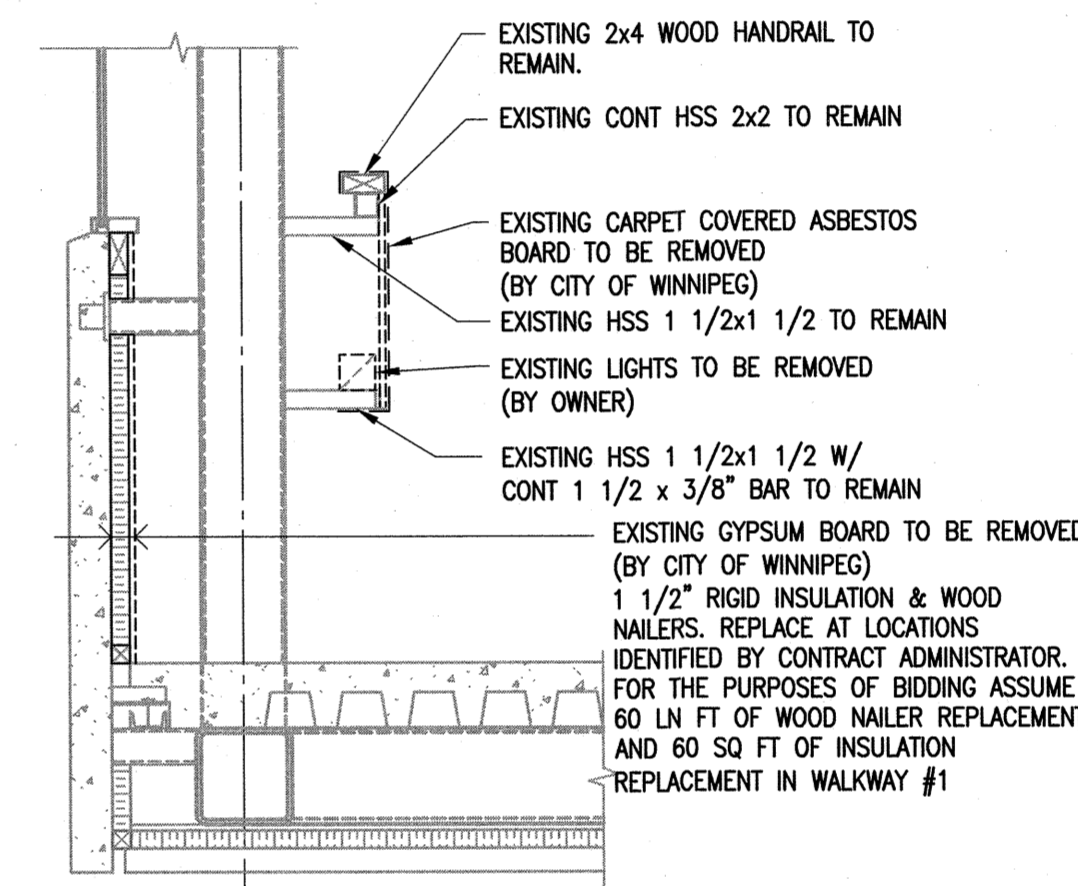
SITE PLAN
1/64" = 1'-0"



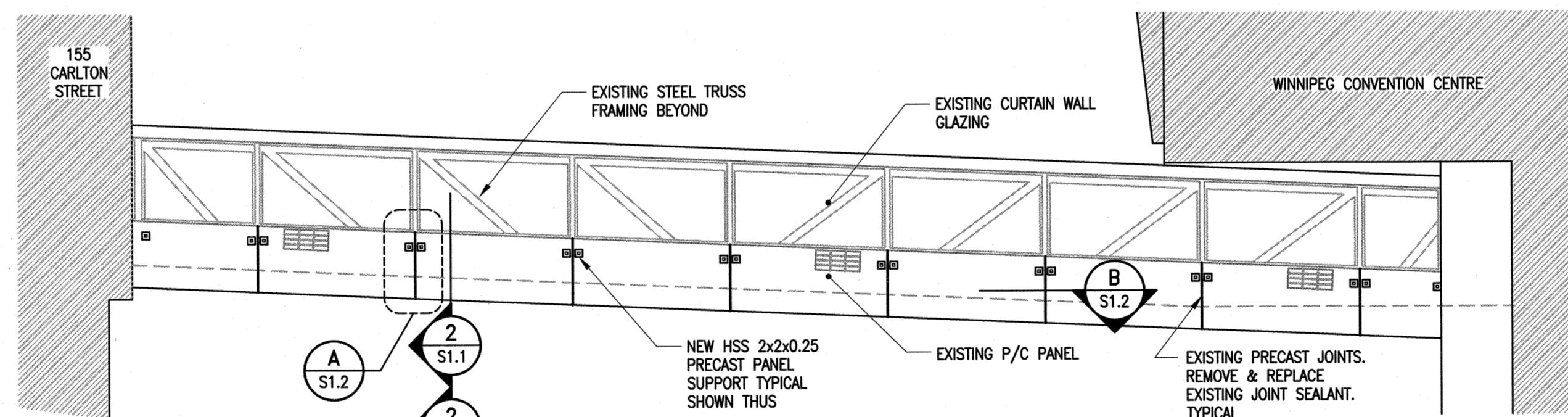
1 NORTH ELEVATION WALKWAY #1
S1.1 1/8" = 1'-0"



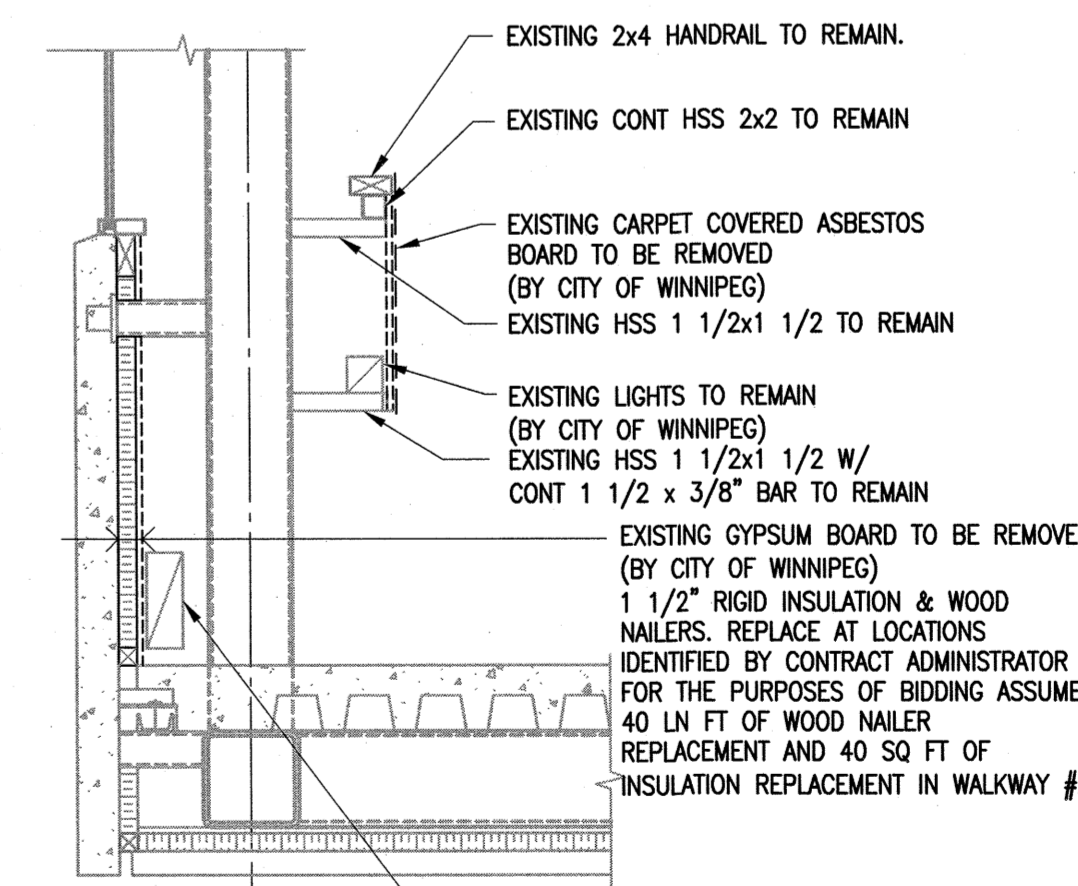
2 SOUTH ELEVATION WALKWAY #1
S1.1 1/8" = 1'-0"



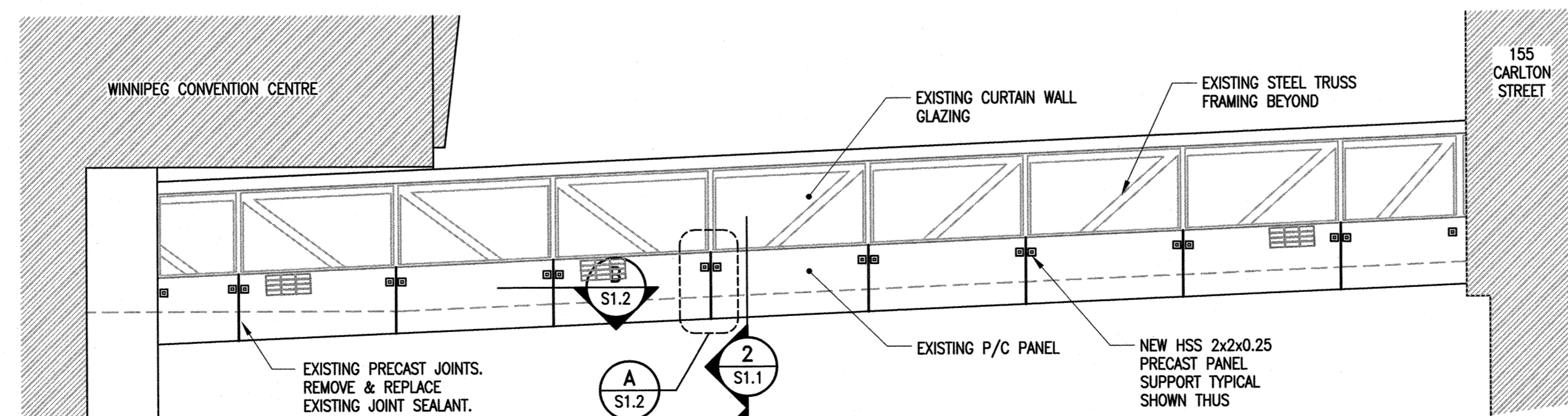
1 SECTION (DEMOLITION)
S1.1 3/4" = 1'-0" WALKWAY #1



3 NORTH ELEVATION WALKWAY #2
S1.1 1/8" = 1'-0"



2 SECTION (DEMOLITION)
S1.1 3/4" = 1'-0" WALKWAY #2



4 SOUTH ELEVATION WALKWAY #2
S1.1 1/8" = 1'-0"

GENERAL NOTES

- STRUCTURAL DESIGN BASED ON THE MANITOBA BUILDING CODE OF CANADA 2011 EDITION.
 - IMPORTANCE CATEGORY: NORMAL
 - DEAD LOAD: 1,250 LBS. PER ANCHOR
 - WIND LOAD: Q50 = 9.4 P.S.F.
- SEISMIC SITE CLASSIFICATION: NOT APPLICABLE
- DO NOT SCALE DRAWINGS.
- ALL DIMENSIONS AND EXISTING CONDITIONS ARE TO BE VERIFIED ON SITE PRIOR TO CONSTRUCTION.
- THESE STRUCTURAL DRAWINGS SHOW THE COMPLETED STRUCTURE AND DO NOT INDICATE ALL COMPONENTS NECESSARY FOR SAFETY DURING CONSTRUCTION. THE CONTRACTOR SHALL BE SOLELY RESPONSIBLE FOR SAFETY ON AND AROUND THE JOBSITE DURING CONSTRUCTION.

STRUCTURAL STEEL

- STRUCTURAL STEEL TO CONFORM TO CSA-G40.21, "STRUCTURAL QUALITY STEELS" AND CSA-G40.20 "GENERAL REQUIREMENTS FOR ROLLED OR WELDED STRUCTURAL QUALITY STEEL". ALL ROLLED OR STEEL STRUCTURAL SECTIONS SHALL BE G40.21-350W. ALL HOLLOW STRUCTURAL SECTIONS TO BE G40.21-350W CLASS C OR ASTM A500-C. ALL PLATES SHALL BE G40.21-300W.
- ALL WELDING SHALL CONFORM TO THE LATEST EDITION OF CSA W59, "WELDED STEEL CONSTRUCTION". FABRICATORS SHALL BE PROPERLY CERTIFIED IN ACCORDANCE WITH CSA W47.1, "CERTIFICATION OF COMPANIES FOR FUSION WELDING OF STEEL STRUCTURES". ALL WELDS TO BE MINIMUM 3/16 INCH FILETS UNLESS OTHERWISE NOTED ON DRAWINGS. STABILIZATION ANCHORS TO RECEIVE ONE COAT OF DIRECT-TO-METAL POLYASPARTIC URETHANE COATING. STEEL TO BE CLEANED IN CONFORMANCE WITH SSPC-SP6/NACE 3.

The Contractor shall check and verify all dimensions and report any errors or omissions to the contract administrator.

No.	Date	Issue/Revision	By
0	2016-09-19	ISSUED FOR CONSTRUCTION	DJM



Consultant
Winnipeg
THE CITY OF WINNIPEG
PLANNING, PROPERTY AND
DEVELOPMENT DEPARTMENT
MUNICIPAL ACCOMMODATIONS
DIVISION
3-65 GARRY STREET, R3C 4K4

CITY OF WINNIPEG BID OPP #822-2016
CITY OF WINNIPEG PROJECT #2016-053

300-275 Carlton Street
Winnipeg, Manitoba R3C 5R6
T 204. 943. 7501
F 204. 943. 7507

Crosier Kilgour & Partners Ltd.
CONSULTING STRUCTURAL ENGINEERS

Project
**CARLTON STREET
PROTECTED WALKWAYS
PRECAST PANEL STABILIZATION**

WINNIPEG, MANITOBA

Sheet Title
**ELEVATIONS, DEMOLITION SECTIONS
AND NOTES**

File	Date
2016-0603	2016-09-19
Design	Drawn
DJM	JLP
Revision	Sheet No.
0	S1.1