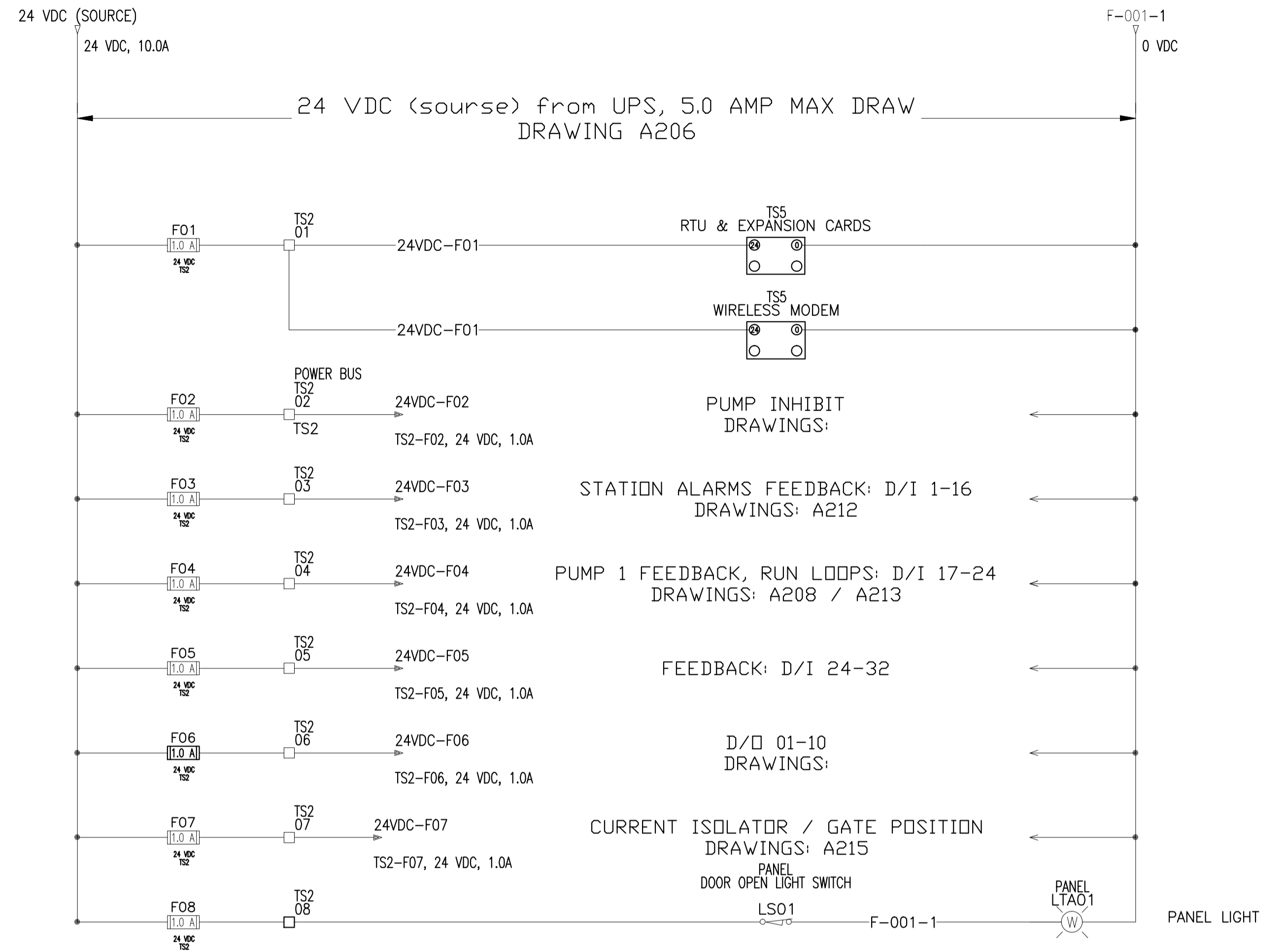
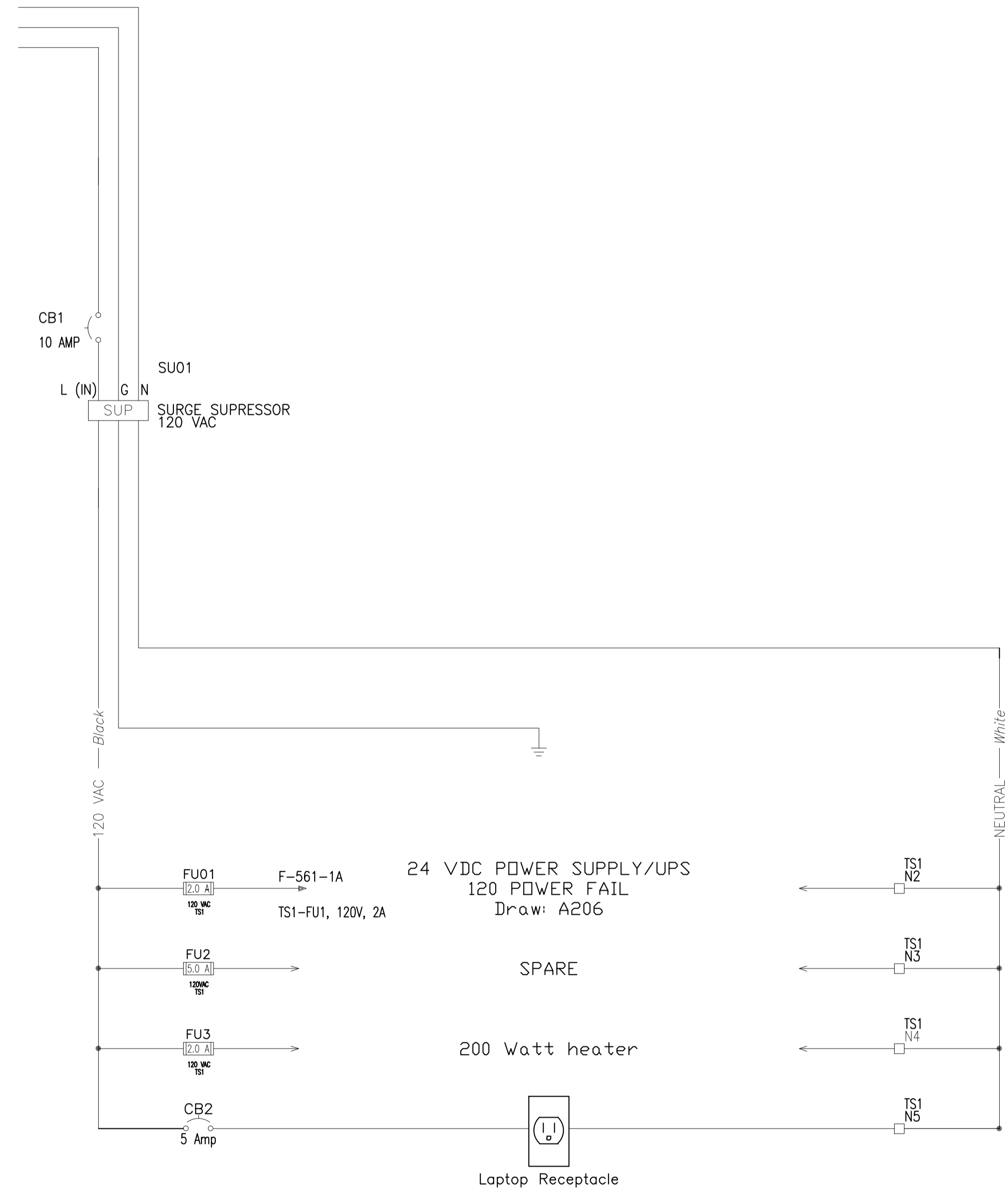


120 VAC, 15 A  
Panel 1, CCT.?



Sep 13, 2016 - 1:38pm  
 C:\Users\32016\Documents\Autodesk\WSP\working\_drawing\sheet\sheet1-2page 2.dwg -Tab:E-1

NOTE:  
These design documents are prepared solely for the use by the party with whom the design professional has entered into a contract and there are no representations of any kind made by the design professional to any party with whom the design professional has not entered into a contract.

**METRIC**  
WHOLE NUMBERS INDICATE MILLIMETRES  
DECIMALIZED NUMBERS INDICATE METRES



NO.	REVISIONS	DATE	BY
1	ISSUED FOR TENDER	09/07/16	HP

**WSP | MMM GROUP**  
1600 BUFFALO PLACE, WINNIPEG, MANITOBA CANADA R3T 6B8  
PHONE: 204-477-6650 FAX: 204-474-2864 WWW.WSPGROUP.COM

DESIGNED BY	DG	CHECKED BY	HP
DRAWN BY	DG	APPROVED BY	HP
HOR. SCALE	AS NOTED	RELEASED FOR CONSTRUCTION	
VERTICAL	AS NOTED		
DATE	2016/09/07	DATE	

ENGINEER'S SEAL  
PROVINCE OF MANITOBA  
09/07/2016  
H.N. PROCYSHYN  
MEMBER 4055  
REGISTERED PROFESSIONAL ENGINEER

BID OPPORTUNITY: 789-2016  
PLOT DATE: 2016/09/07

**THE CITY OF WINNIPEG**  
WATER AND WASTE DEPARTMENT

OUTFALL GATE CHAMBER UPGRADES  
RUBY STREET  
SRS OUTFALL GATE CHAMBER

POWER AND FUSE DISTRIBUTION

CONSULTANT DRAWING NUMBER	5516047 - 102
SHEET OF	18 OF 34
CITY DRAWING NUMBER	LD-7939