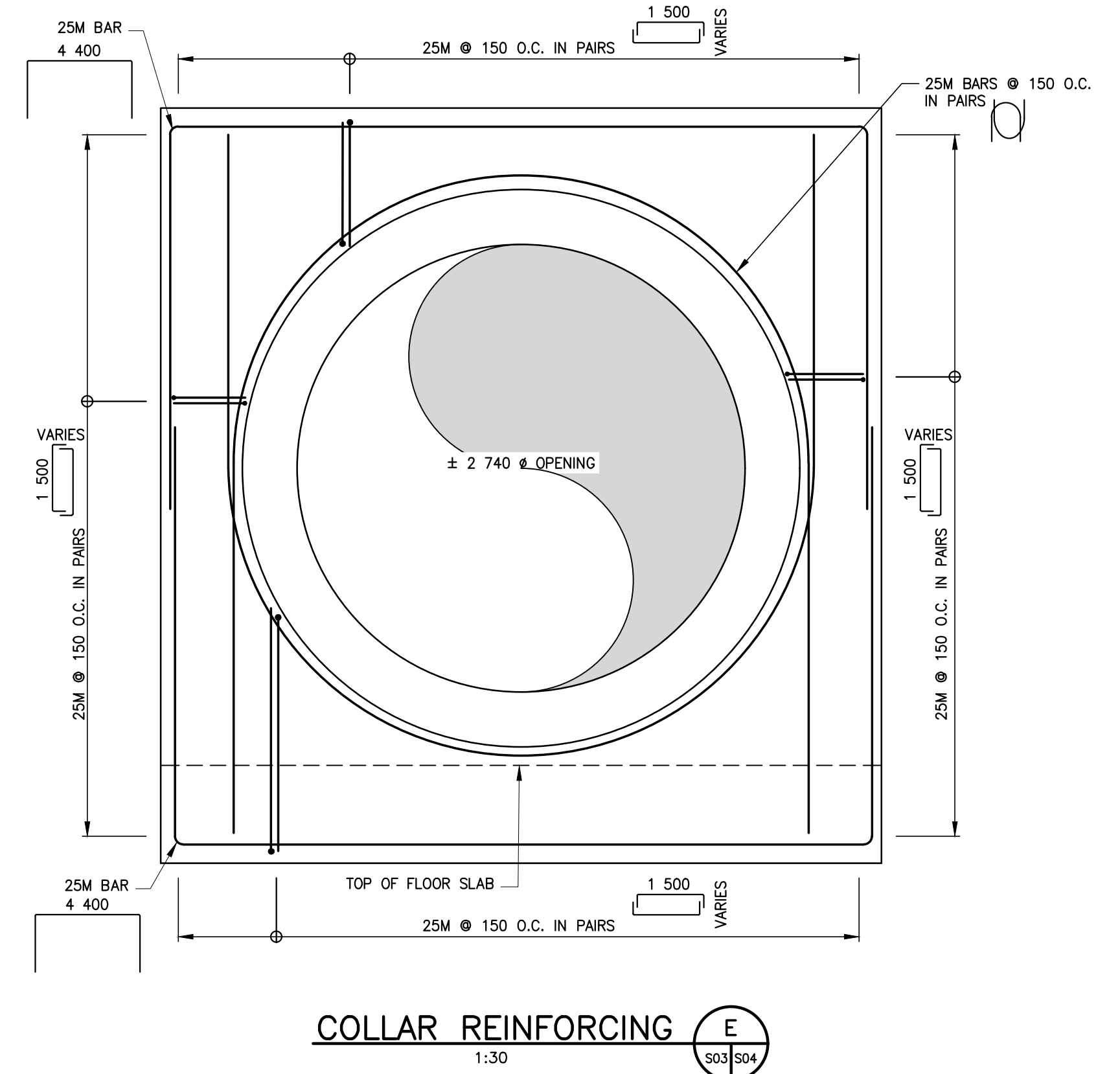
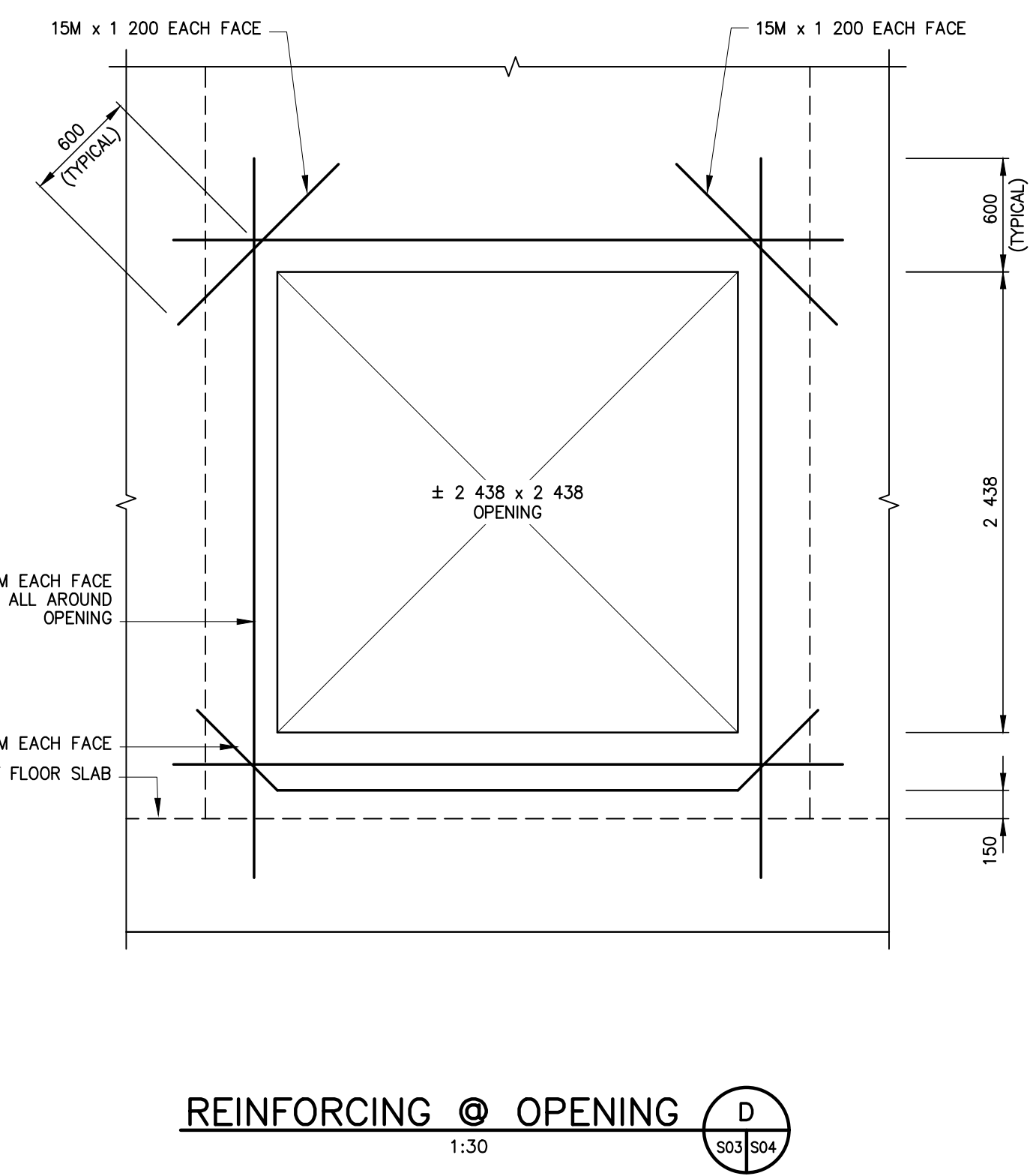
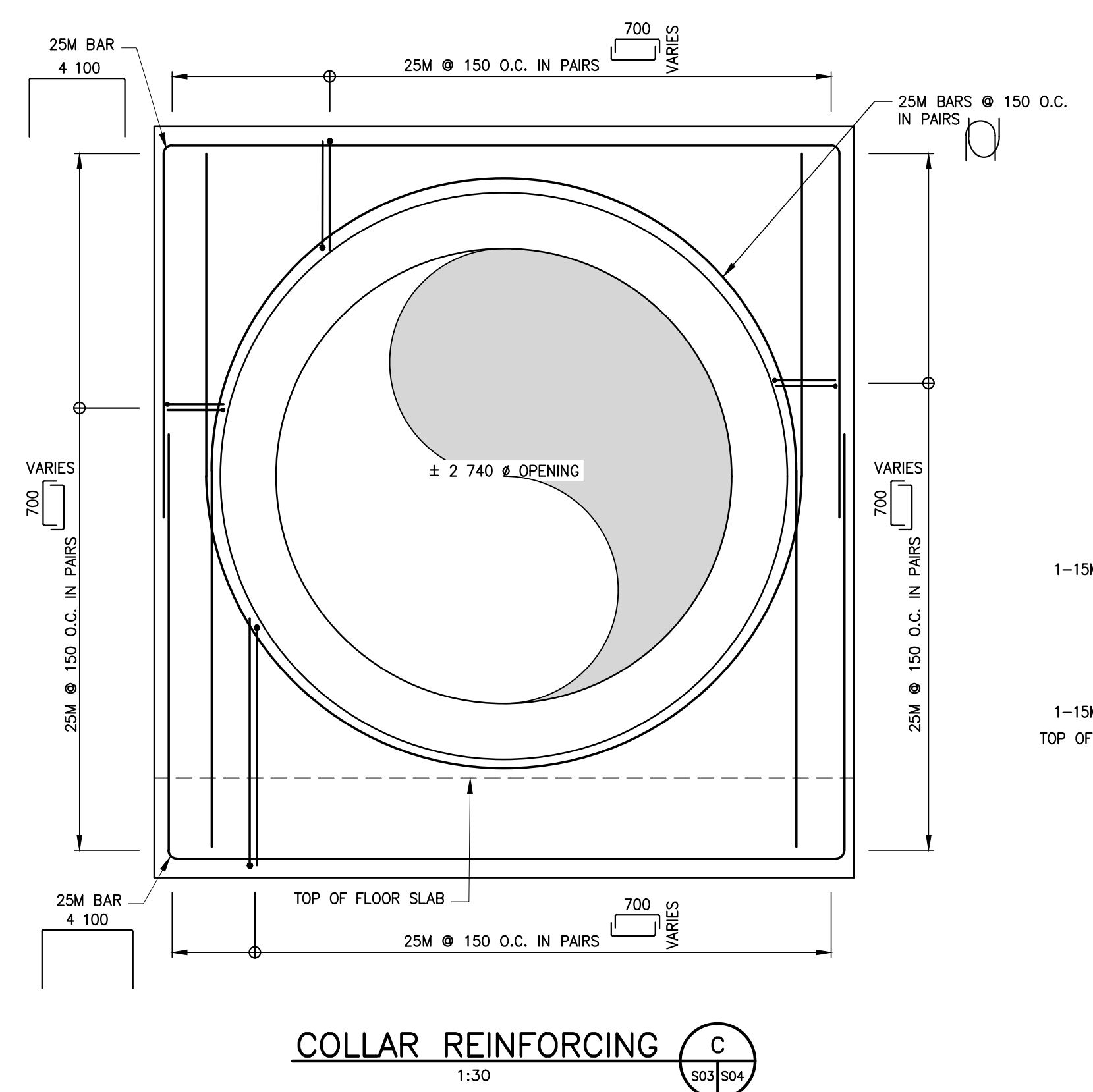
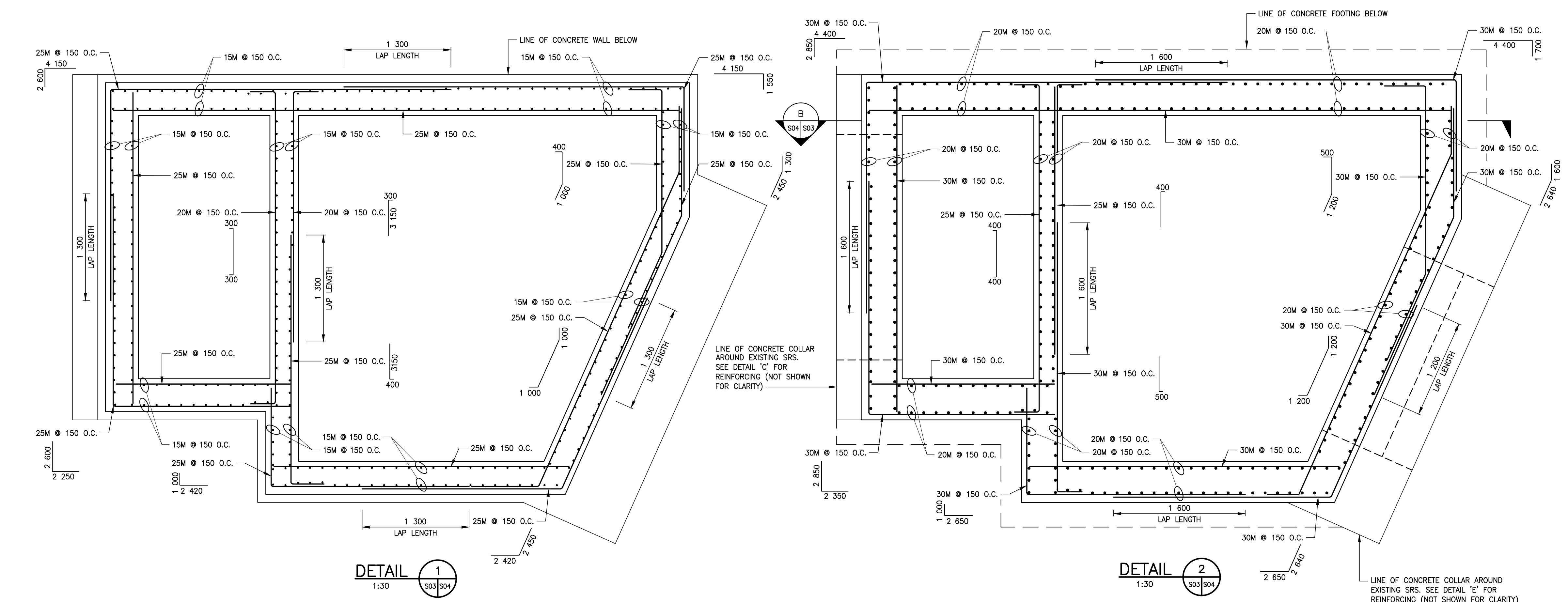
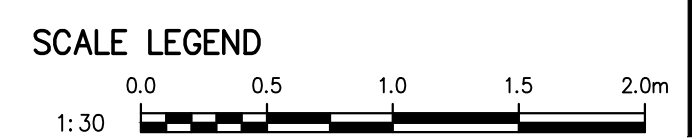


Sep 13, 2016 - 3:12pm  
 C:\Users\mmmm\Documents\Drawings\MMM Drawings\5516047 DD Gate Chambers - Ruby Chamber Upgrade\5516047 DD Gate Chambers - Ruby Chamber Upgrade - Hub New Chamber - Reinforcing details (sheet 2 of 2)



NOTE:  
 FOR REINFORCING DETAILS 'C', 'D', & 'E', WALL & SLAB REINFORCING NOT SHOWN FOR CLARITY



**METRIC**  
 WHOLE NUMBERS INDICATE MILLIMETRES  
 DECIMALIZED NUMBERS INDICATE METRES

**APCGM**  
 Certificate of Authorization  
 MMM Group Limited  
 No. 4531

G.E.M.			
ELEV.			
DESIGNED BY	BB/MRI	CHECKED BY	EH
DRAWN BY	KD	APPROVED BY	JPL
HOR. SCALE	AS NOTED	RELEASED FOR CONSTRUCTION	
VERTICAL	AS NOTED		
1 ISSUED FOR TENDER	13/09/16	MRI	
NO. REVISIONS	DATE	BY	DATE
			13/09/2016

**MMM GROUP**

MMM Group Limited  
 Suite 111 - 93 Lombard Ave.  
 Winnipeg, MB R3B 3B1  
 t. 204.943.3178  
 f. 204.943.4948  
 www.mmm.ca

DESIGNED BY: BB/MRI  
 CHECKED BY: EH  
 DRAWN BY: KD  
 APPROVED BY: JPL  
 HOR. SCALE: AS NOTED  
 VERTICAL: AS NOTED  
 RELEASED FOR CONSTRUCTION: [ ]  
 DATE: 13/09/2016

ENGINEER'S SEAL

PREVIOUS OF MANITOBA  
 M. R.  
 ISLAM  
 Member  
 36041

REGISTERED PROFESSIONAL ENGINEER

BID OPPORTUNITY: 789-2016  
 PLOT DATE: 13/09/2016

**THE CITY OF WINNIPEG**  
 WATER AND WASTE DEPARTMENT

Winnipeg

OUTFALL GATE CHAMBER UPGRADES  
 RUBY STREET  
 SRS OUTFALL GATE CHAMBER

REINFORCING DETAILS (SHEET 2 OF 2)

CONSULTANT DRAWING NUMBER: 5516047 - S04  
 SHEET 8 OF 34  
 CITY DRAWING NUMBER: LD-7929