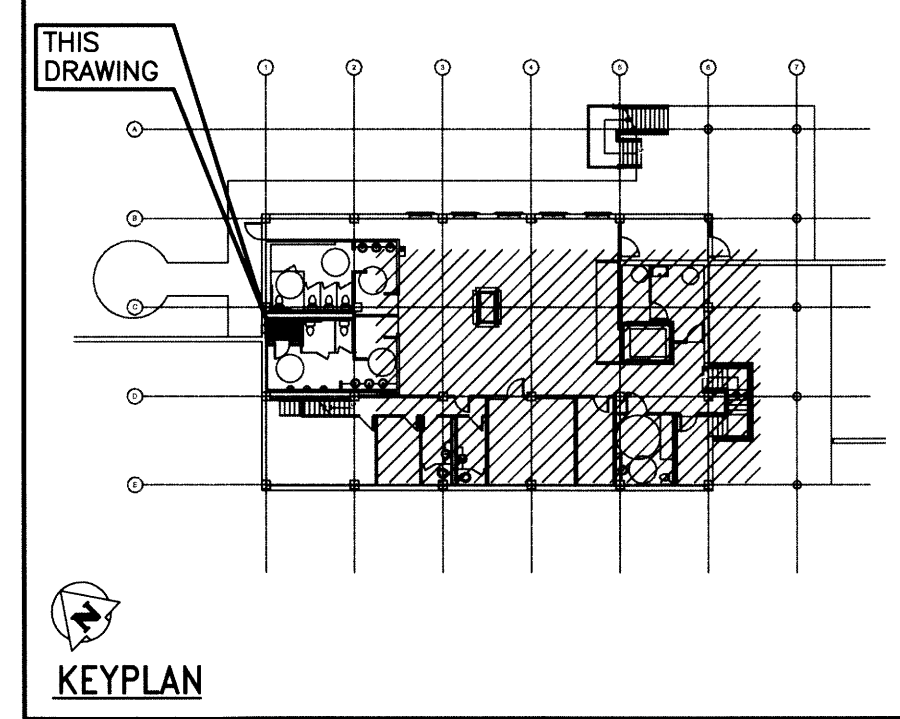
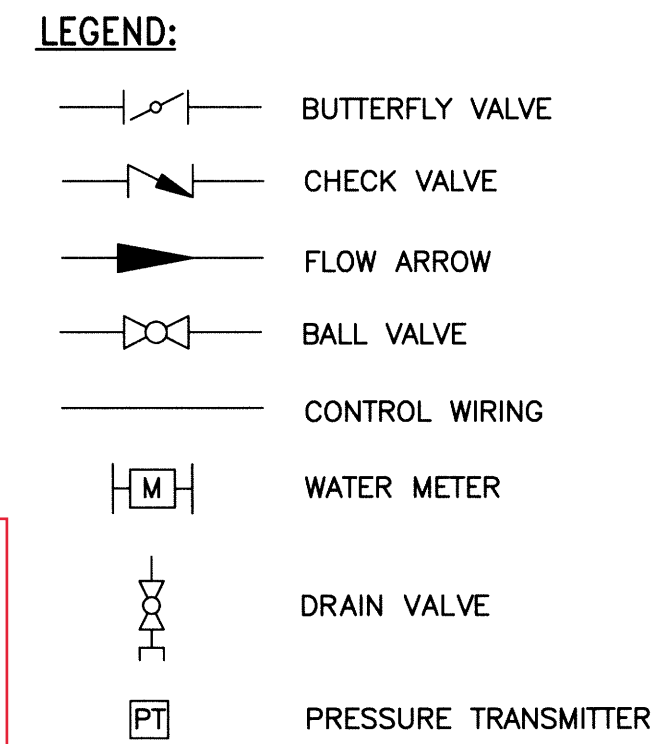


1 JANITOR ROOM FLOOR PLAN
SCALE: 1:10mm (24"x36")
1:20mm (11"x17")

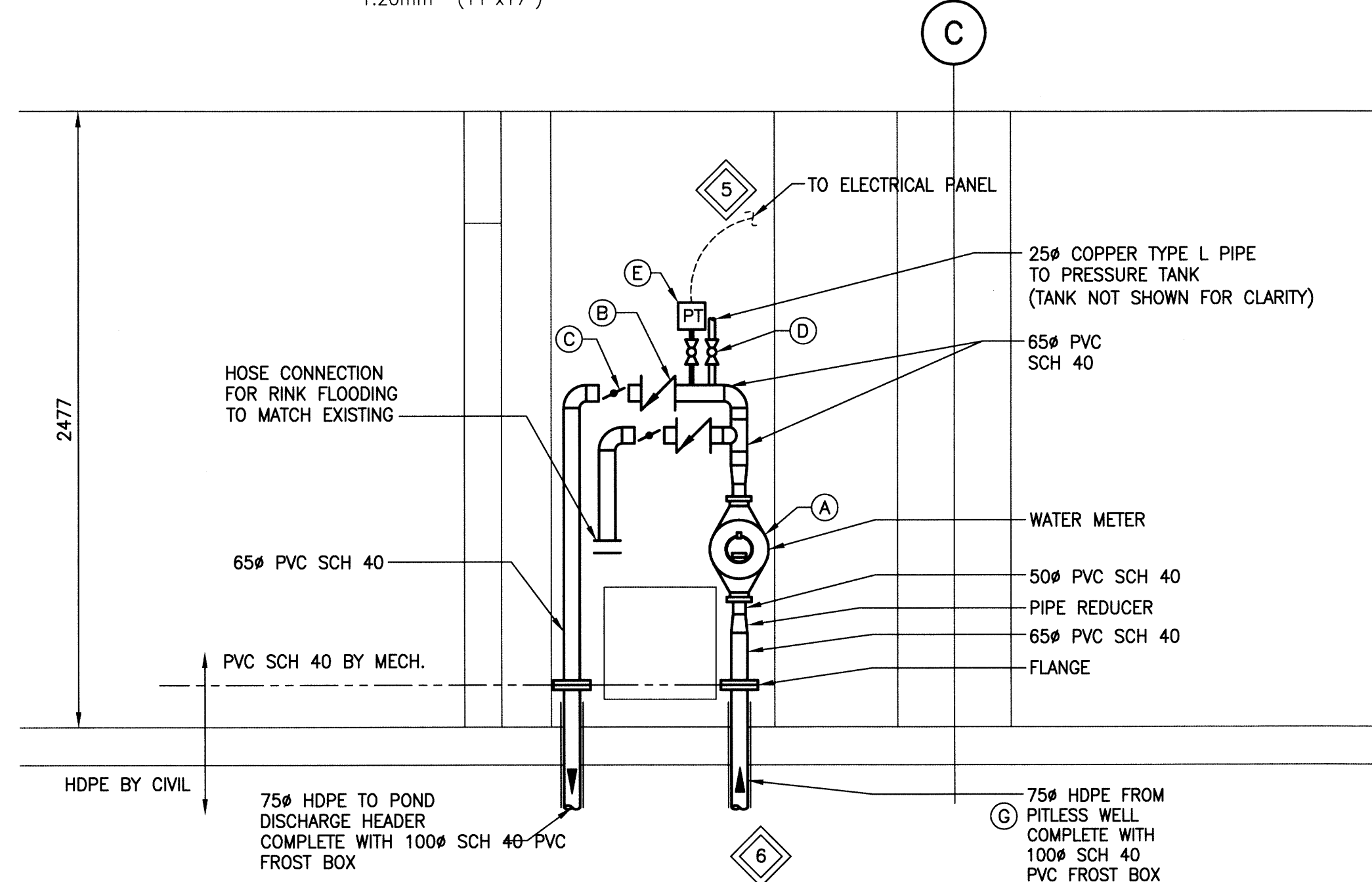
THIS DRAWING IS FOR REFERENCE ONLY

- EQUIPMENT SPECIFICATIONS:**
- (A) - WATER METER, NUTATING DISC MEASURING CHAMBER, ANSI/NSF 61 CERTIFIED, NO LEAD MAINCASE, 2" METER WITH OPERATING RANGE FROM 2.5 TO 160 USGPM (0.57 TO 36.36 CUBIC METER/H), MAXIMUM OPERATING PRESSURE OF 150 PSI, DIRECT READING REGISTER WITH COVER, REGISTER TO MEASURE IN CUBIC METERS, 3 PSI PRESSURE LOSS AT 90 GPM, 'NEPTUNE' MODEL T-10
 - (B) - FLOMATIC 2.5" WAFER CHECK VALVE, CI BODY W/ EPOXY COATING, CLASS 125/250, BRONZE TRIM, RUBBER SEAT SEAL
 - (C) - BI-TORQ 2.5" LUG BUTTERFLY VALVE, CI BODY, SS DISC & STEM, EPDM SEAT, 10-POS LEVER HANDLE
 - (D) - BI-TORQ 1" SS 2PC BALL VALVE, FULL PORT, NPT ENDS, RTFE SEATS, TFE SEALS, 1000 WOG, ISO 5211 (F03-F04) MOUNTING PAD, C/W LEVER HANDLE
 - (E) - AUTROL GAUGE PRESSURE TRANSMITTER, CELL RANGE -14.5-217.5 PSIG, 316SS MATERIALS (FLANGE/ADAPTER/DRAIN/VENT/DIAPHRAGM), FM/FMC XP (US/CND) CL 1/1/1/1, DIV 1/1, SILICONE DC200, 1/2" NPT PROCESS AND CONDUIT CONNECTION, LCD INDICATOR, 4-20MA OUTPUT
 - (F) - 10 GALLON WELL TANK, BLADDER TYPE BUTYL RUBBER, 15" DIA. FACTORY PRE-CHARGE 38 PSIG, 1" NPT CONNECTION, 'AMTROL' WX-104
 - (G) - WELL PUMP, 4 INCH 3HP MOTOR ON VFD, 90 PSIG SHUTOFF HEAD, 95 GPM @ 125 FEET, 575V 3PH, 2" PUMP OUTLET 'GRUNDFOS' MODEL 75S30-5 REFER TO DRAWING C01 FOR WELL LOCATION. PUMP TO BE SUPPLIED AND INSTALLED BY CERTIFIED WELL TECHNICIAN.

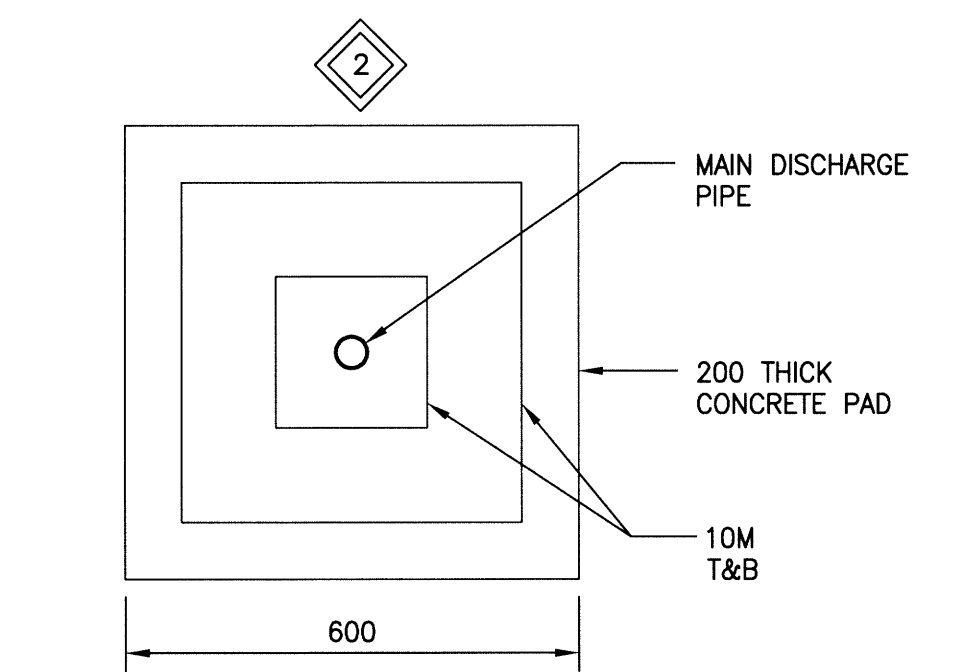


- GENERAL NOTES:**
1. CONFORM TO CANADIAN PLUMBING CODE AND ALL LOCAL CODES AND AUTHORITY HAVING JURISDICTION FOR DESIGN, SUPPLY AND INSTALLATION OF PLUMBING AND VENT SYSTEM. VENT CONCEALED INSIDE WALLS ACCORDING TO CODE. MINIMIZE ROOF PENETRATIONS.
 2. EQUIPMENT LOCATIONS AND PIPE ROUTING INDICATED ON THE DRAWINGS IS APPROXIMATE ONLY. CONFIRM IN THE FIELD. REROUTE PIPING AS REQUIRED TO ELIMINATE FIELD INTERFERENCES, WITH BUILDING STRUCTURES, ELECTRICAL, ETC.. CONFIRM CHANGES WITH CONSULTANT. CO-ORDINATE WORK WITH ALL SUBTRADES. WHERE DIMENSIONS ARE INDICATED FOR PIPING EQUIPMENT SIZES, ETC. THESE ARE FOR BIDDING PURPOSES ONLY. THE CONTRACTOR IS RESPONSIBLE TO VERIFY ALL DIMENSIONS IN THE FIELD PRIOR TO ORDERING EQUIPMENT AND COMMENCING INSTALLATION WITHOUT EXTRA CHARGES TO THE PROJECT. THE CONTRACTOR IS RESPONSIBLE TO ENSURE ALL EQUIPMENT, DUCTWORK AND PIPING FITS IN THE SPACE AVAILABLE AND TO MAINTAIN THE GENERAL DESIGN INTENT FOR THE SYSTEMS.
 3. PROVIDE ALL CUTTING AND PATCHING REQUIRED FOR NEW PIPING. FINISH ALL PENETRATIONS AND MAKE GOOD.
 4. ALL EXISTING EQUIPMENT AND PIPING IN JANITOR ROOM TO REMAIN.

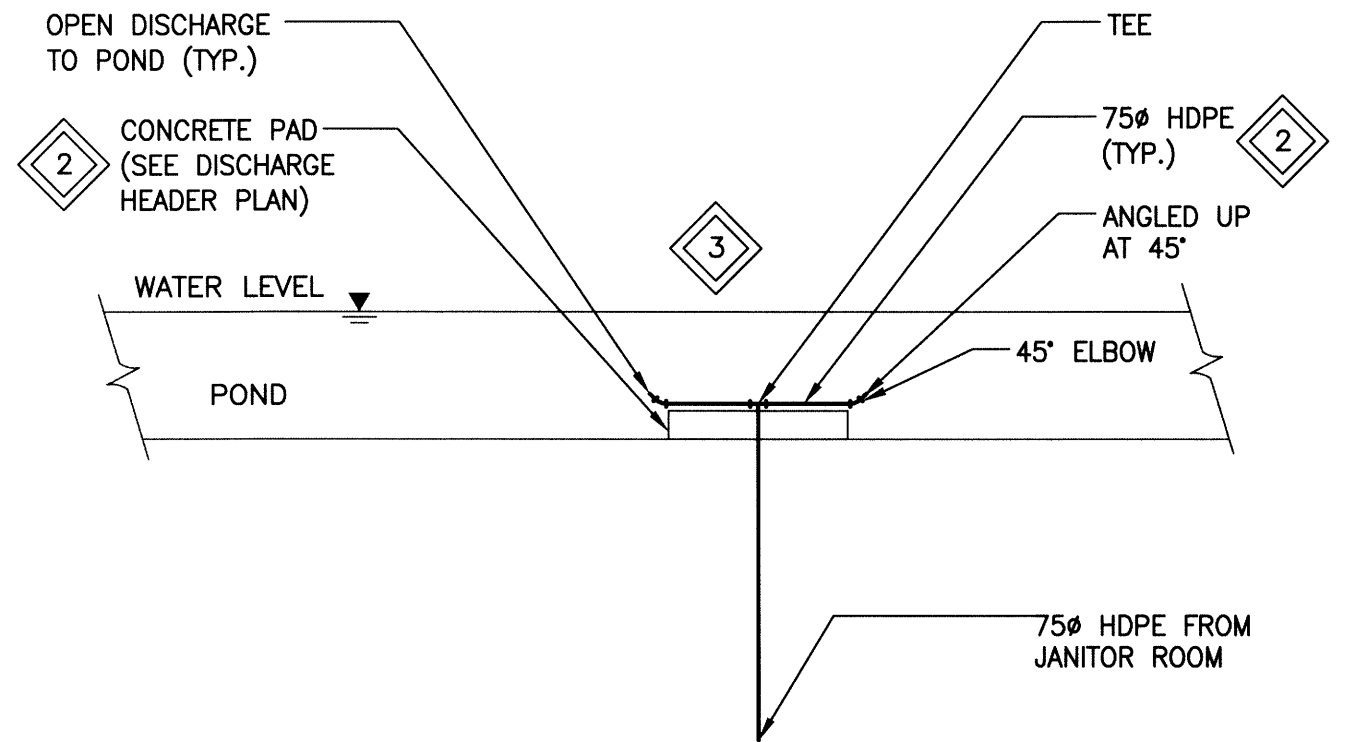
- KEYNOTES:**
1. PROVIDE AND INSTALL PIPING, WATER METER, VALVES AND ALL ATTACHED EQUIPMENT. PROVIDE AND INSTALL SUPPORT BRACKETS.
 2. PROVIDE DISCHARGE HEADER AND CONCRETE PAD IN POND. SECURE DISCHARGE PIPE TO CONCRETE PAD WITH STAINLESS STEEL STRAP. REFER TO CIVIL DRAWINGS C01 FOR LOCATION AND G02 SECTION F FOR MOUNTING DETAILS.
 3. CALIBRATE THE WELL PUMP, AND VFD. ADJUST VFD OUTPUT TO PROVIDE 80 GPM (0.30 m³/min) AT THE POND DISCHARGE HEADER.
 4. PROVIDE PRESSURE TANK AND SUPPORTS. TANK LOCATION IS FLEXIBLE, COORDINATE WITH OWNER FOR FINAL PLACEMENT.
 5. PROVIDE CONTROLS TO SHUT DOWN WELL PUMP WHEN PRESSURE TRANSMITTER READS ABOVE 60 PSI AND RESUME OPERATION BELOW 55 PSI.
 6. GROUNDWATER SUPPLY LINE TO BE HOOKED UP TO EXISTING GROUNDWATER WELL.



2 WATER METER/PIPING DETAIL
SCALE: 1:20mm (24"x36")
1:40mm (11"x17")



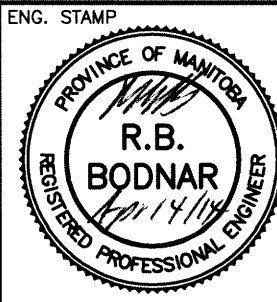
3 DISCHARGE HEADER PLAN
SCALE: 1:10mm (24"x36")
1:20mm (11"x17")



4 DISCHARGE HEADER
SCALE: N.T.S.

| | | | |
|---|-------------|-------------------|-------------|
| 0 | 14/04/14 | ISSUED FOR TENDER | |
| NO. | YY/MM/DD | DESCRIPTION | BY |
| | | REVISIONS / ISSUE | |
| CLIENT: | | | |
| SCATLUFF + MILLER + MURRAY Inc. | | | |
| PROJECT: | | | |
| PEGUIS PAVILION POND REDEVELOPMENT & LANDSCAPE RENOVATIONS | | | |
| DWG. DESCRIPTION: | | | |
| MECHANICAL PLANS, SECTIONS & DETAILS | | | |
| DESIGN BY: | DSO | DATE (YY/MM/DD): | 14/04/09 |
| DESIGN CHECK: | RLR | DATE: | Apr 14 / 14 |
| DRAWN BY: | RLR | DATE: | 14/04/09 |
| DWG. CHECK: | DSO | DATE: | 14/04/14 |
| DWG. NO.: | 13-0109-001 | M01 | 0 |

APEGM
Certificate of Authorization
KGS Group
No. 245



SCALE VERIFIED BY: *Dso*

File Name: P:\Projects\2013\13-0109-001\Doc\Control\Tobelausad\DWG\13-0109-001_M01-Rev 0.dwg - Tab: M01 Plotted By: Dierche 14/04/14 [Mon 11:39am] 24x36 PLOT SCALE: LAN