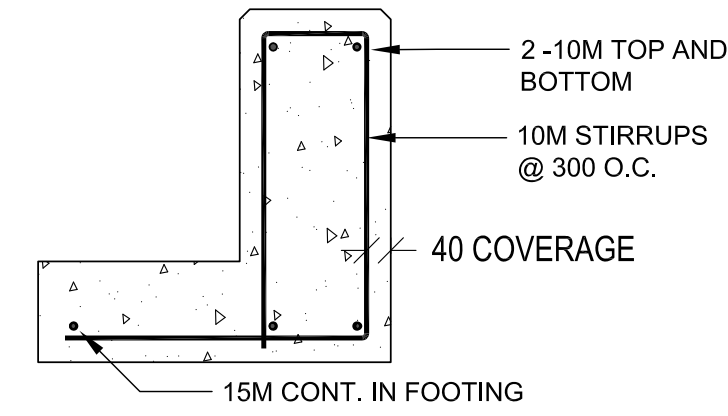
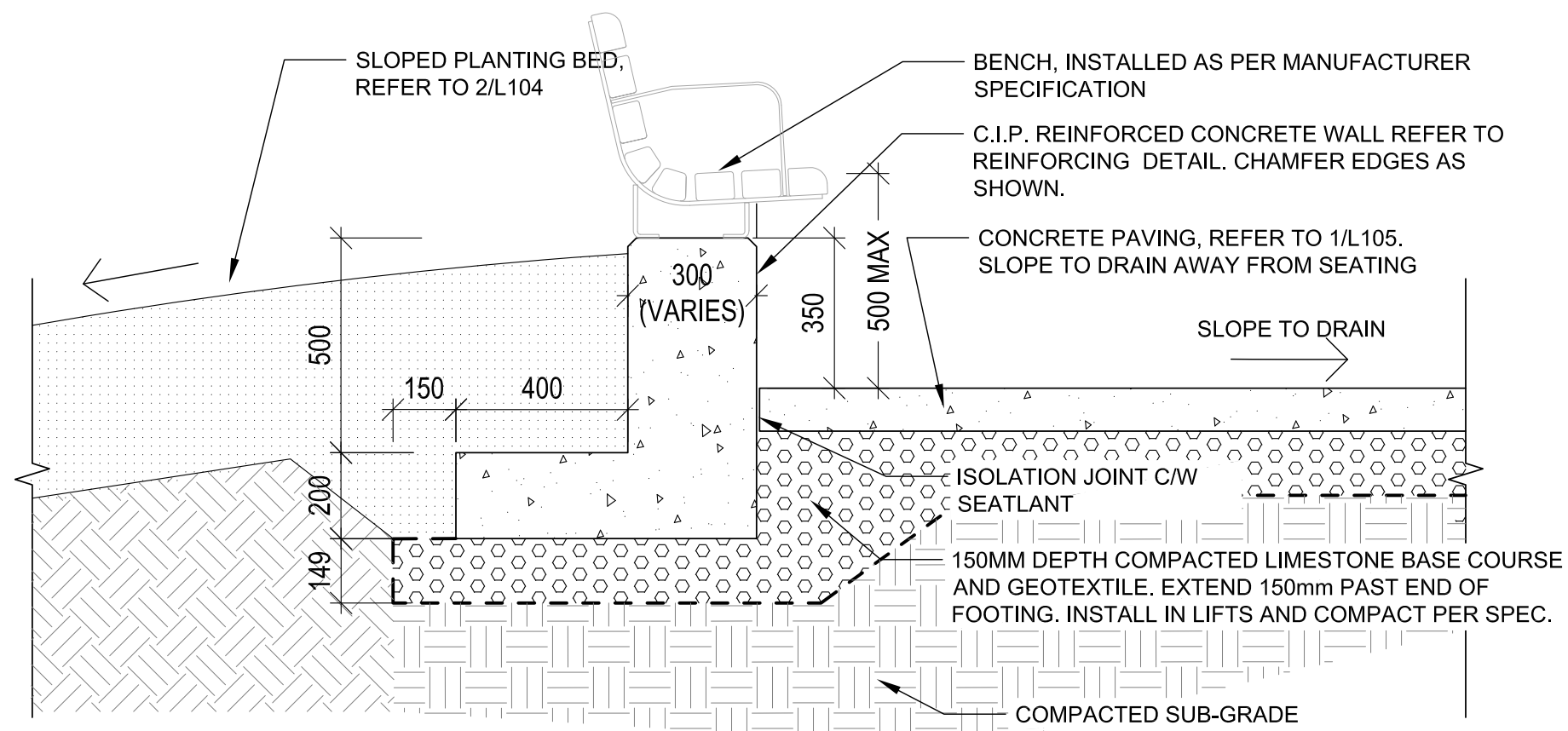


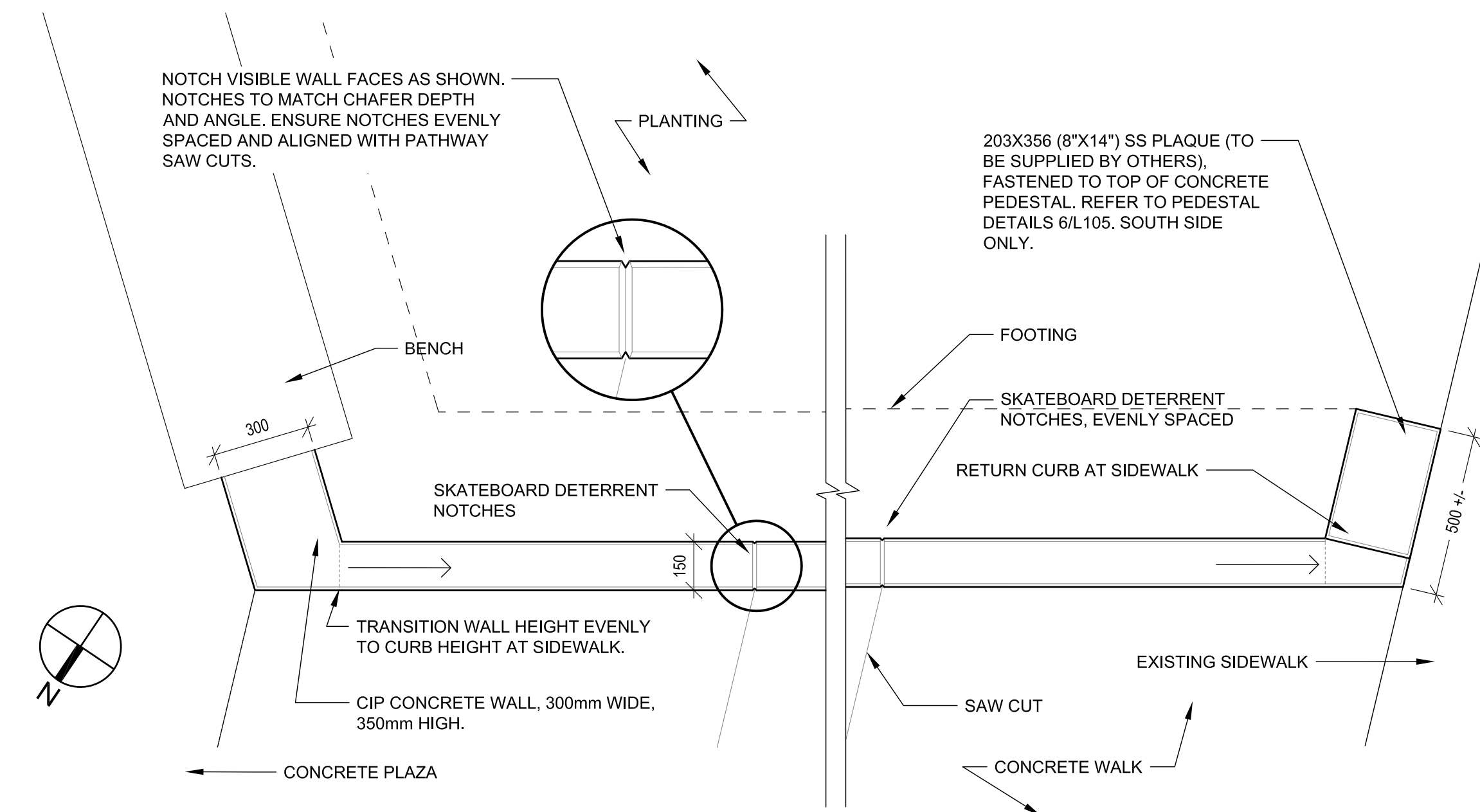
**1** REINFORCED CONCRETE PAVING - TYP.  
L105 SCALE - 1 : 15 AT 24"x36"



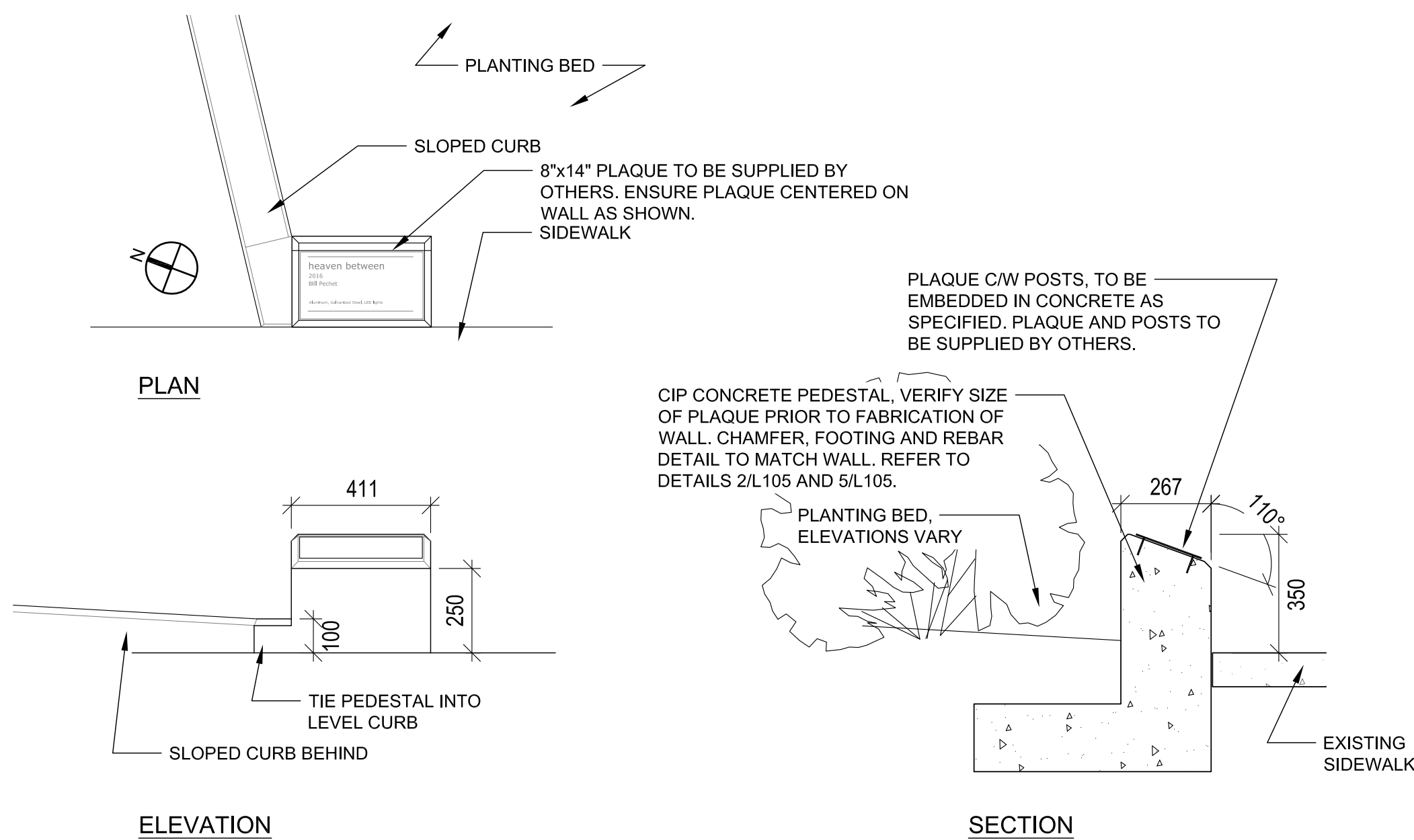
**3** CIP CONCRETE CURB WALL - REINFORCING  
L105 SCALE - 1 : 15 AT 24"x36"



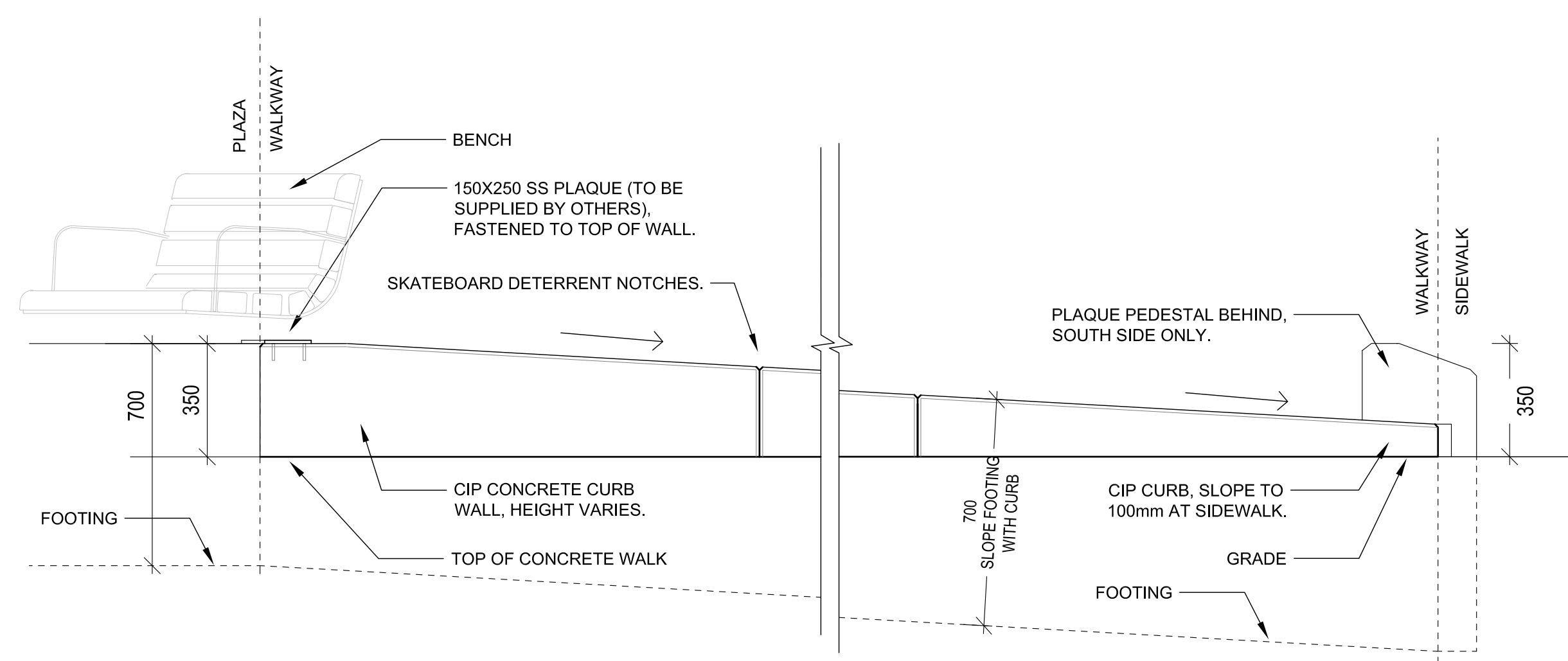
**2** CIP CONCRETE CURB WALL - TYP SECTION  
L105 SCALE - 1 : 15 AT 24"x36"



**4** CIP CONCRETE CURB WALL - DETAIL PLAN  
L105 SCALE - 1 : 15 AT 24"x36"



**6** CIP CONCRETE PLAQUE PEDESTAL - DETAILS  
L105 SCALE - 1 : 15 AT 24"x36"



**5** CIP CONCRETE CURB WALL - DETAIL PLAN  
L105 SCALE - 1 : 15 AT 24"x36"

NOTES:

REV	YY/MM/DD	DESCRIPTION	BY
1	16/10/11	REVISED AND RE-ISSUED FOR TENDER	AH
0	16/09/30	ISSUED FOR TENDER	AH

A. SECTION LETTER OR DETAIL NUMBER.  
B. DRAWING WHERE SECTION OR DETAIL IS DRAWN.  
OR  
DRAWING WHERE SECTION OR DETAIL IS INDICATED.  
--- SECTION OR DETAIL SHOWN ON SAME DRAWING.

SEAL

**SCATLIFF + MILLER + MURRAY**  
visionary urban design + landscapes

CLIENT  
**CITY OF WINNIPEG**

PROJECT  
**BROADWAY PLAZA AND WEBB PLACE SIDEWALK**

TITLE  
**BROADWAY PLAZA DETAILS**

DESIGN	DRAWN	DATE - Y / M / D	SCALE
AH/NH	NH	2016/09/30	AS SHOWN
CHECKED	APPROVED	JOB NO.	DRAWING NO.
DKM	DKM	16-0107-006	L105