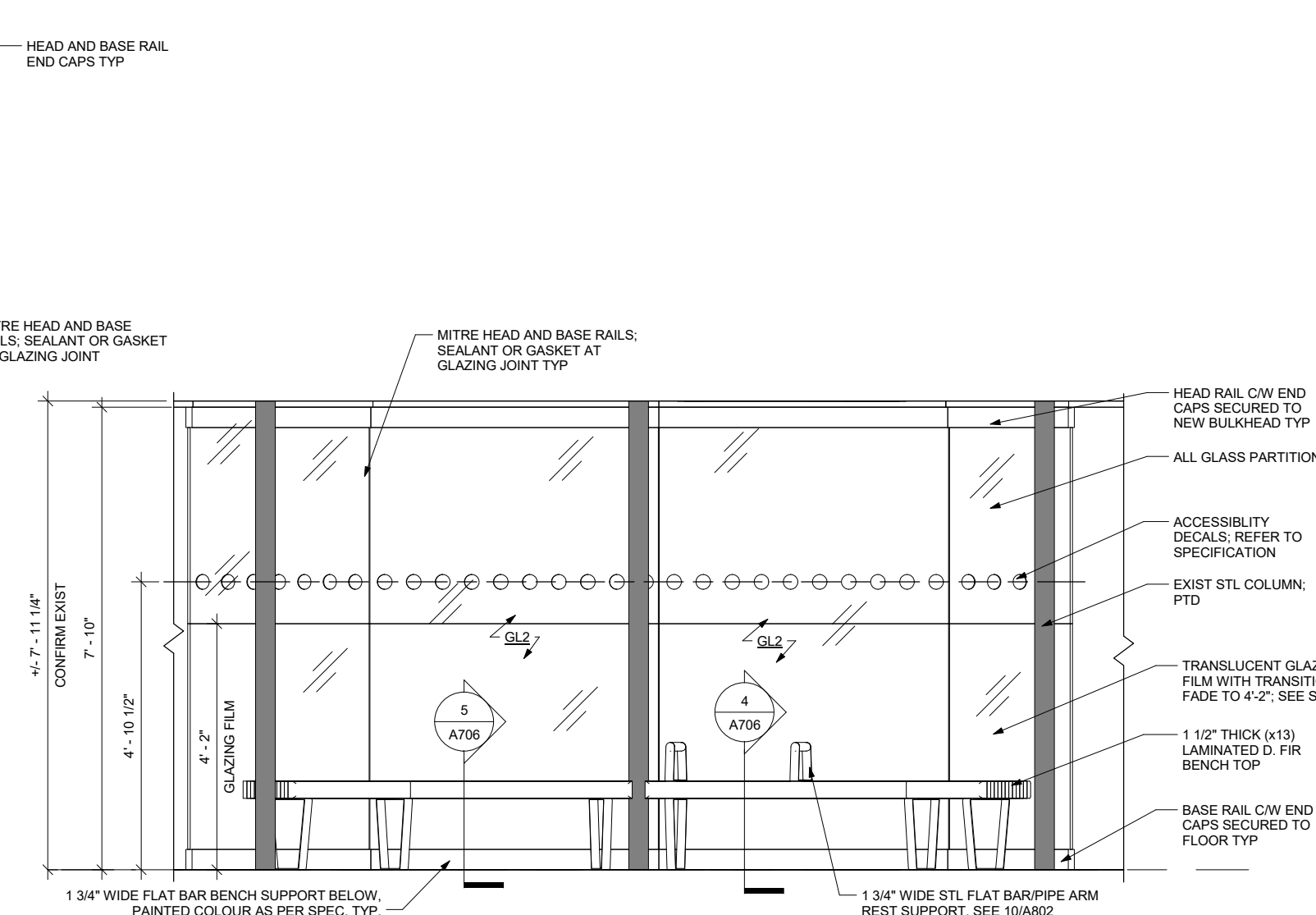
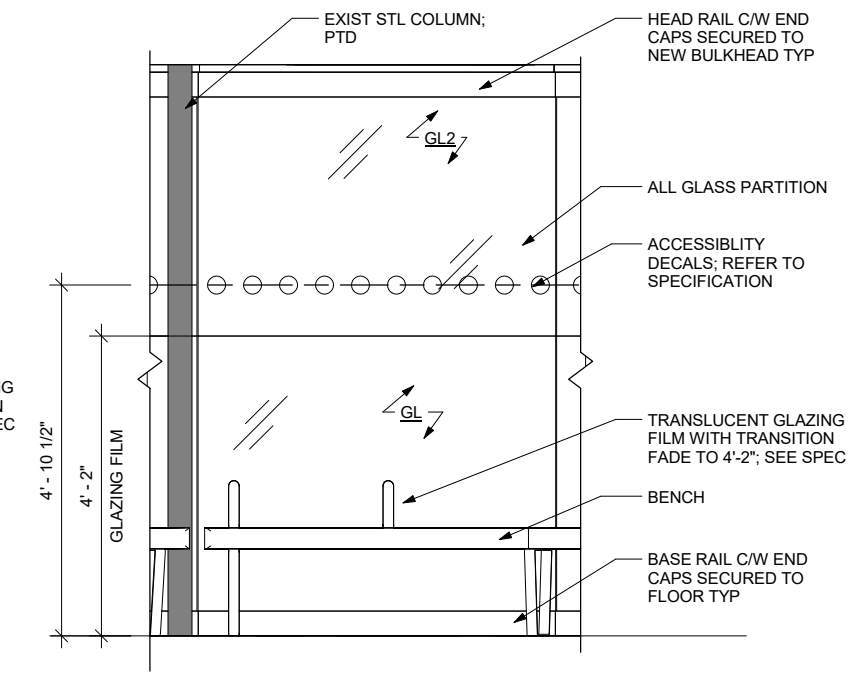


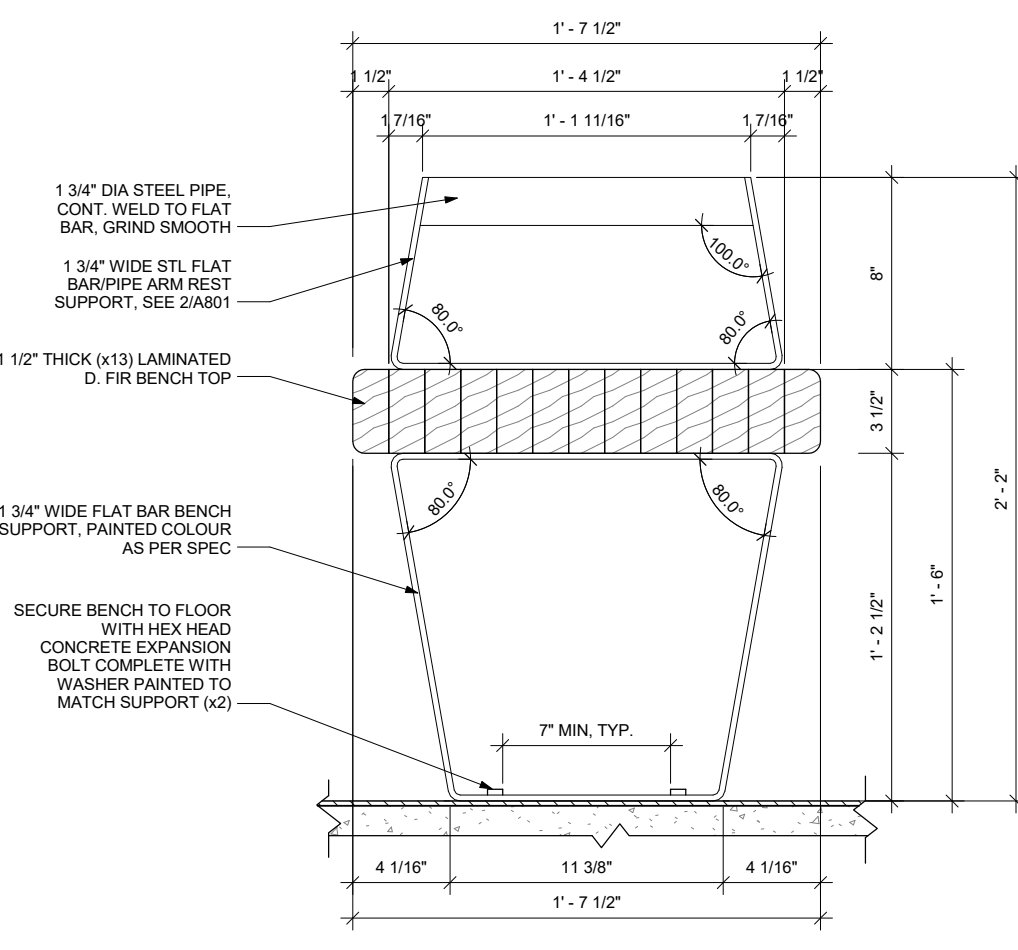
1 LARGE SCALE PLAN - BASEMENT BENCH
1/2" = 1'-0"



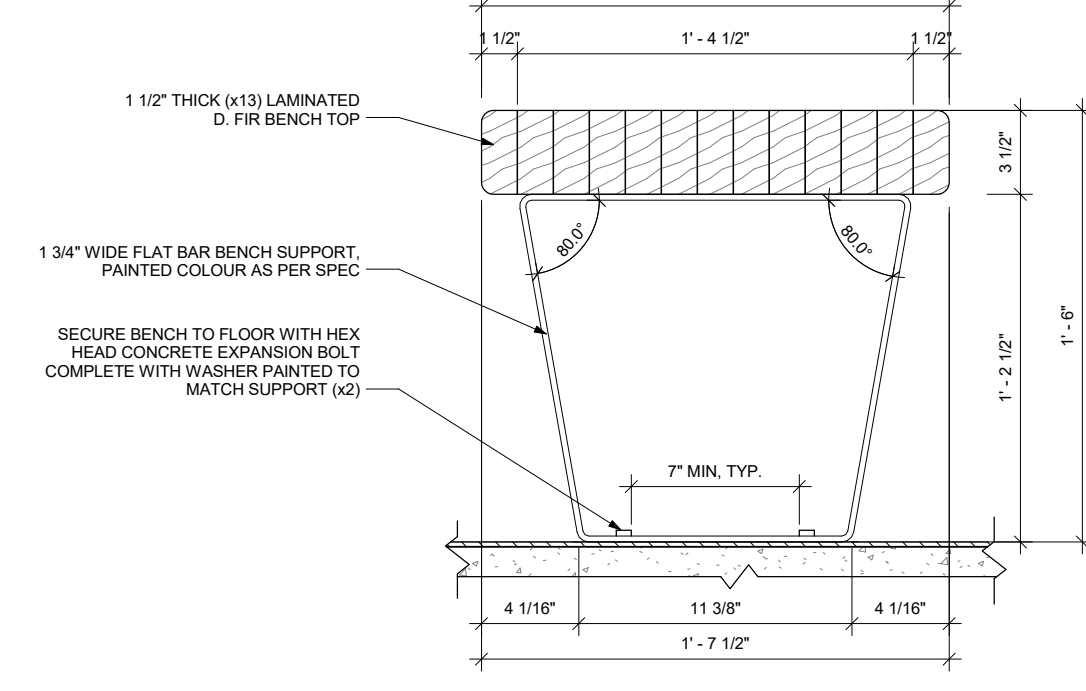
2 INTERIOR ELEVATION - BASEMENT BENCH - B02-A
3/8" = 1'-0"



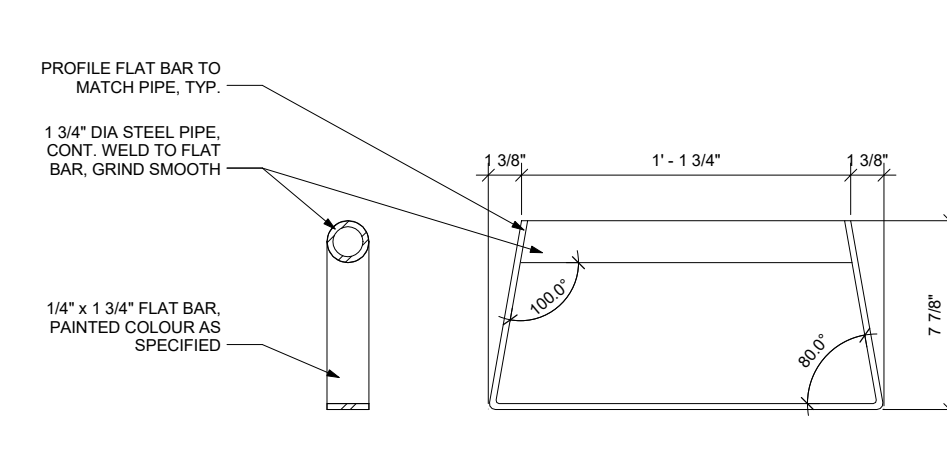
3 INTERIOR ELEVATION - BASEMENT BENCH - B02-B
3/8" = 1'-0"



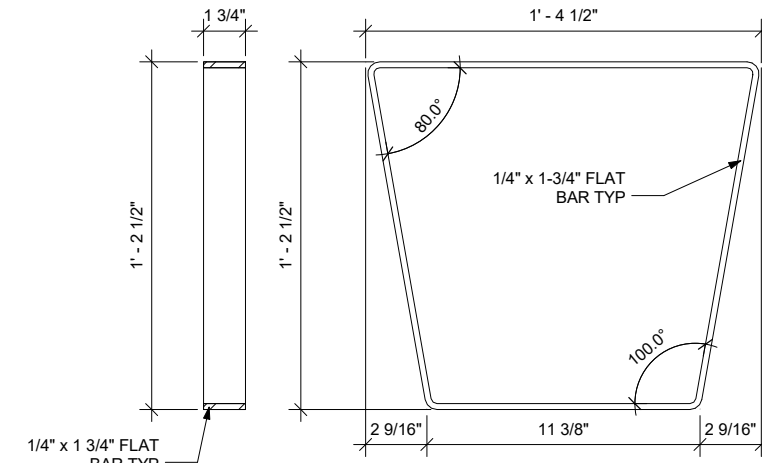
4 SECTION DETAIL - BENCH @ ACCESSIBLE
1 1/2" = 1'-0"



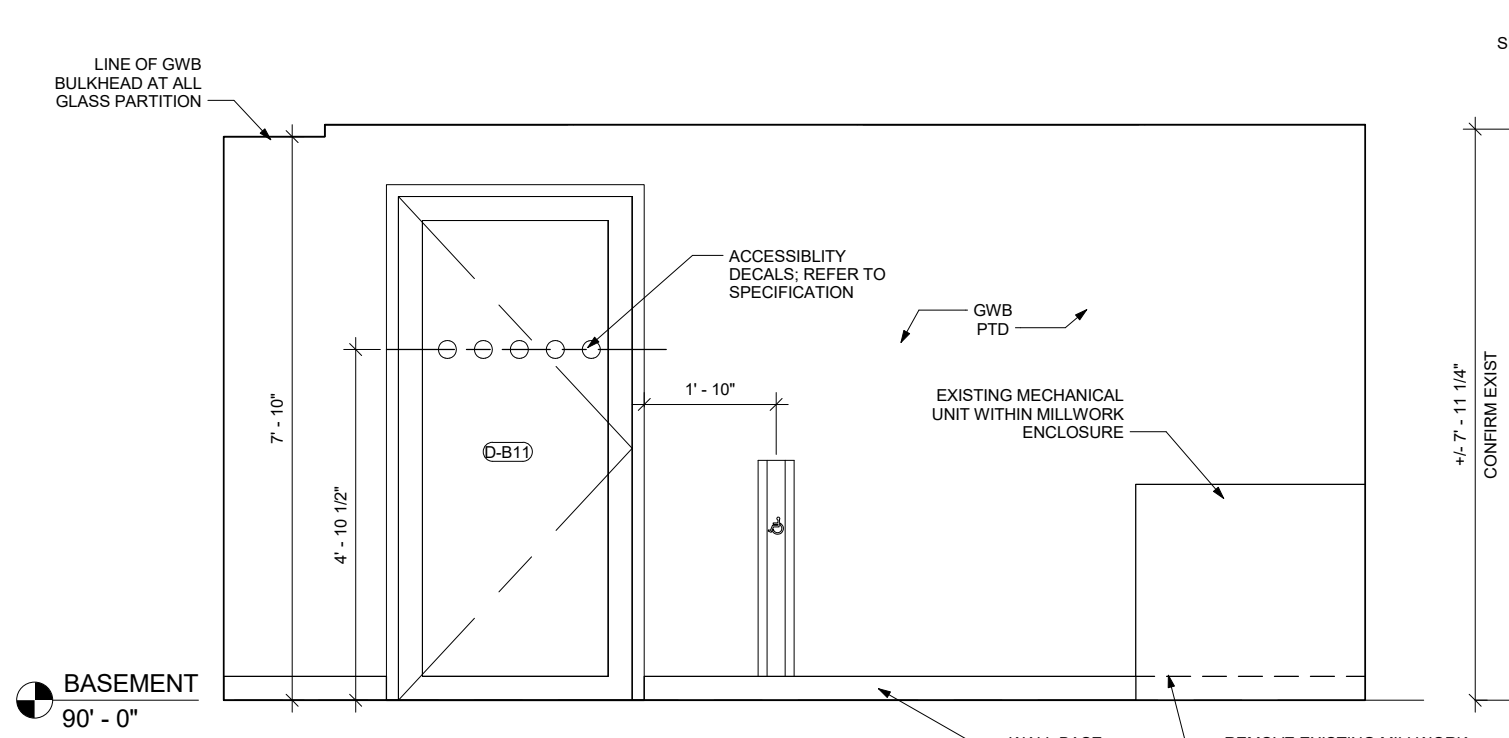
5 SECTION DETAIL - BENCH @ TYPICAL
1 1/2" = 1'-0"



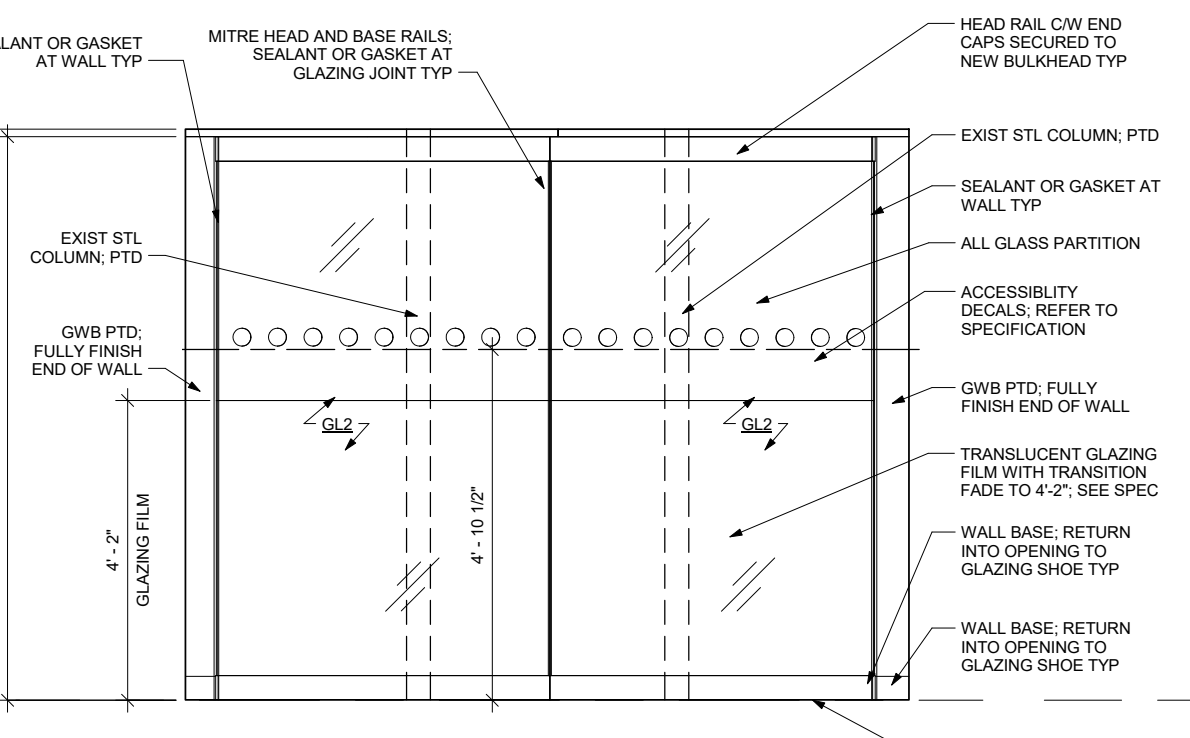
6 BENCH STEEL SECTIONS
1 1/2" = 1'-0"



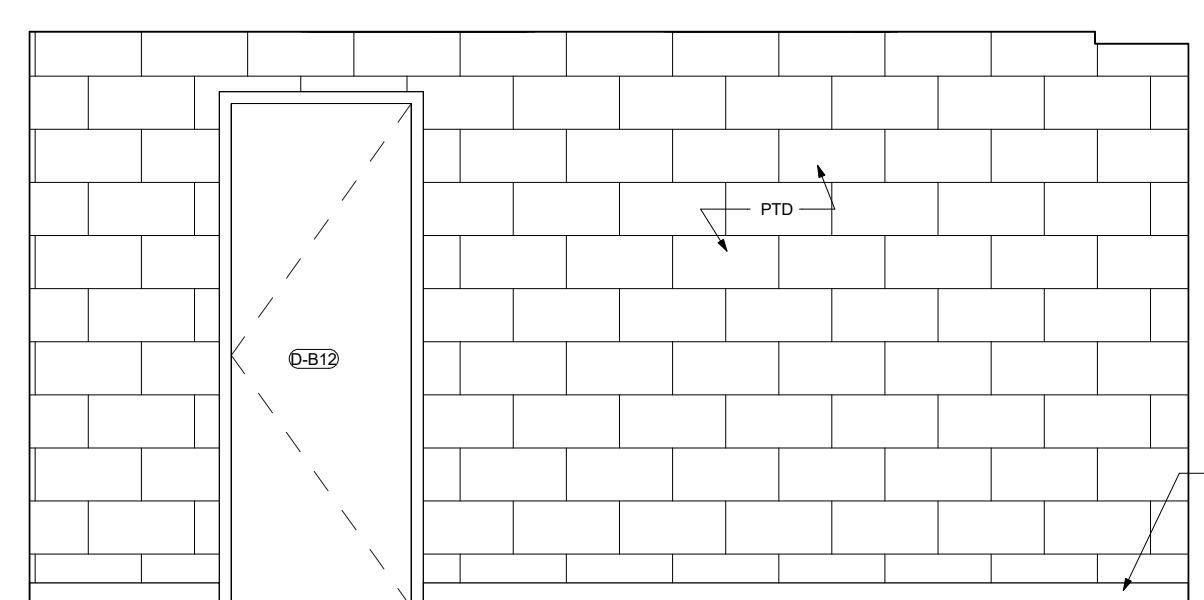
BENCH BASE SUPPORT



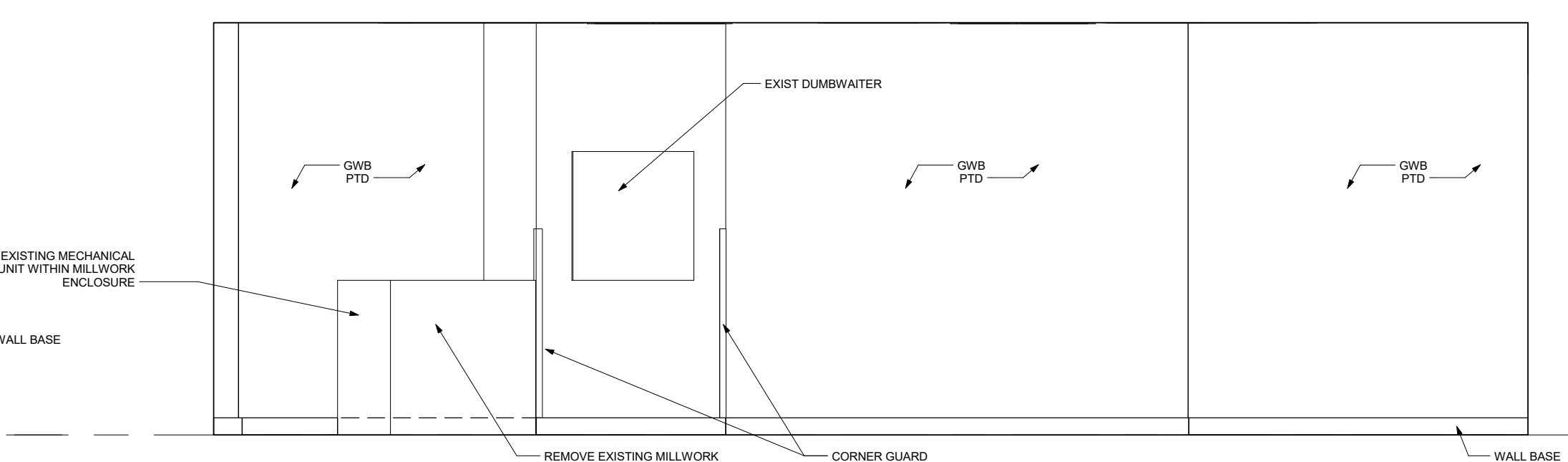
7 INTERIOR ELEVATION - TUTORIAL ROOM B-11 - A
3/8" = 1'-0"



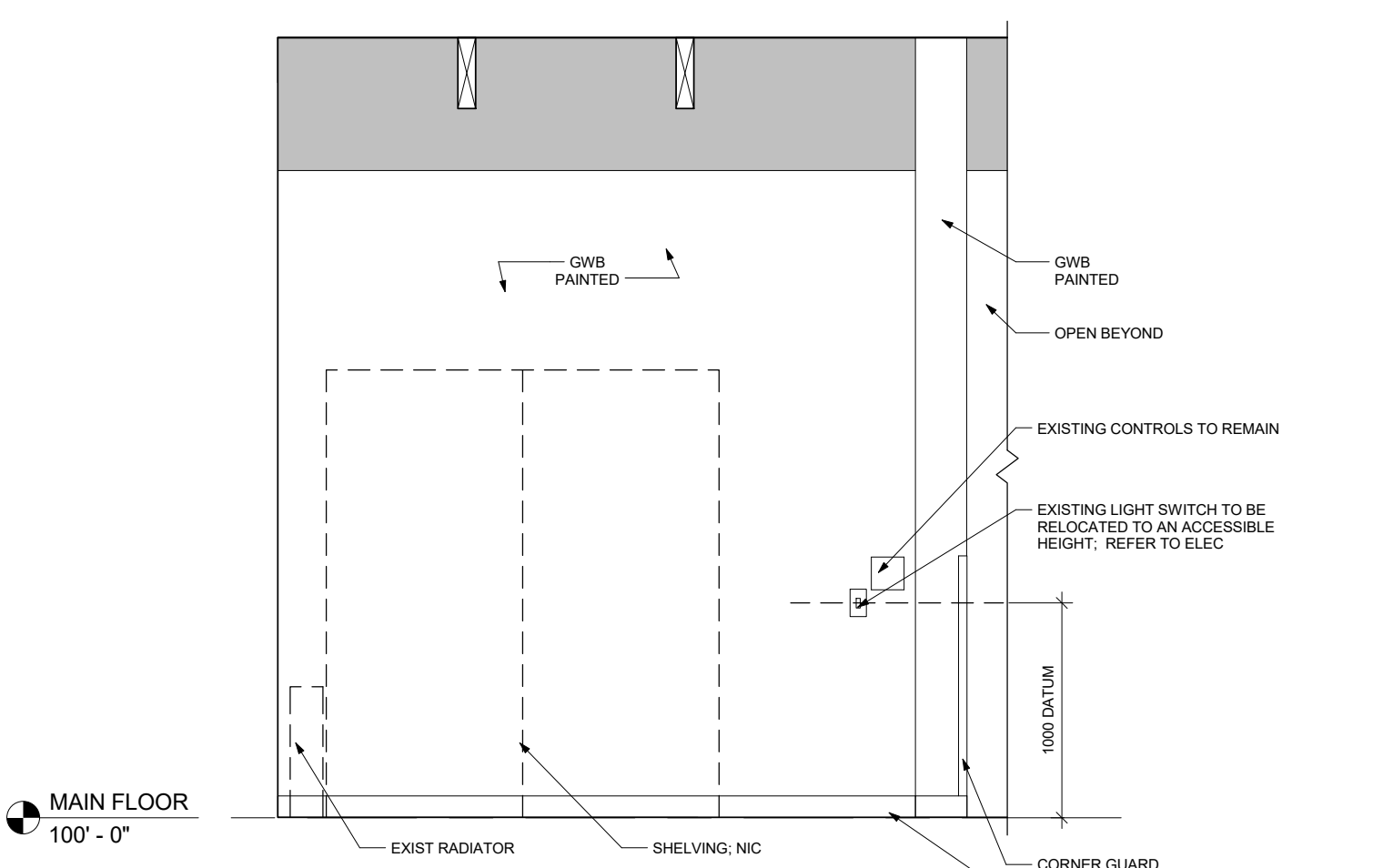
8 INTERIOR ELEVATION - TUTORIAL ROOM B-11 - B
3/8" = 1'-0"



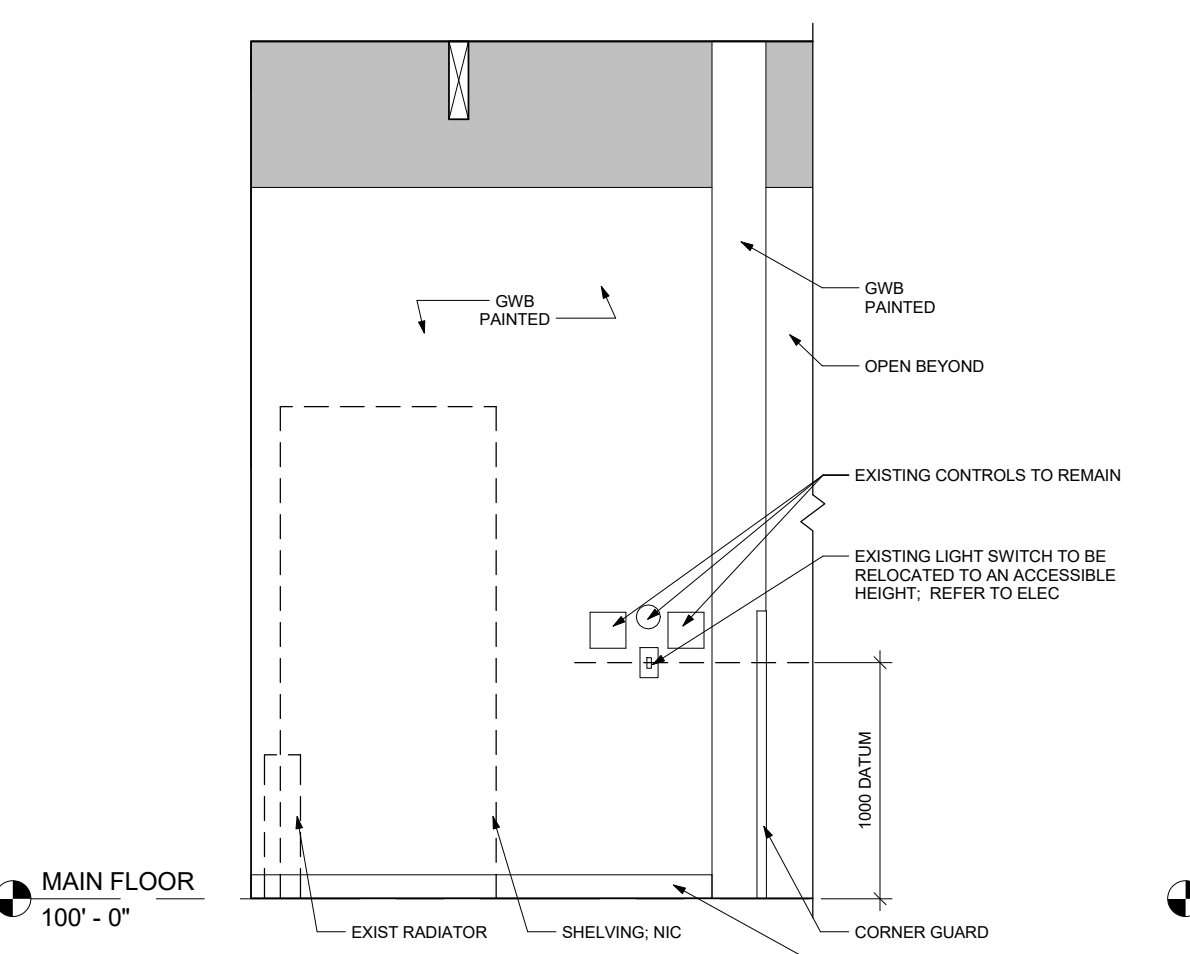
9 INTERIOR ELEVATION - TUTORIAL ROOM B-11 - C
3/8" = 1'-0"



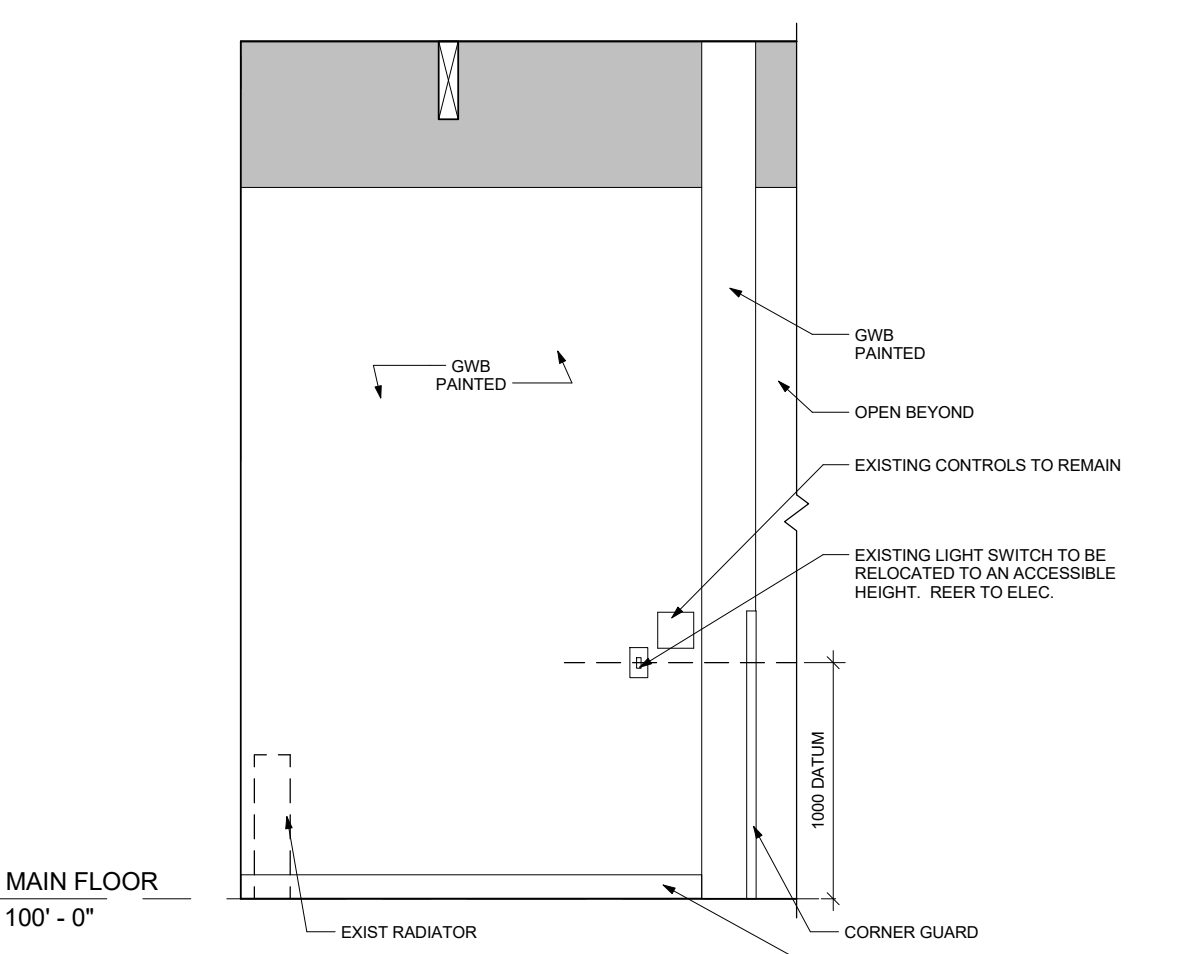
10 INTERIOR ELEVATION - TUTORIAL ROOM - B-11 - D
3/8" = 1'-0"



11 INTERIOR ELEVATION - STACKS - 114 - A
3/8" = 1'-0"



12 INTERIOR ELEVATION - STACKS - 114 - B
3/8" = 1'-0"



13 INTERIOR ELEVATION - STACKS - 114 - C
3/8" = 1'-0"

- MILLWORK NOTES:**
- LOW SECURITY LOCKS ON ALL UPPER AND LOWER CABINETS; LOCKS AS PER SPEC
 - ALL UPPER CABINETS (ABOVE COUNTERS) TO BE HPDL COLOUR 1 UNLESS NOTED OTHERWISE
 - ALL LOWER CABINETS TO BE HPDL COLOUR 2
 - ALL COUNTERTOPS TO BE SOLID SURFACE MATERIAL

- MILLWORK FINISHES:**
- HPDL COLOUR 1: FORMICA, WHITE 949-58, MATTE FINISH
 - HPDL COLOUR 2: FORMICA, FOLKSTONE 927-58, MATTE FINISH
 - SOLID SURFACE COUNTERTOPS AND BACKSPLASH: AVONITE, SUPERWHITE F1-8026, SATIN FINISH, 1/4" (6mm)
 - SOLID SURFACE MATERIAL APPLIED TO WALL: AVONITE, SUPERWHITE F1-8026, SATIN FINISH, 1/8" (3mm)