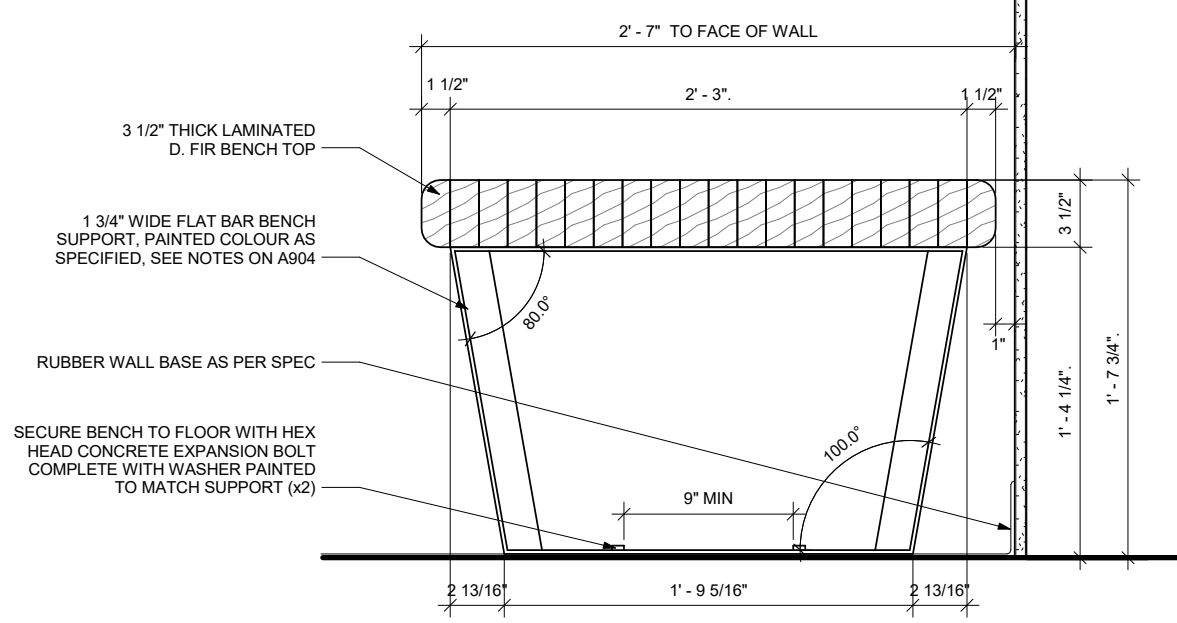
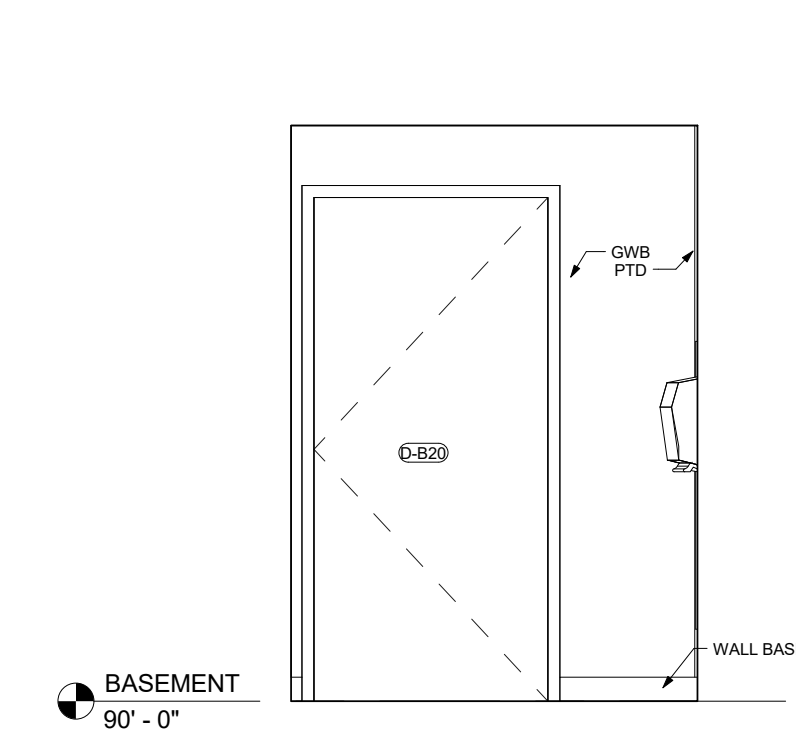


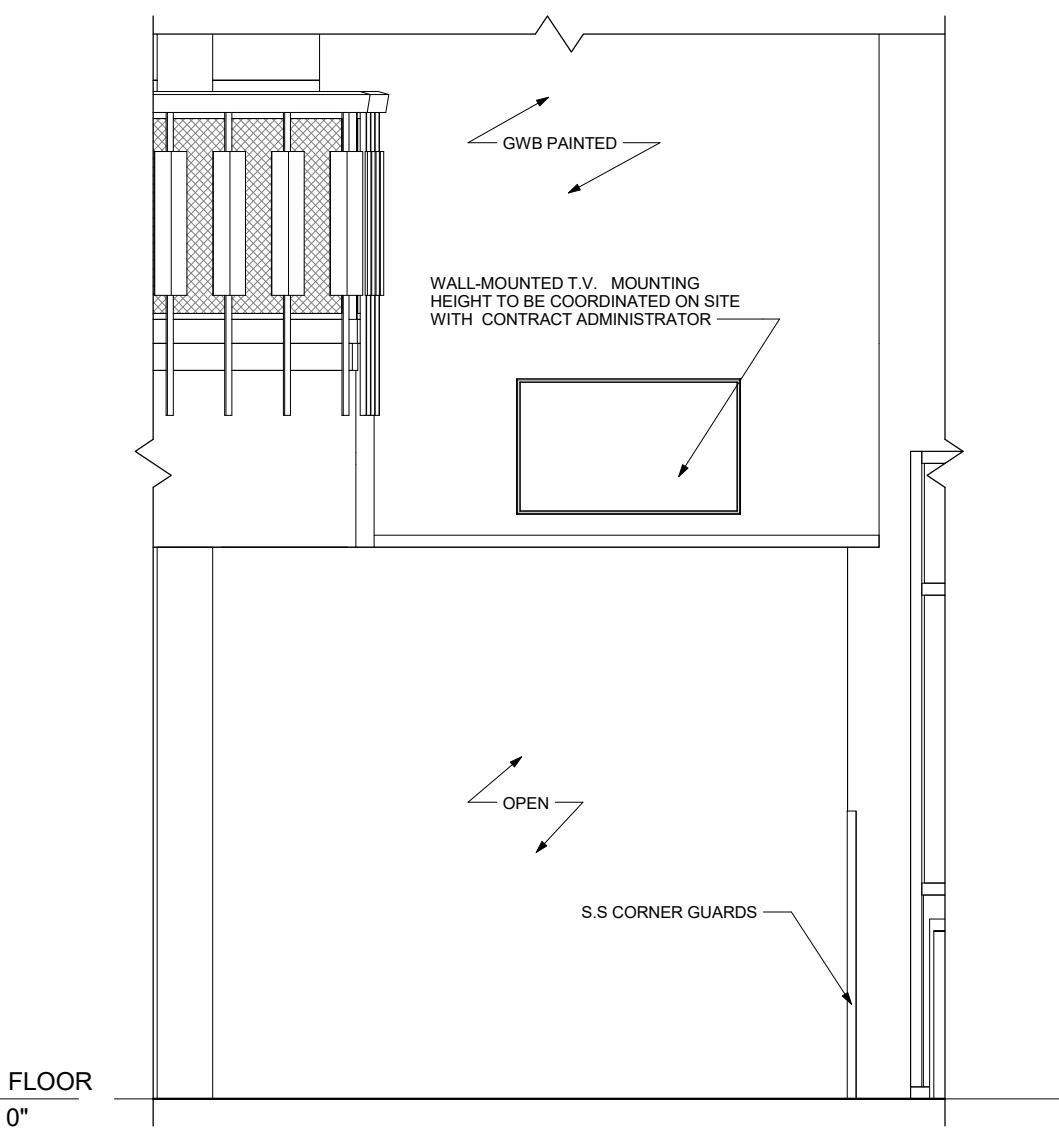
1 LARGE SCALE PLAN - W/C B-20 & B-21
3/8" = 1'-0"



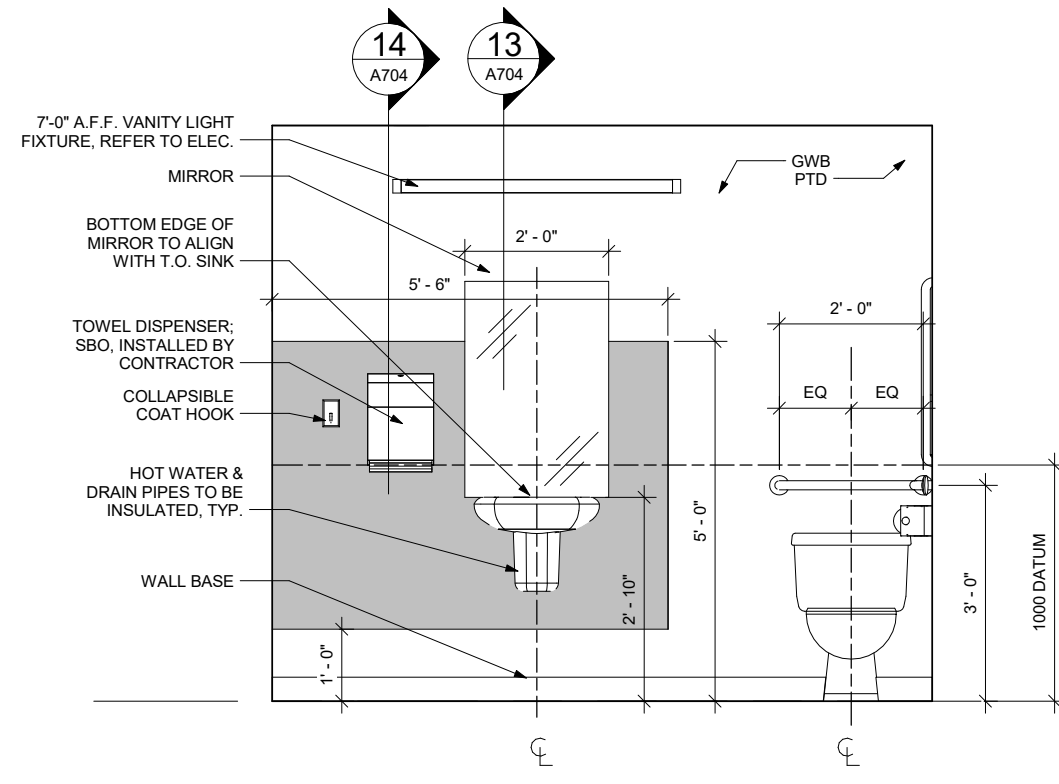
7 UTR - 104 - BENCH
1:10



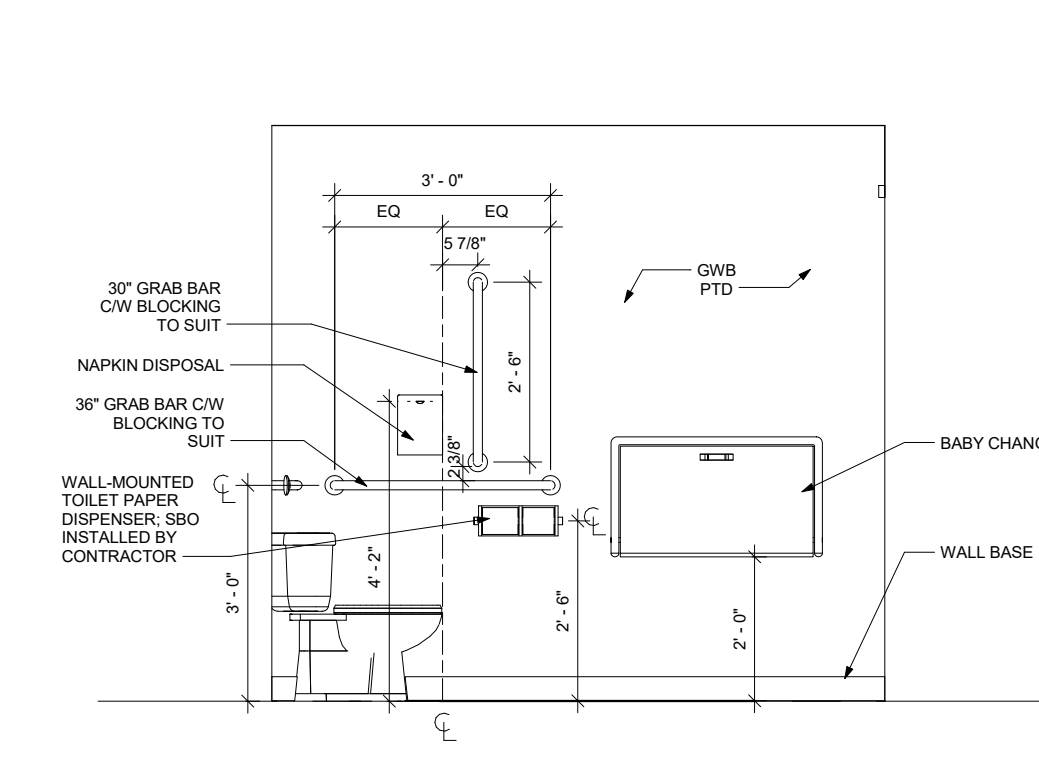
2 INTERIOR ELEVATION - W/C B-20 - A
3/8" = 1'-0"



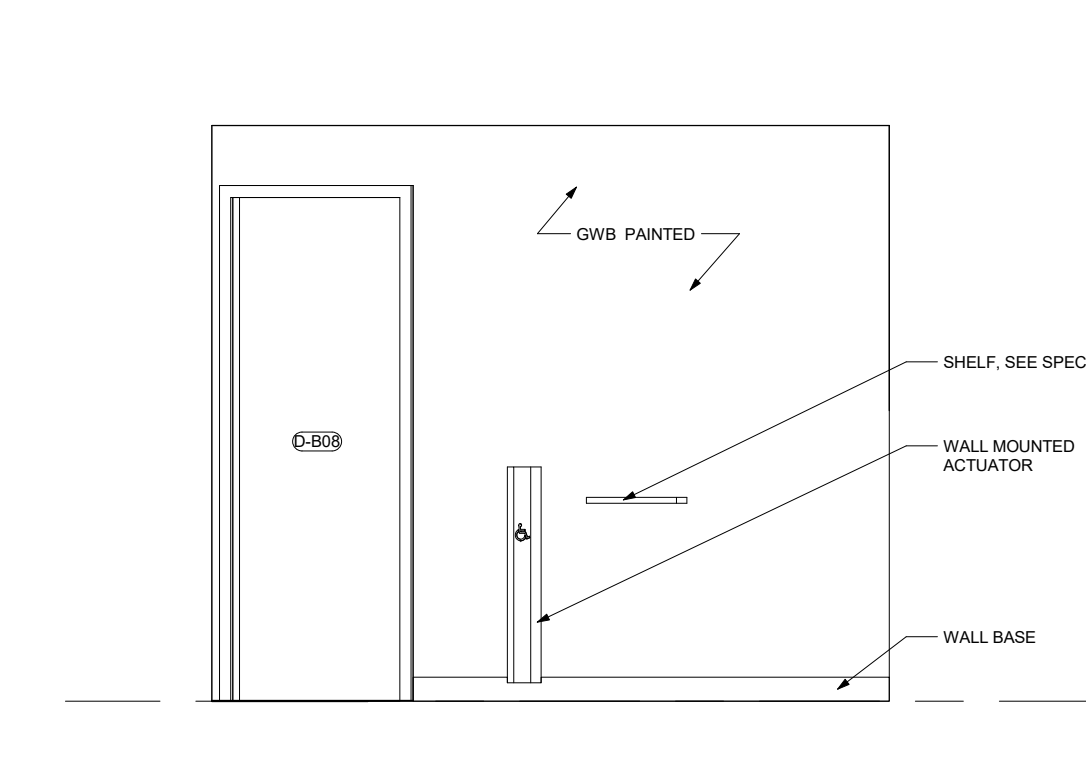
11 INTERIOR ELEVATION - PUBLIC SPACE - 102 - G
3/8" = 1'-0"



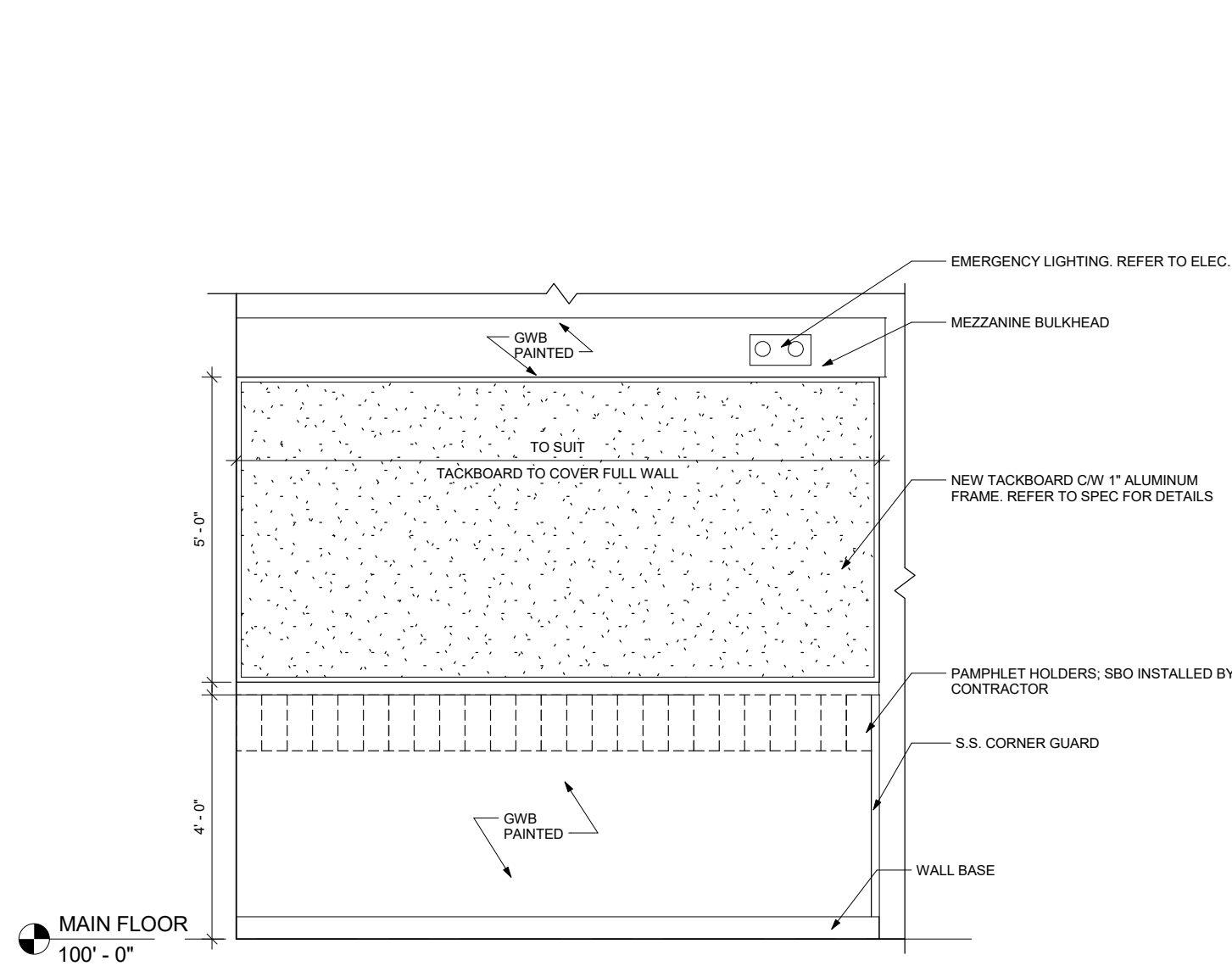
3 INTERIOR ELEVATION - W/C B-20 - B
3/8" = 1'-0"



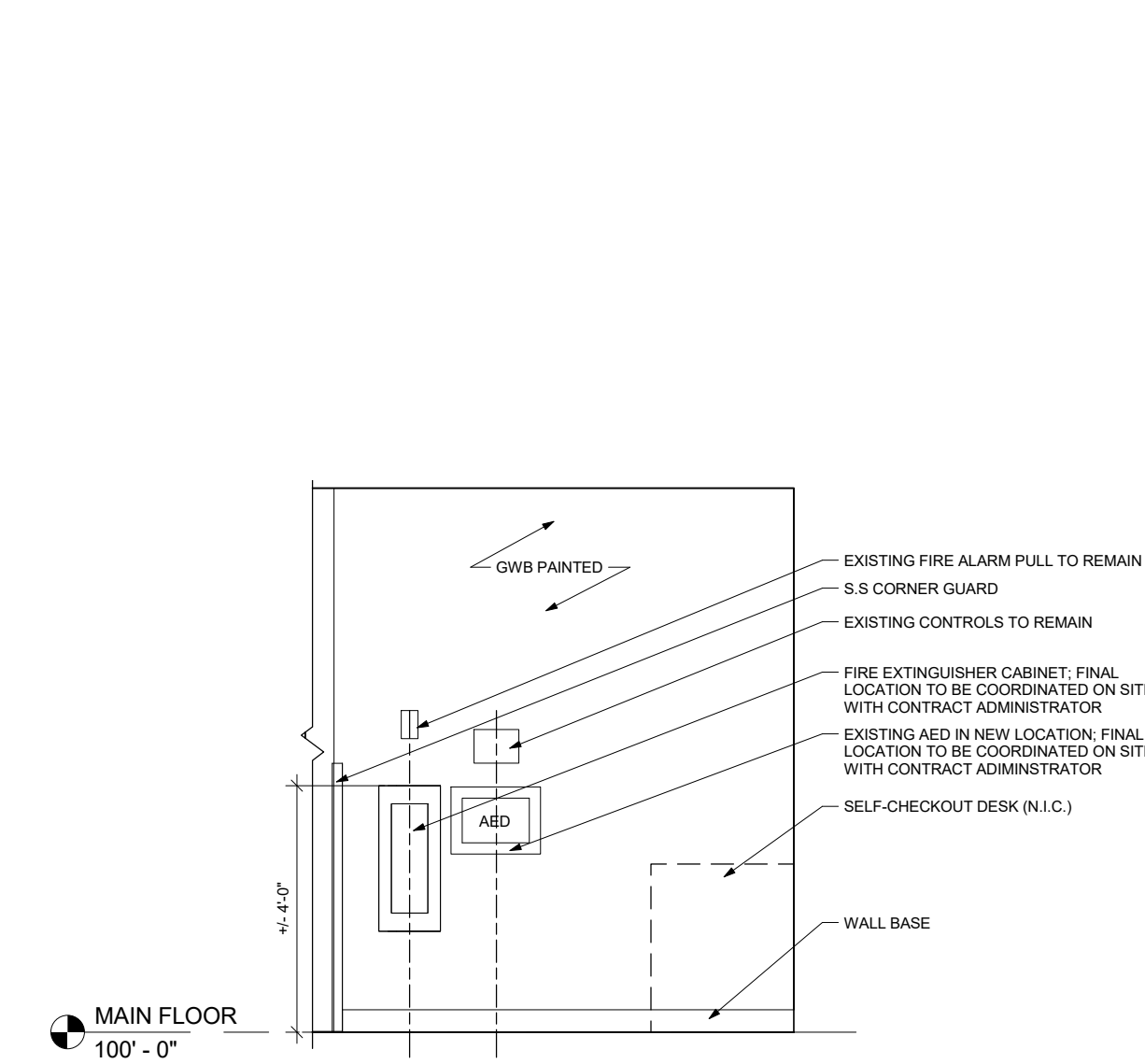
4 INTERIOR ELEVATION - W/C B-20 - C
3/8" = 1'-0"



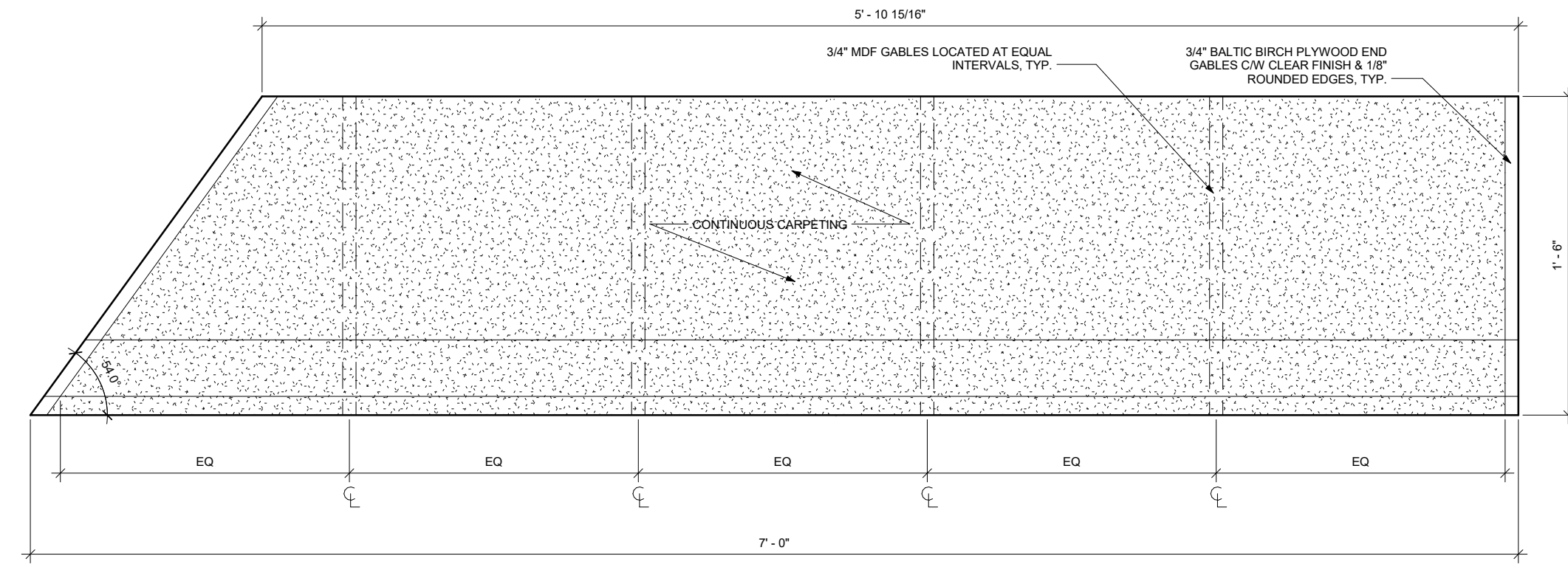
5 INTERIOR ELEVATION - W/C B-20 - D
3/8" = 1'-0"



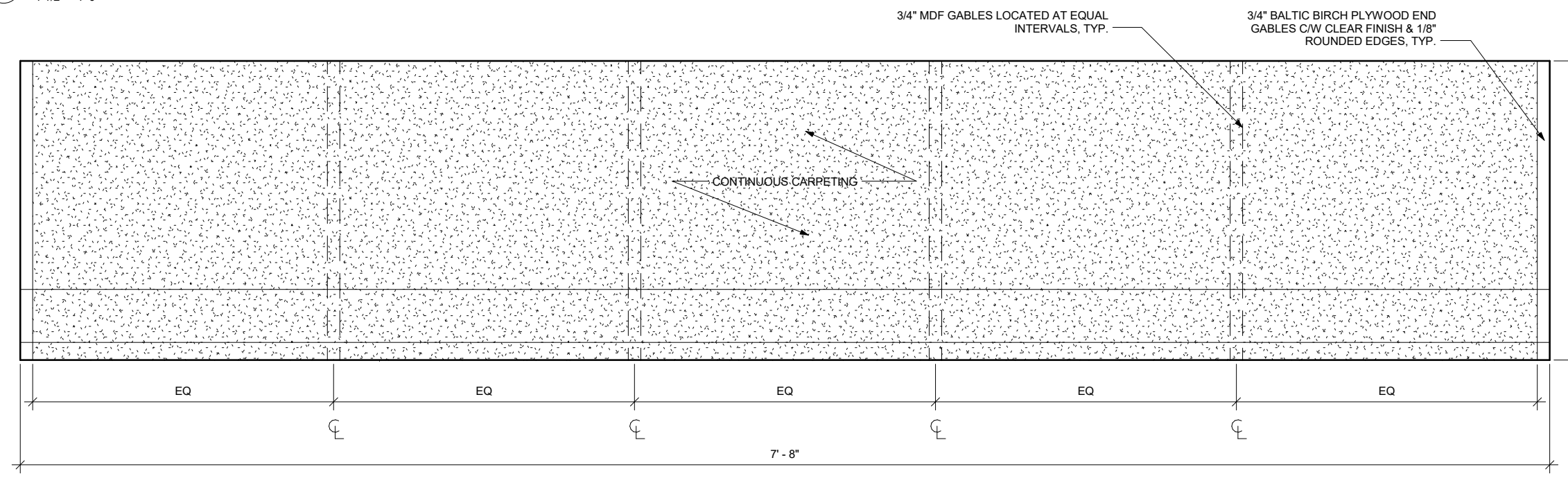
15 INTERIOR ELEVATION - TACKBOARD - 102 - H
3/8" = 1'-0"



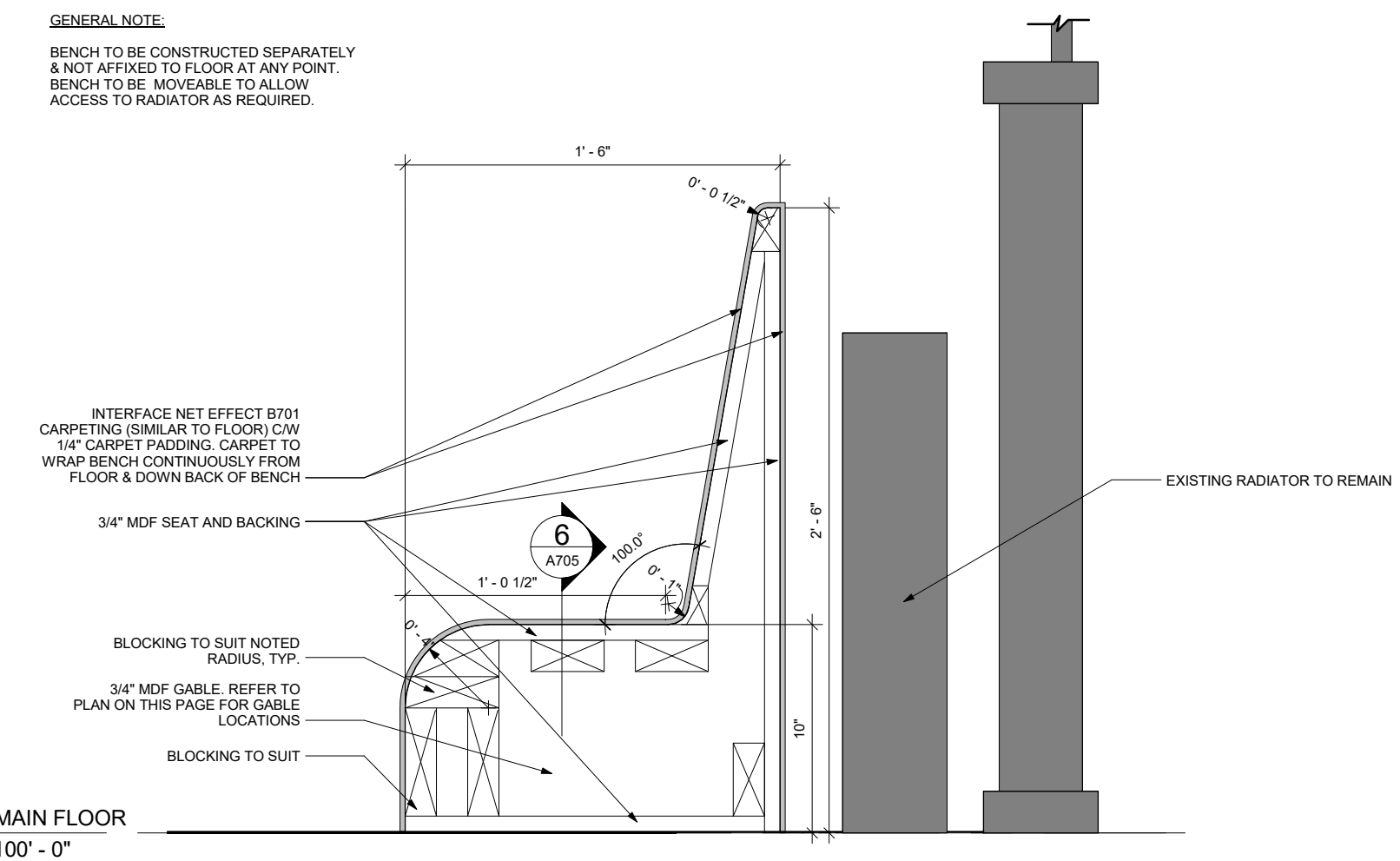
16 INTERIOR ELEVATION - CONTROLS - 102 - A
3/8" = 1'-0"



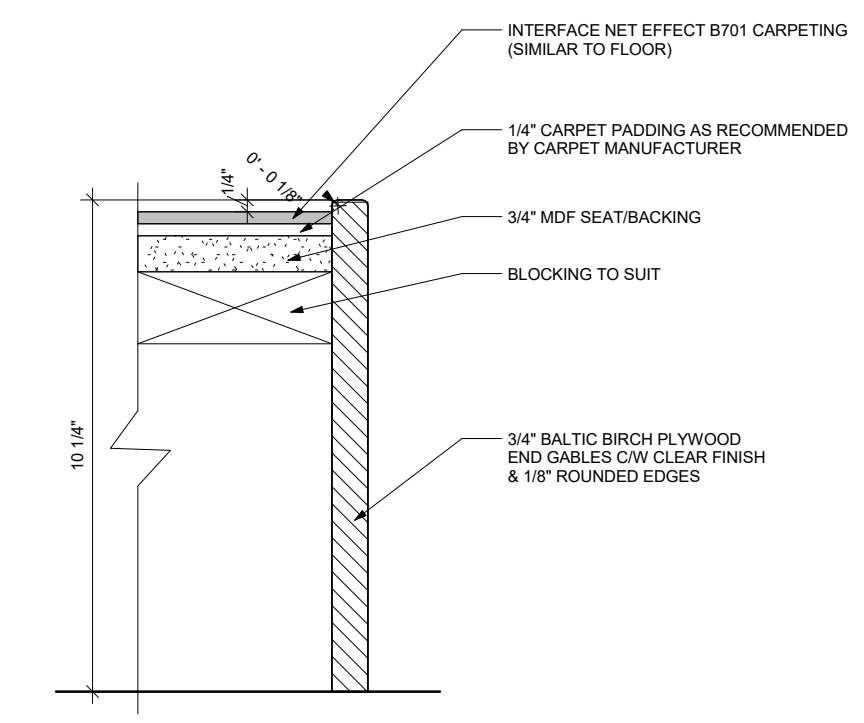
8 PLAN - ANGLED CHILDREN'S BENCH
1 1/2" = 1'-0"



9 PLAN - LINEAR CHILDREN'S BENCH
1 1/2" = 1'-0"



16 SECTION DETAIL - CHILDREN'S BENCH @ RADIATOR
1 1/2" = 1'-0"



6 TYPICAL END GABLE DETAIL - CHILDREN'S BENCH @ RADIATOR
3" = 1'-0"

