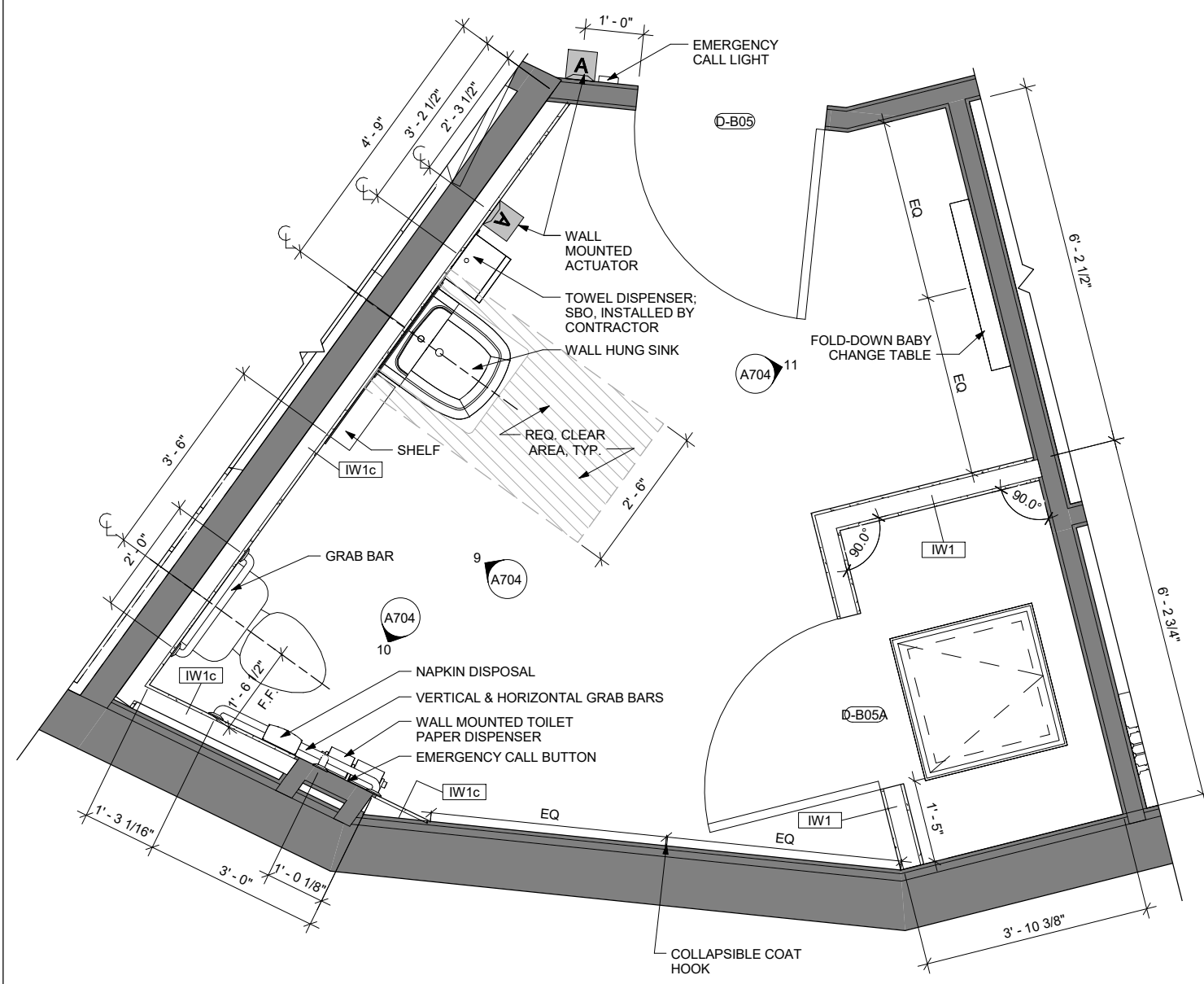
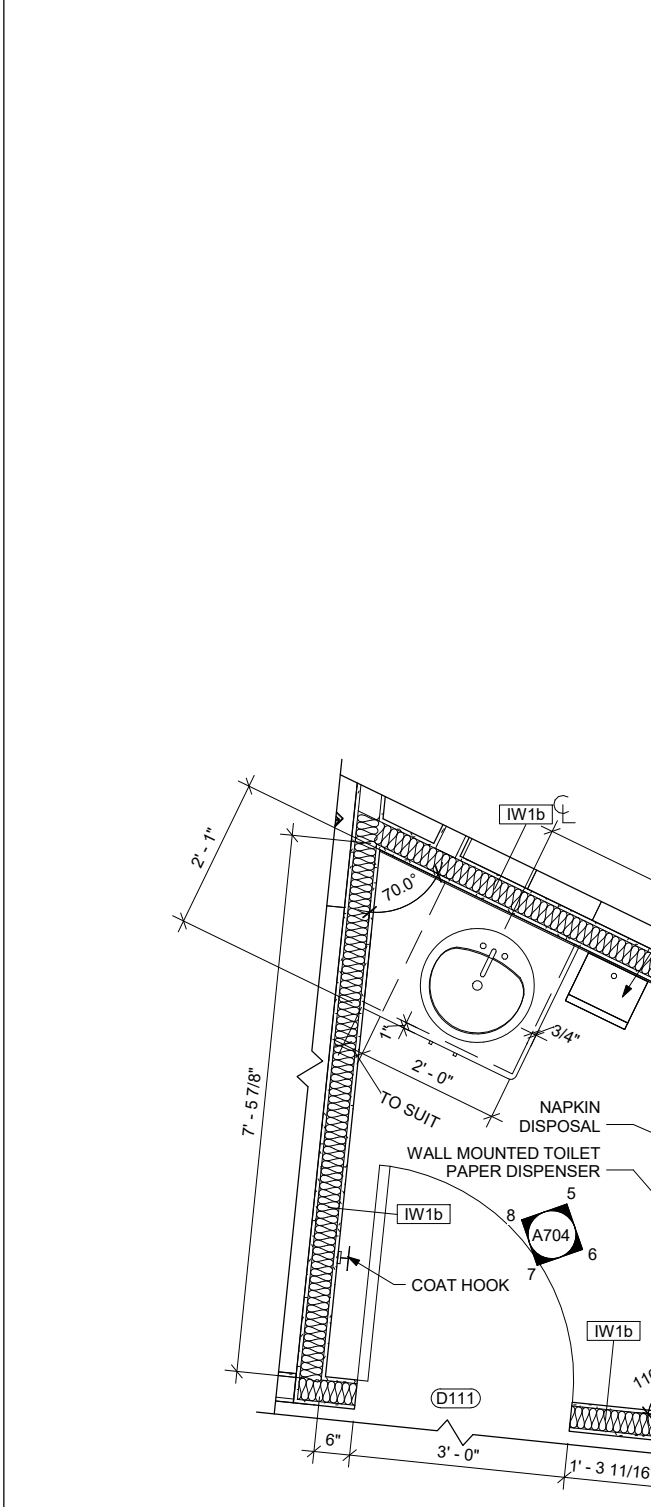


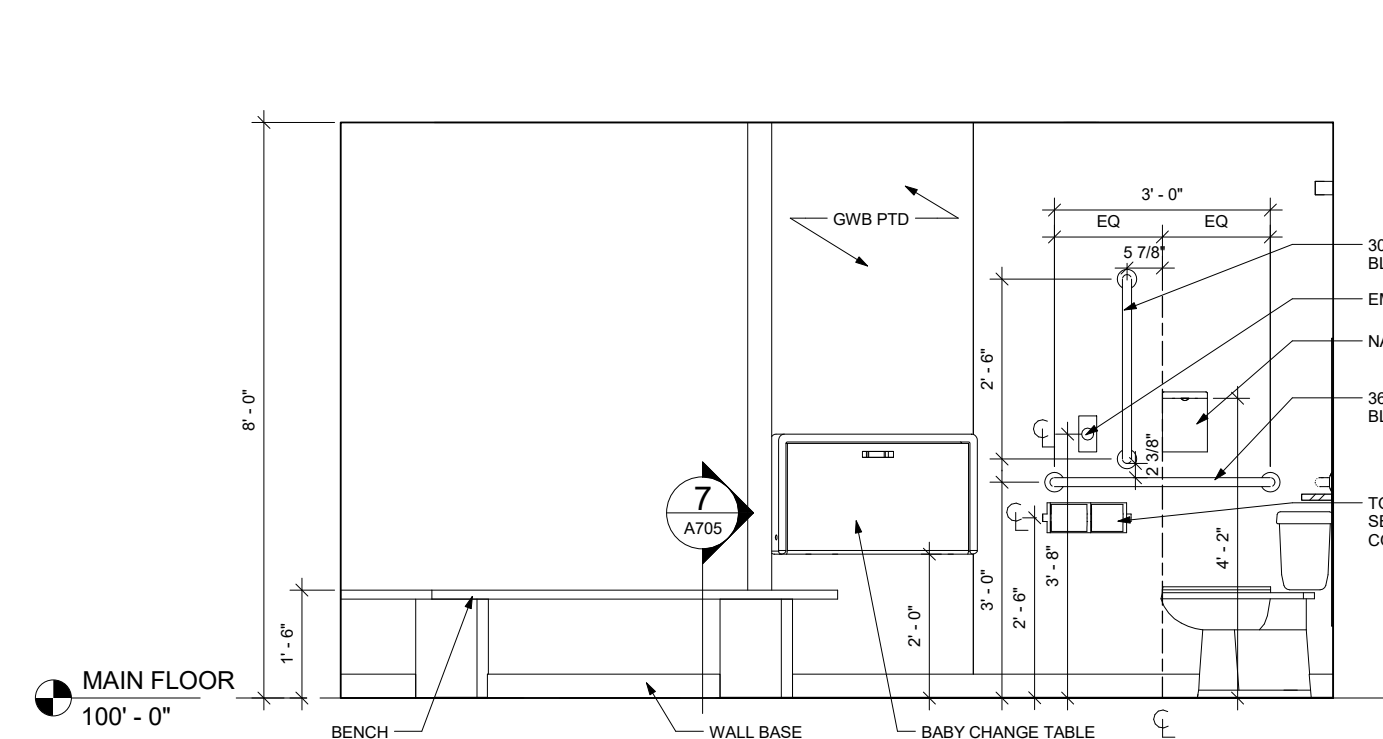
16 LARGE SCALE PLAN - UTR 104
3/8" = 1'-0"



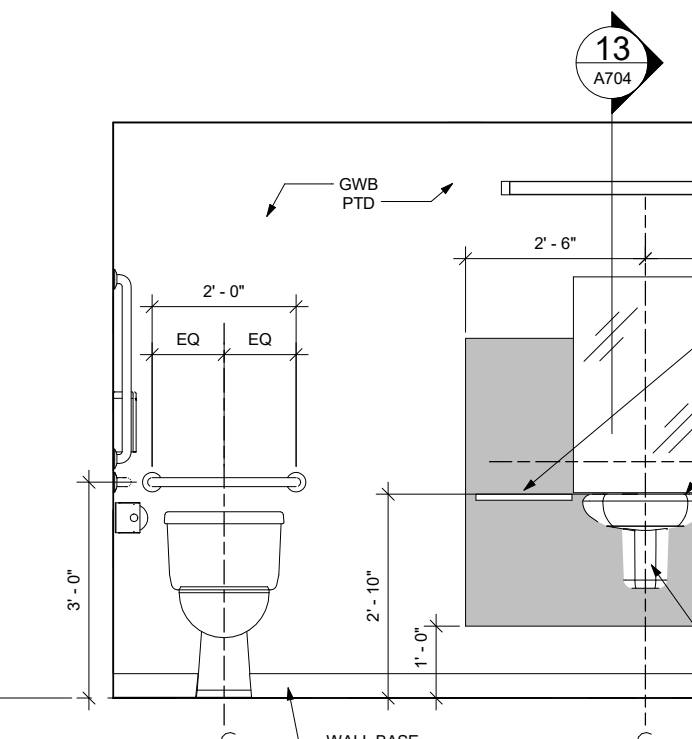
18 LARGE SCALE PLAN - UTR B-05
3/8" = 1'-0"



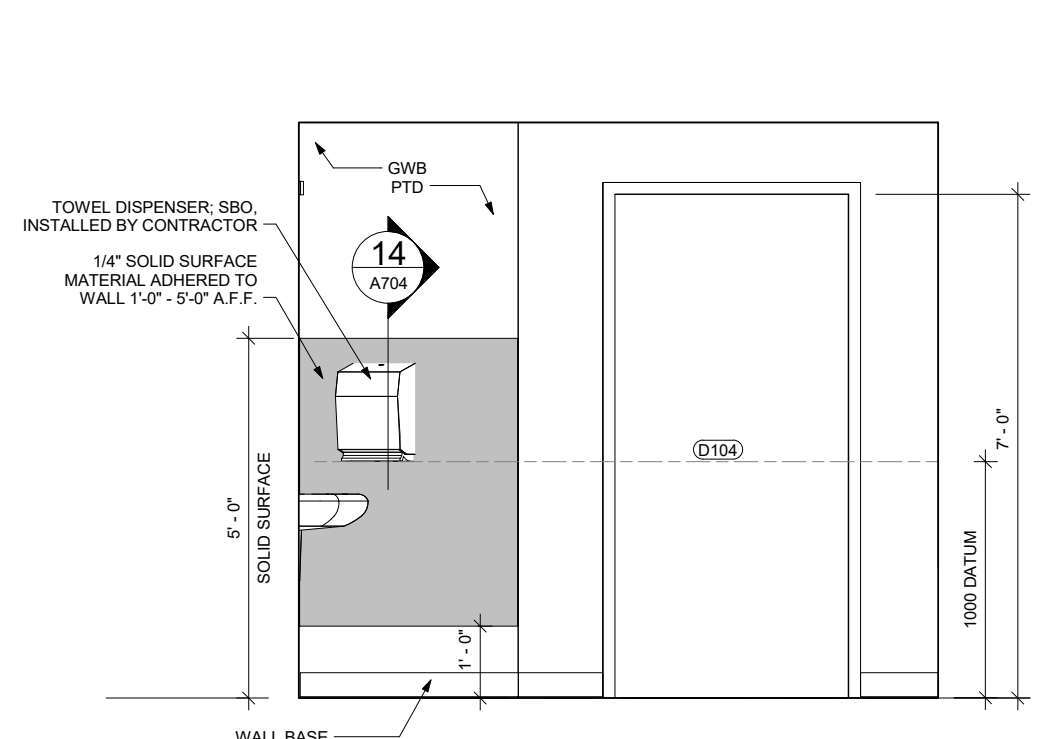
17 LARGE SCALE PLAN - W/C 111
3/8" = 1'-0"



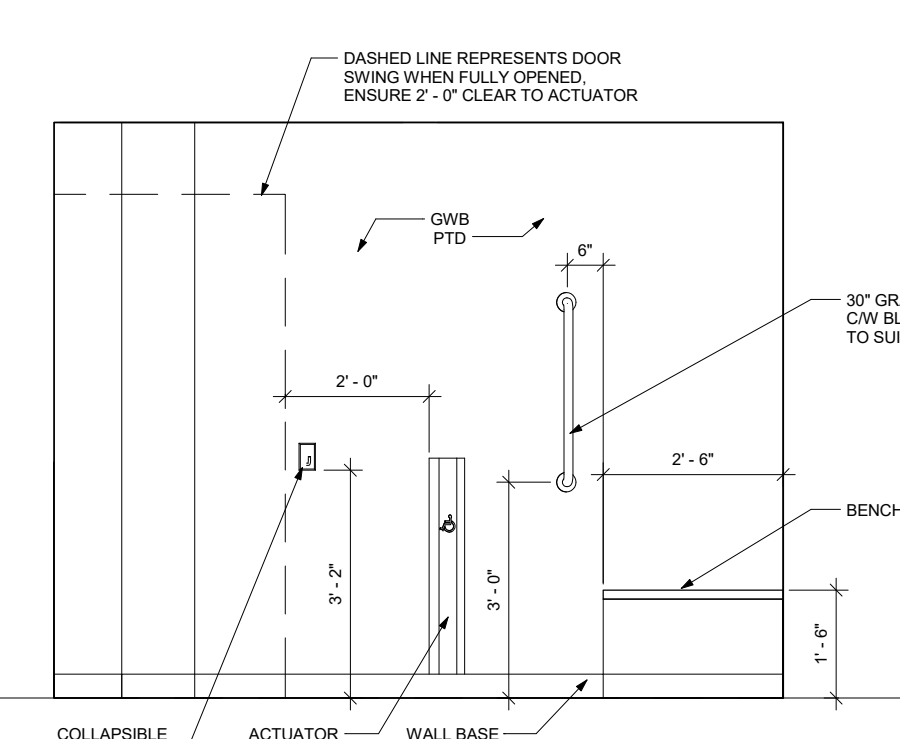
1 INTERIOR ELEVATION - UTR 104 - A
3/8" = 1'-0"



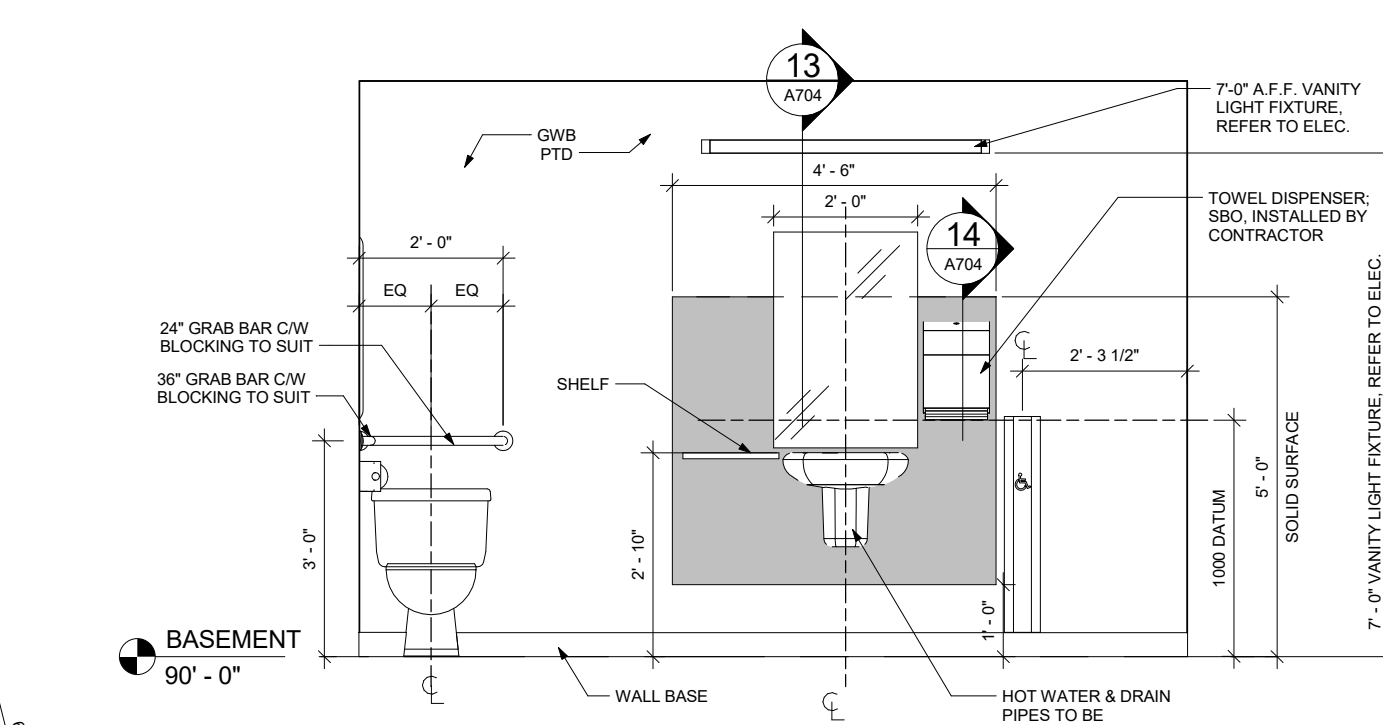
2 INTERIOR ELEVATION - UTR 104 - B
3/8" = 1'-0"



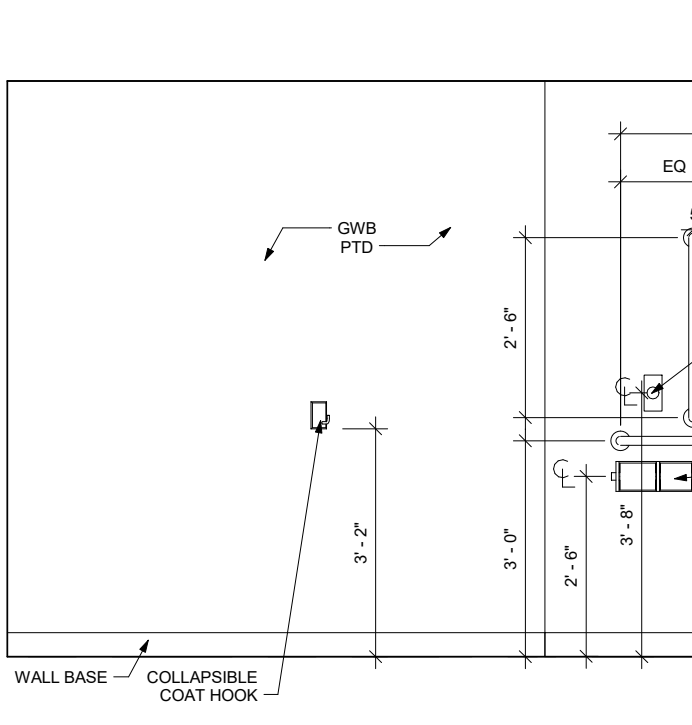
3 INTERIOR ELEVATION - UTR 104 - C
3/8" = 1'-0"



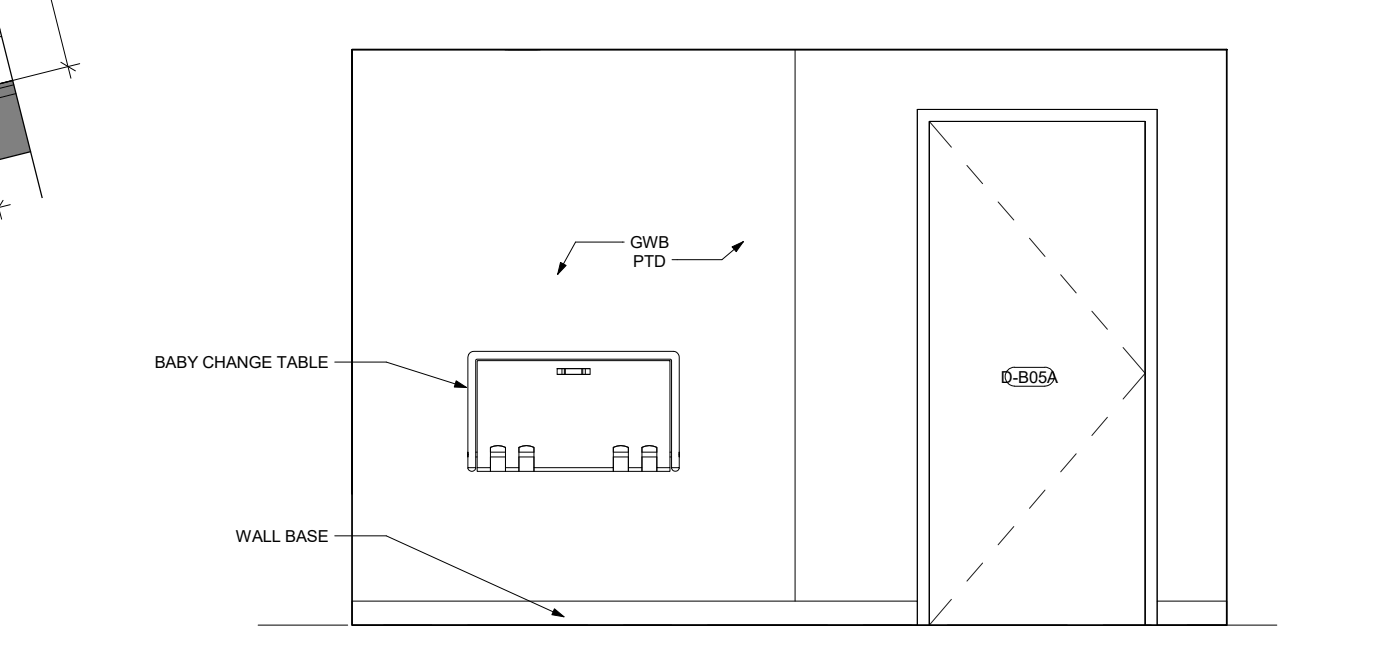
4 INTERIOR ELEVATION - UTR 104 - D
3/8" = 1'-0"



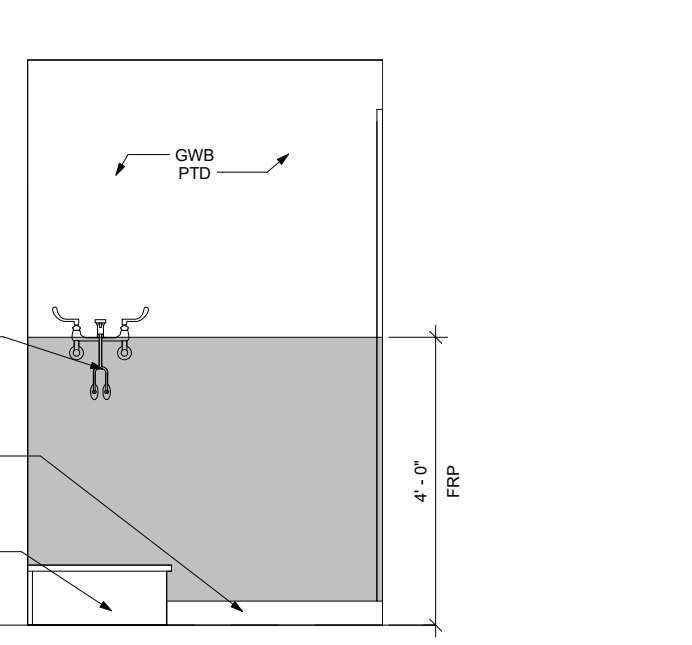
9 INTERIOR ELEVATION - UTR B-05 - A
3/8" = 1'-0"



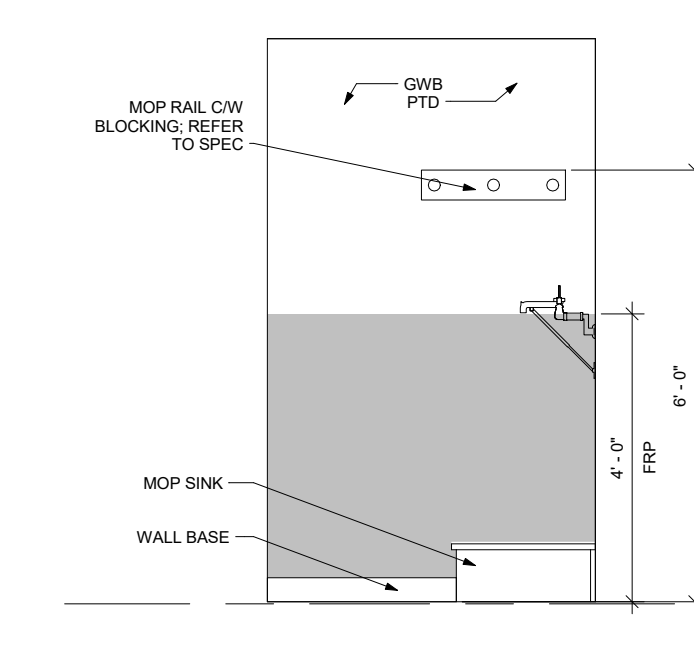
10 INTERIOR ELEVATION - UTR B-05 - B
3/8" = 1'-0"



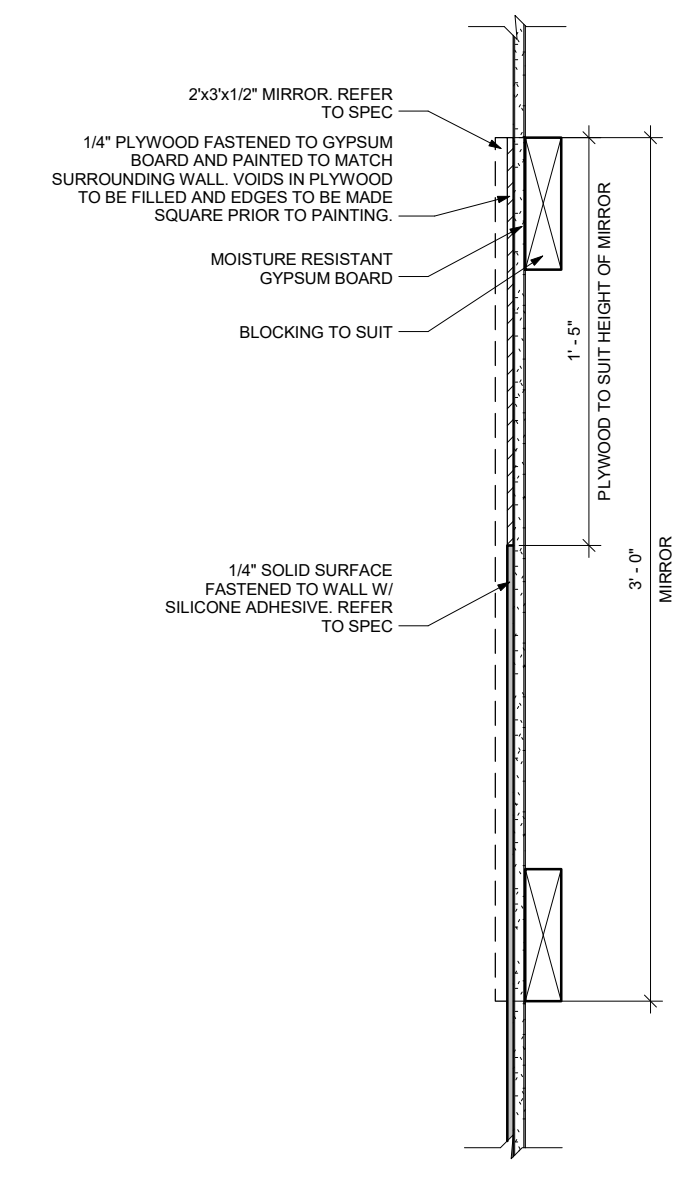
11 INTERIOR ELEVATION - UTR B-05 - C
3/8" = 1'-0"



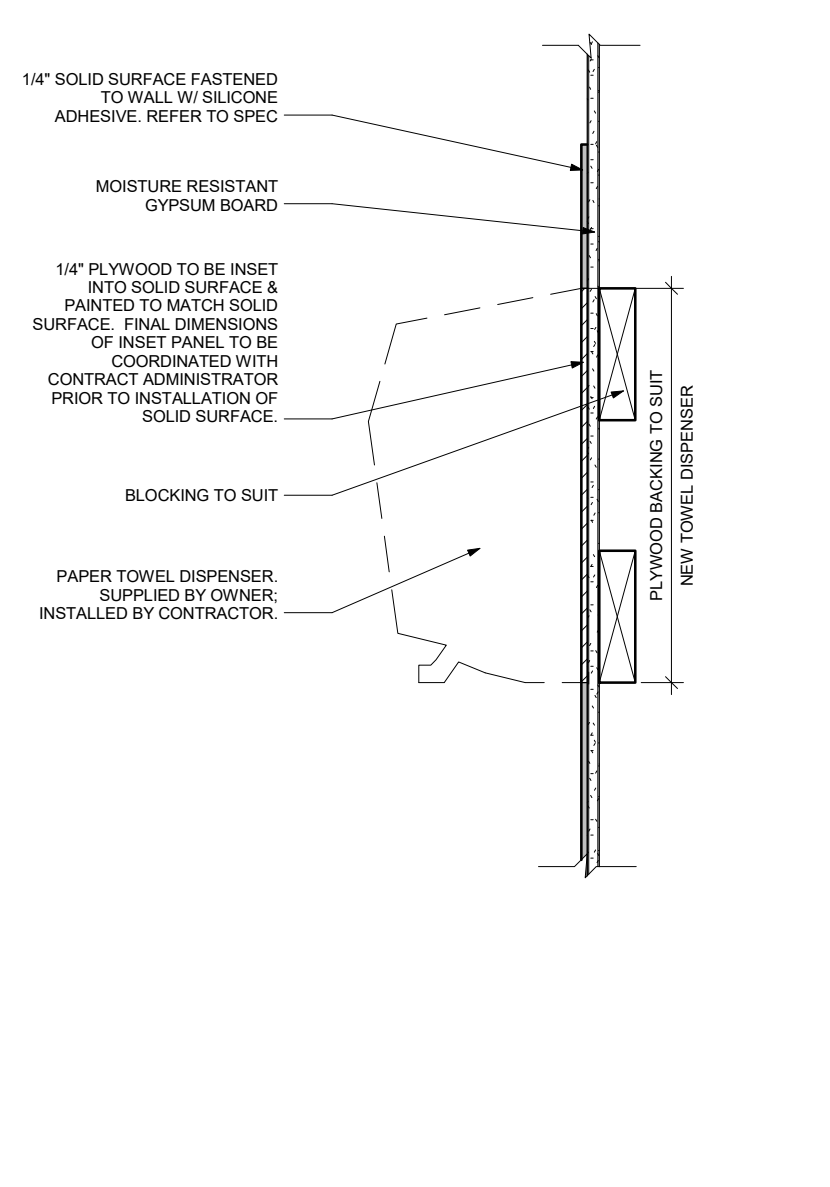
15 INTERIOR ELEVATION - JANITOR'S CLOSET - B08-B
3/8" = 1'-0"



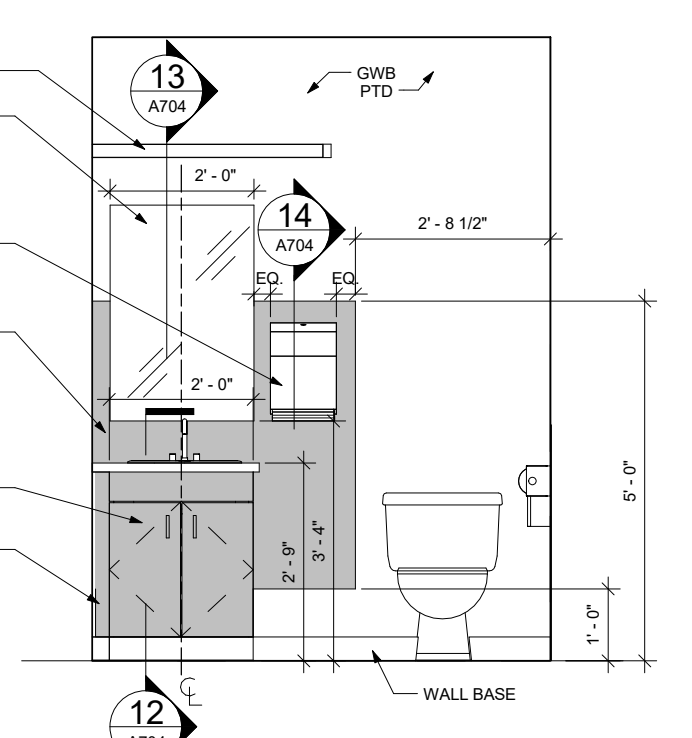
16 INTERIOR ELEVATION - JANITOR'S CLOSET-B08-A
3/8" = 1'-0"



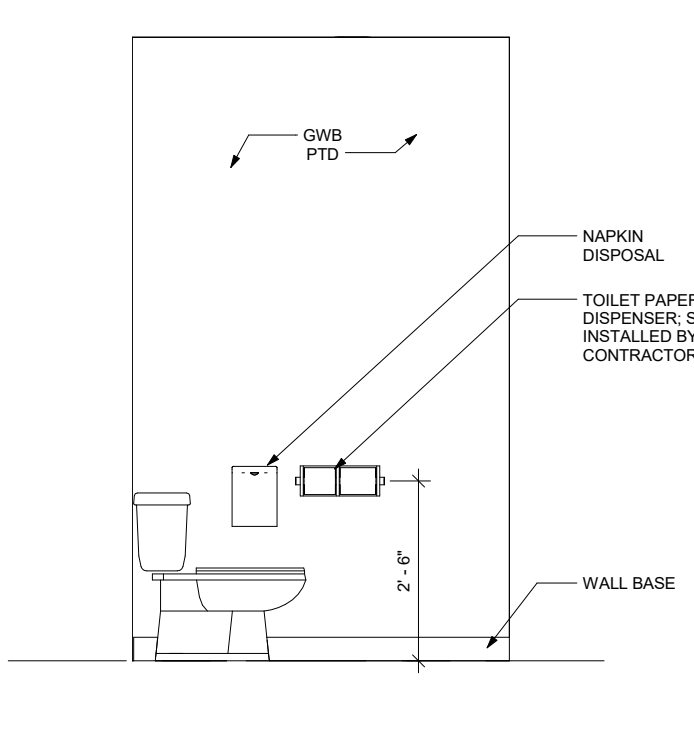
13 MIRROR DETAIL @ WALL
1 1/2" = 1'-0"



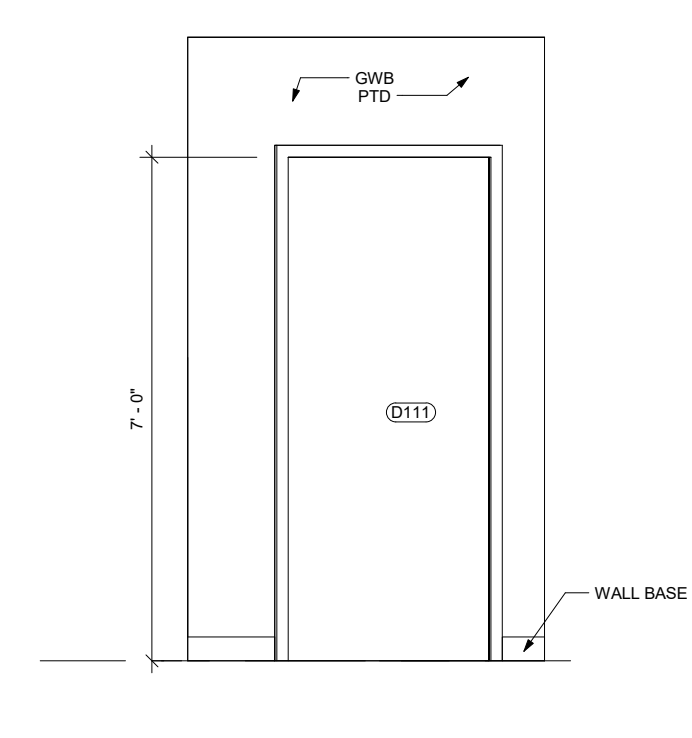
14 TOWEL DISPENSER DETAIL @ WALL
1 1/2" = 1'-0"



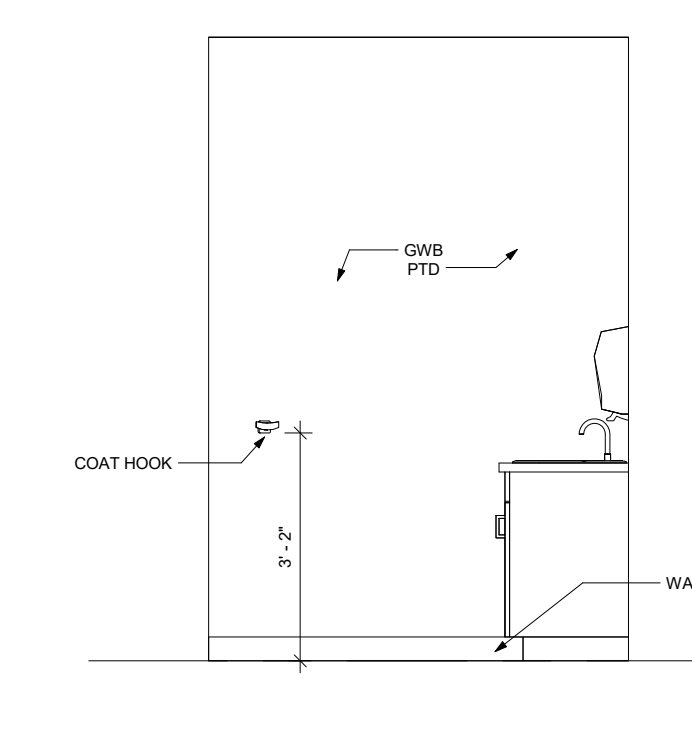
5 INTERIOR ELEVATION - STAFF W/C 111 - A
3/8" = 1'-0"



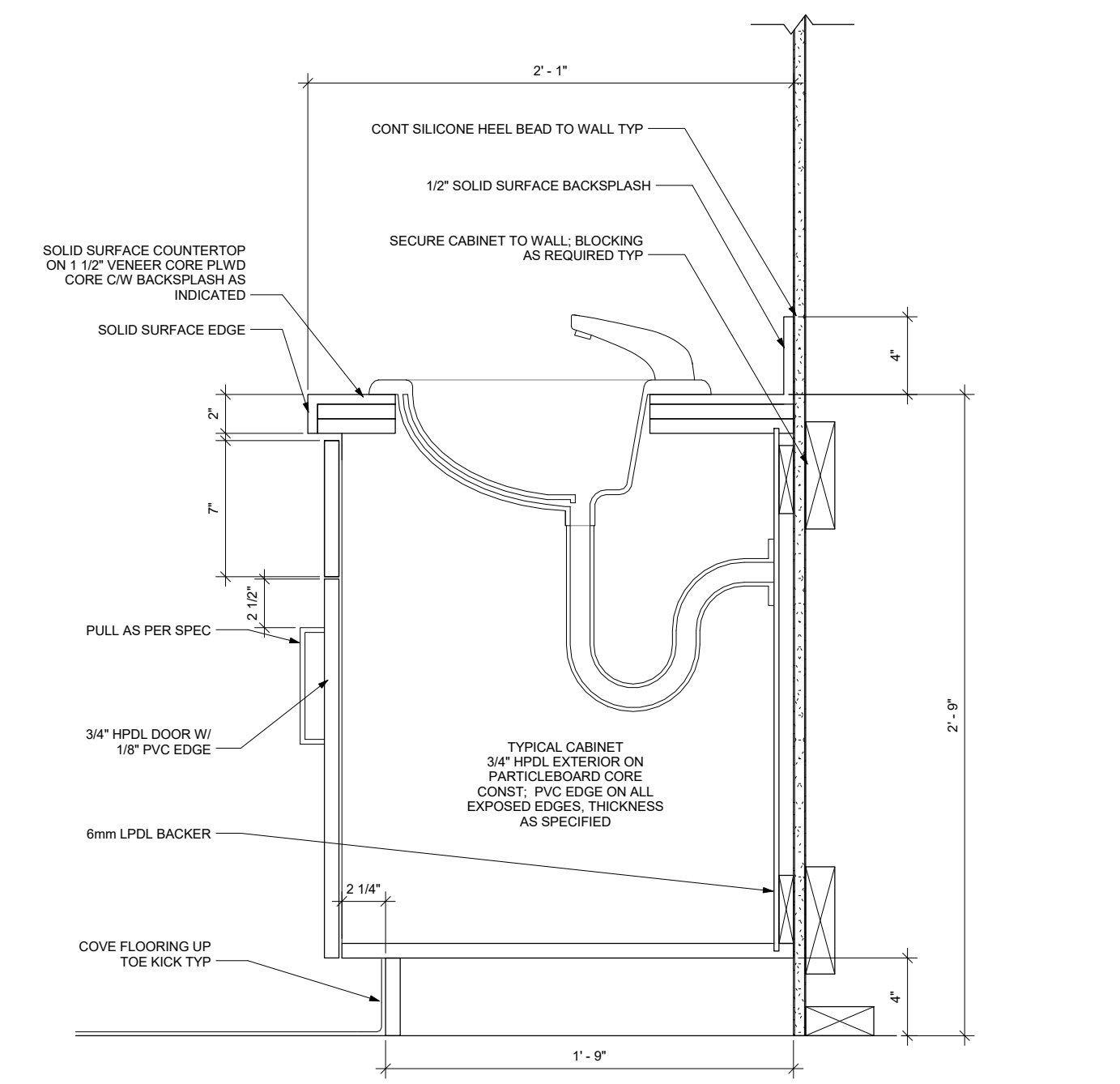
6 INTERIOR ELEVATION - STAFF W/C 111 - B
3/8" = 1'-0"



7 INTERIOR ELEVATION - STAFF W/C 111 - C
3/8" = 1'-0"



8 INTERIOR ELEVATION - STAFF W/C 111 - D
3/8" = 1'-0"



12 STAFF W/C VANITY
1 1/2" = 1'-0"

