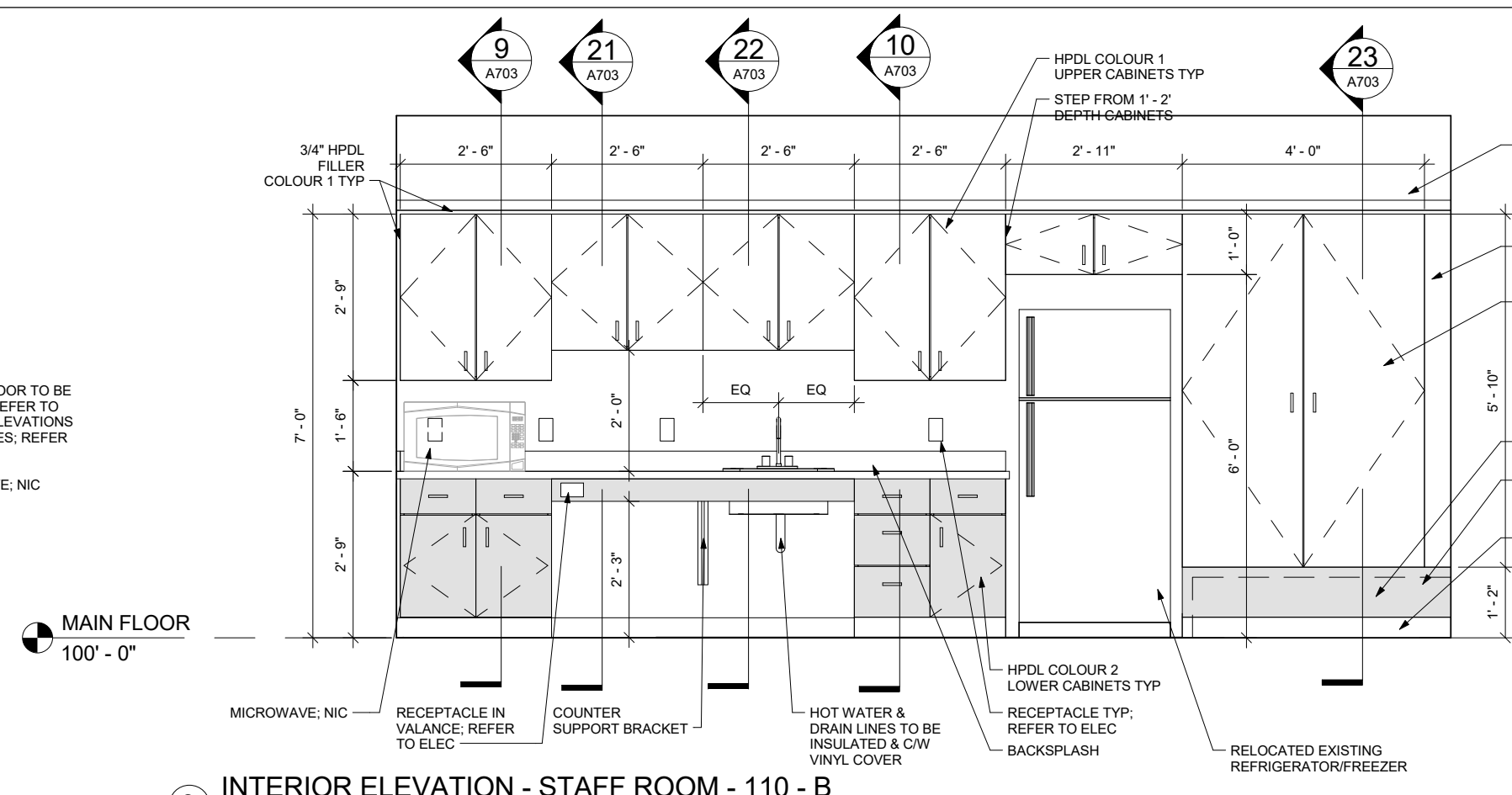
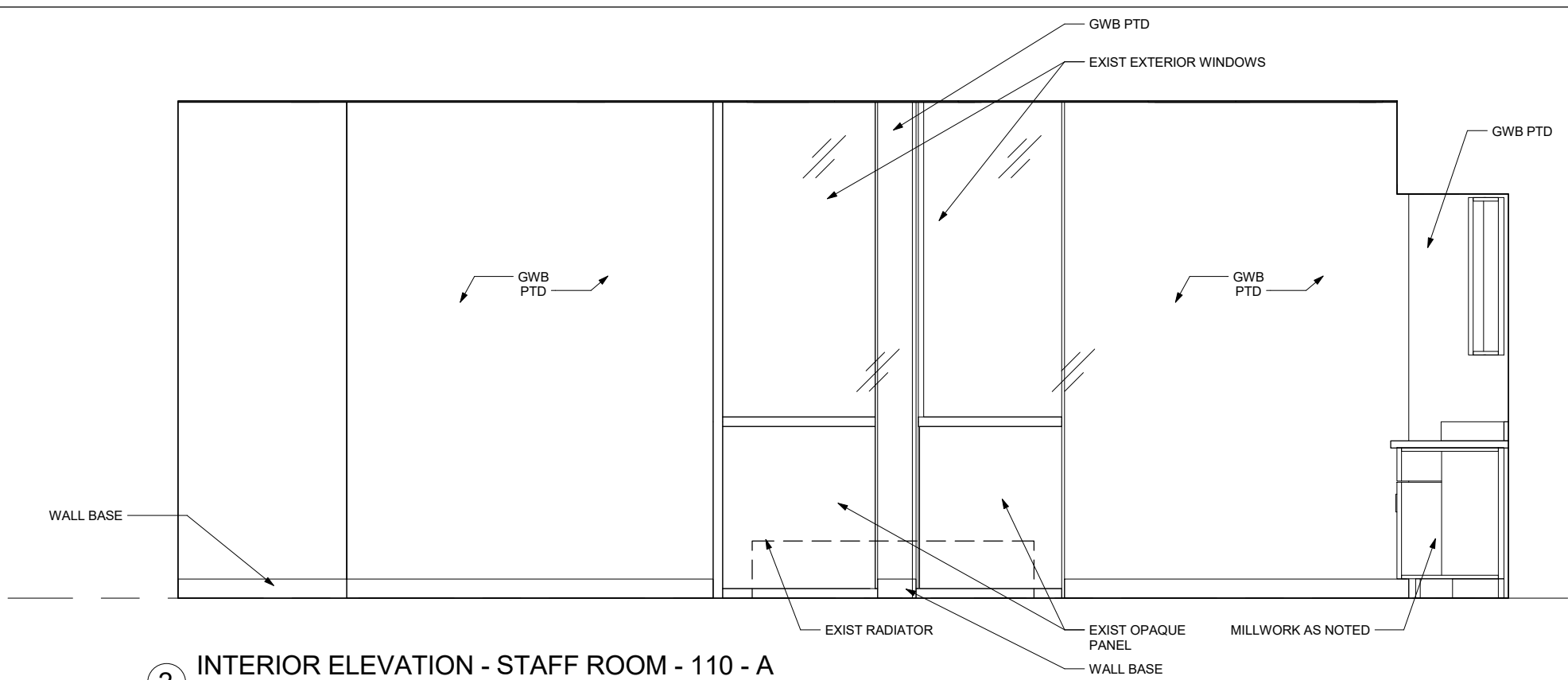


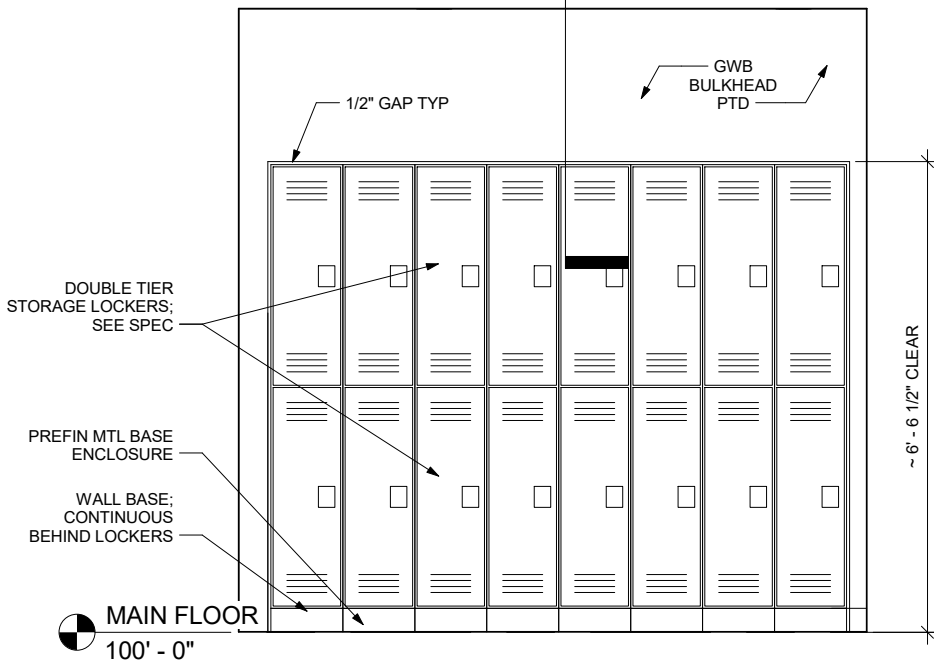
11 LARGE SCALE PLAN - STAFF KITCHENETTE
3/8" = 1'-0"



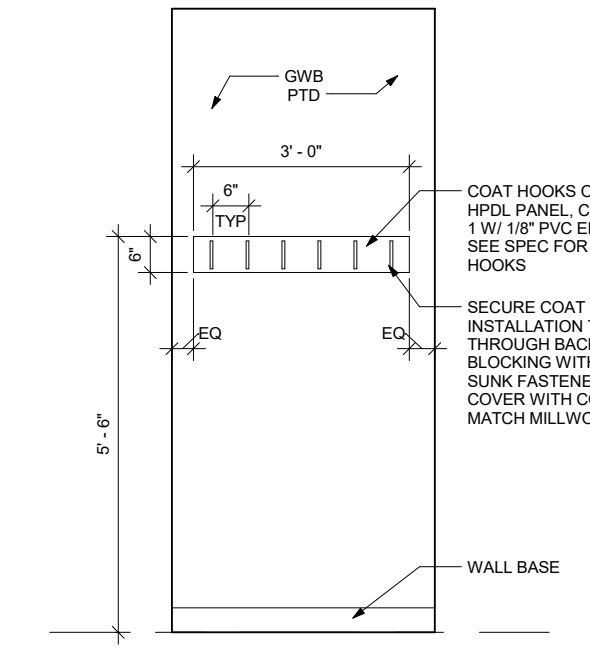
3 INTERIOR ELEVATION - STAFF ROOM - 110 - B
3/8" = 1'-0"



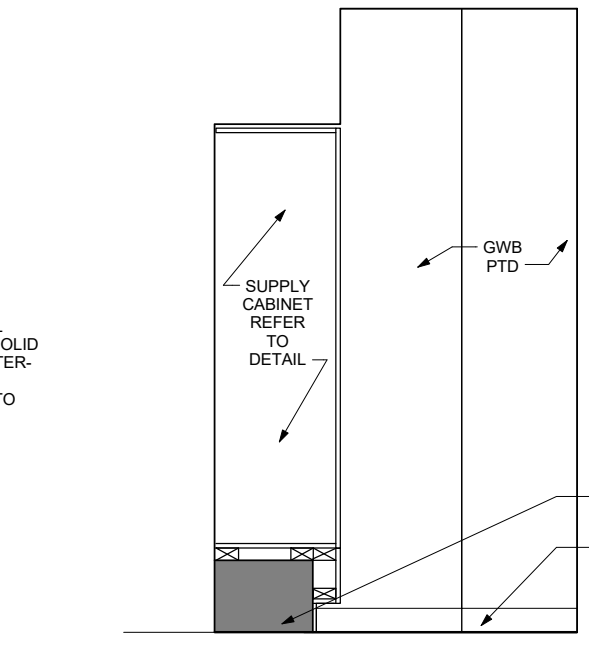
2 INTERIOR ELEVATION - STAFF ROOM - 110 - A
3/8" = 1'-0"



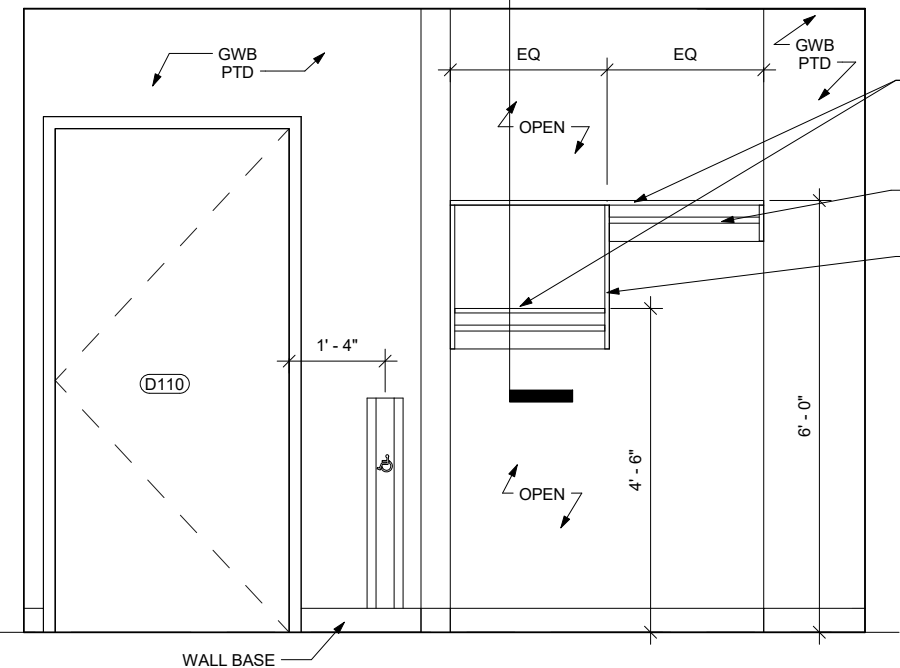
6 INTERIOR ELEVATION - STAFF ROOM 110 - E
3/8" = 1'-0"



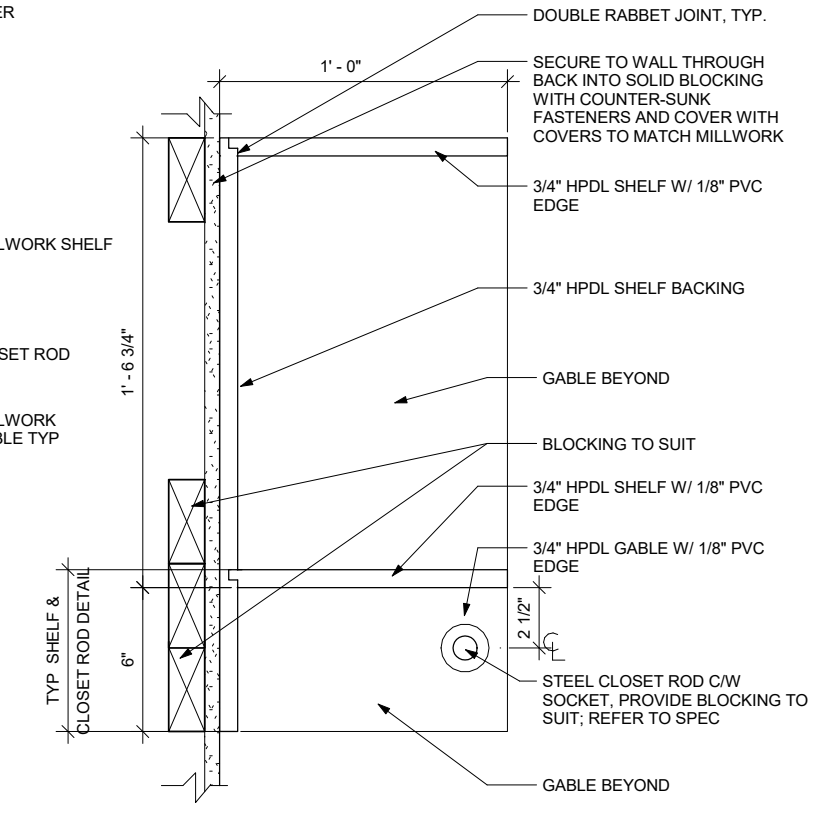
7 INTERIOR ELEVATION - STAFF ROOM - 110 - F
3/8" = 1'-0"



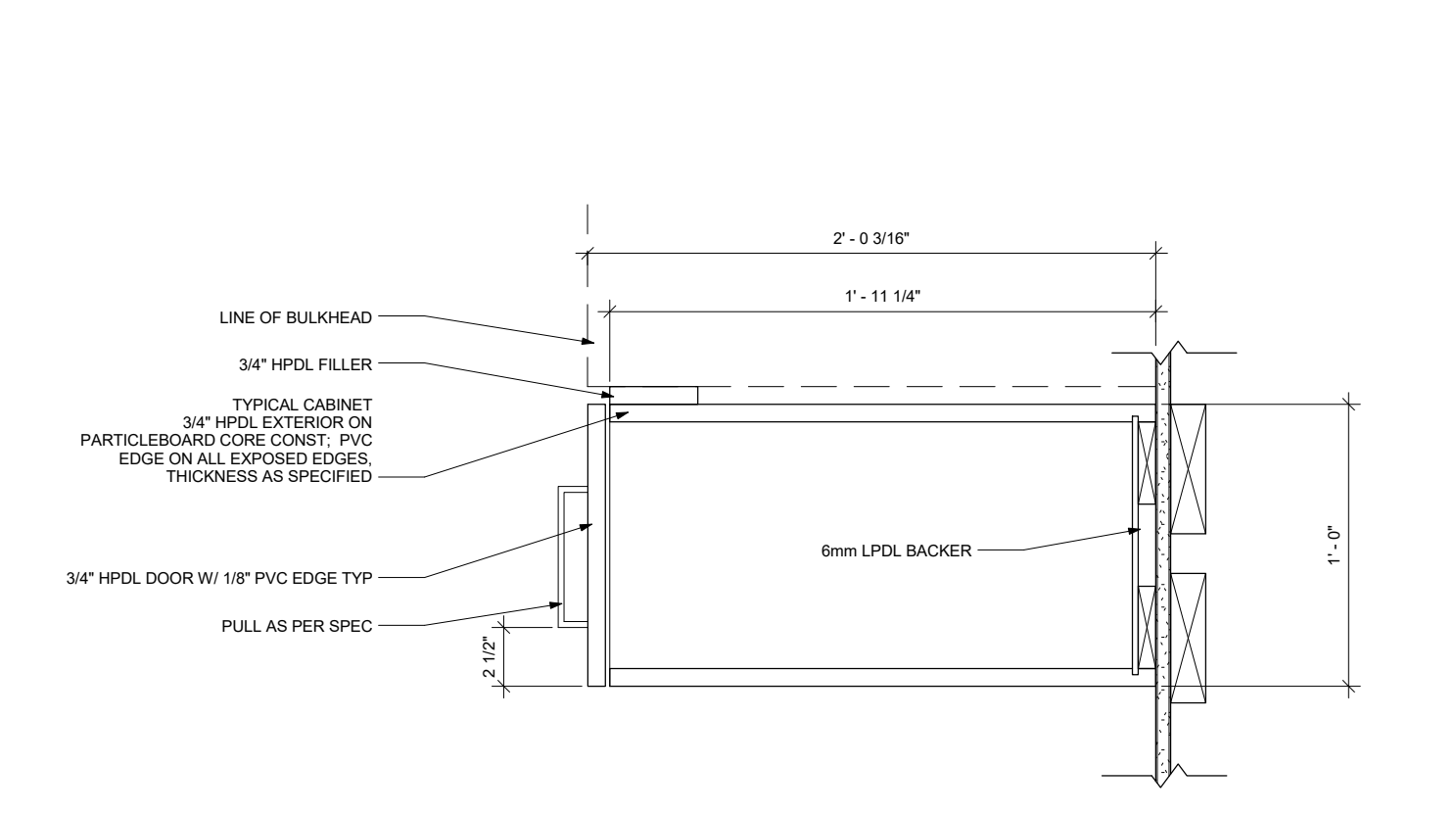
4 INTERIOR ELEVATION - STAFF ROOM - 110 - C
3/8" = 1'-0"



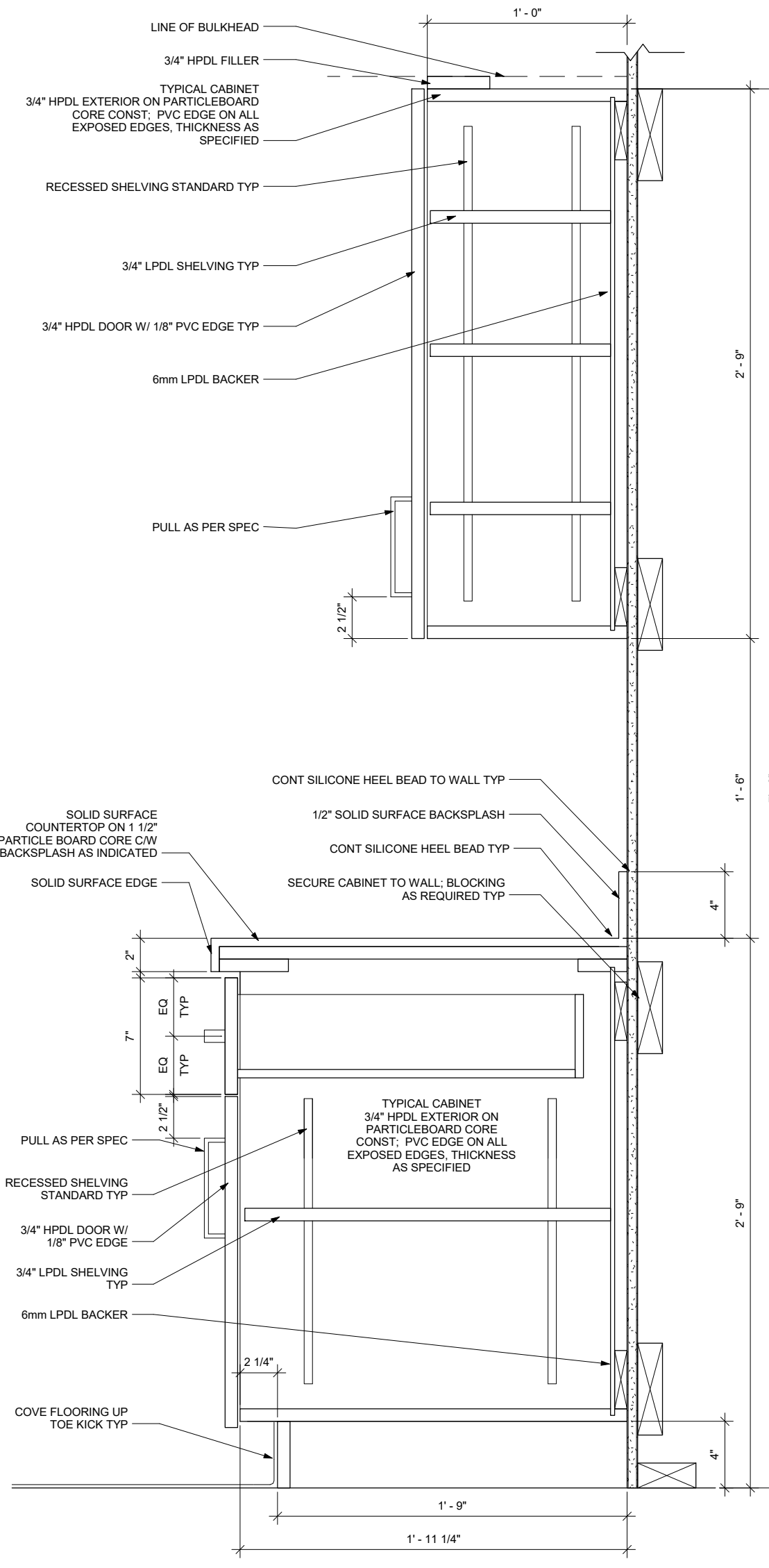
5 INTERIOR ELEVATION - STAFF ROOM 110 - D
3/8" = 1'-0"



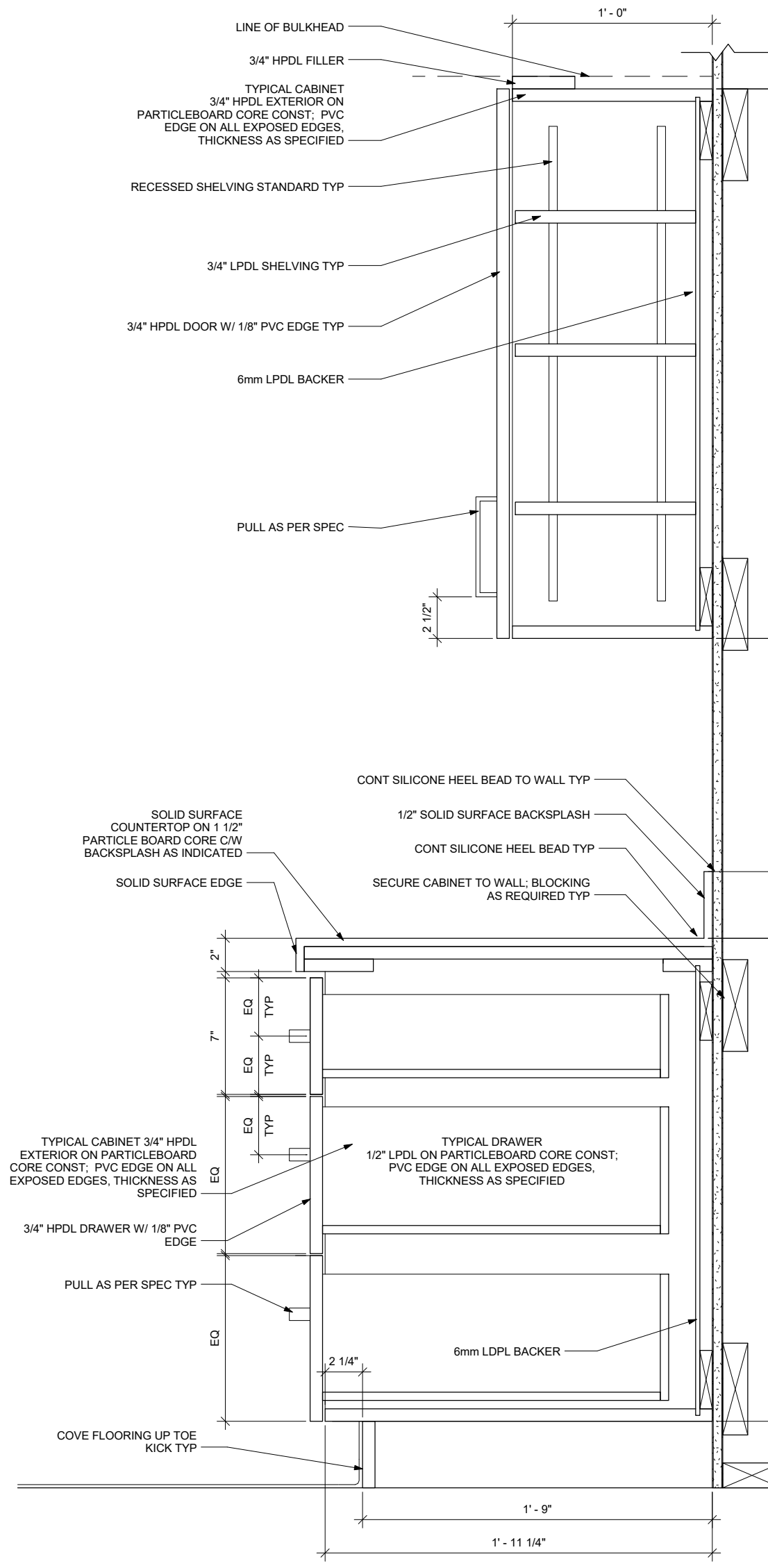
24 SECTION DETAIL - COAT SHELF AND ROD
1/12" = 1'-0"



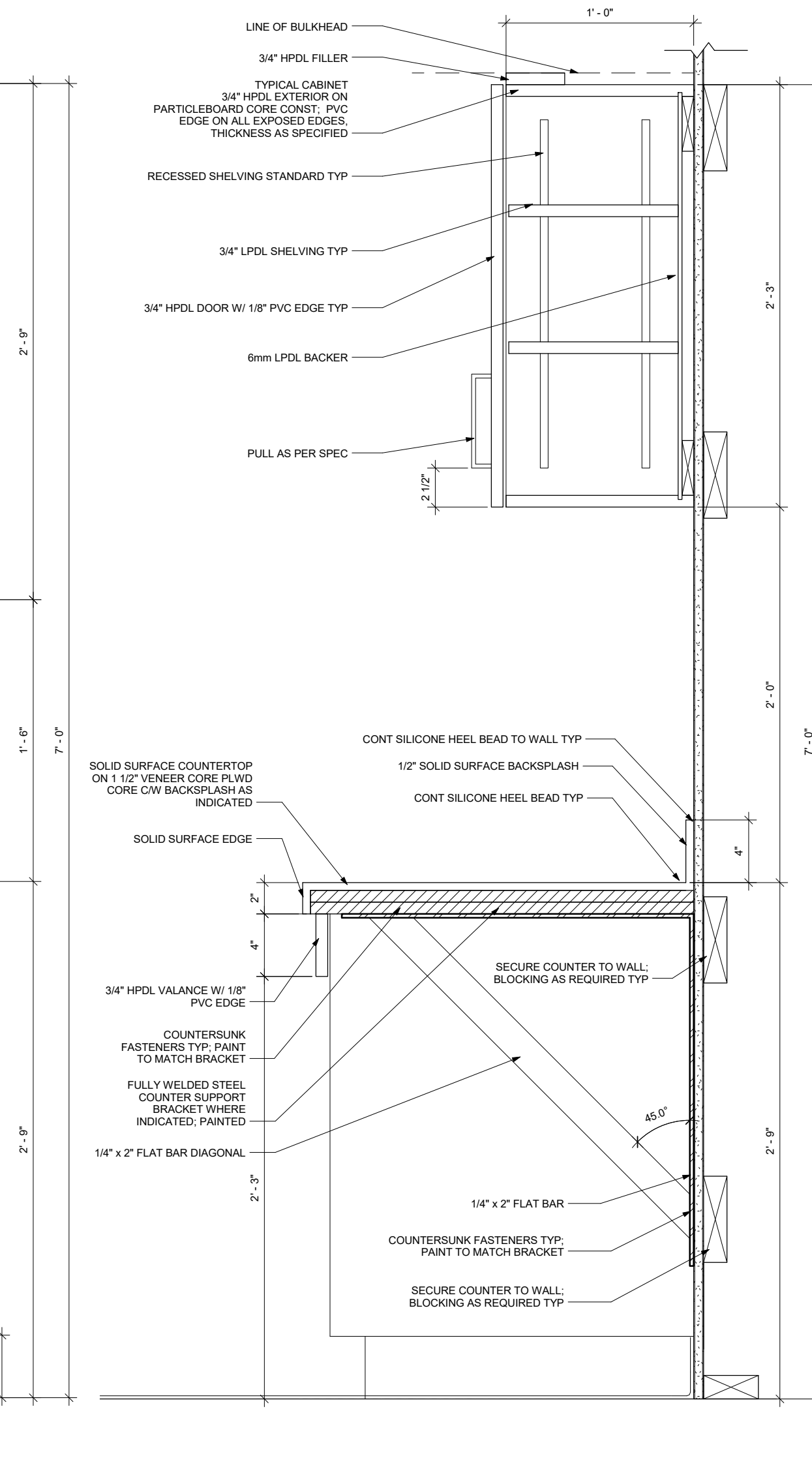
1 CABINET OVER FRIDGE
1/12" = 1'-0"



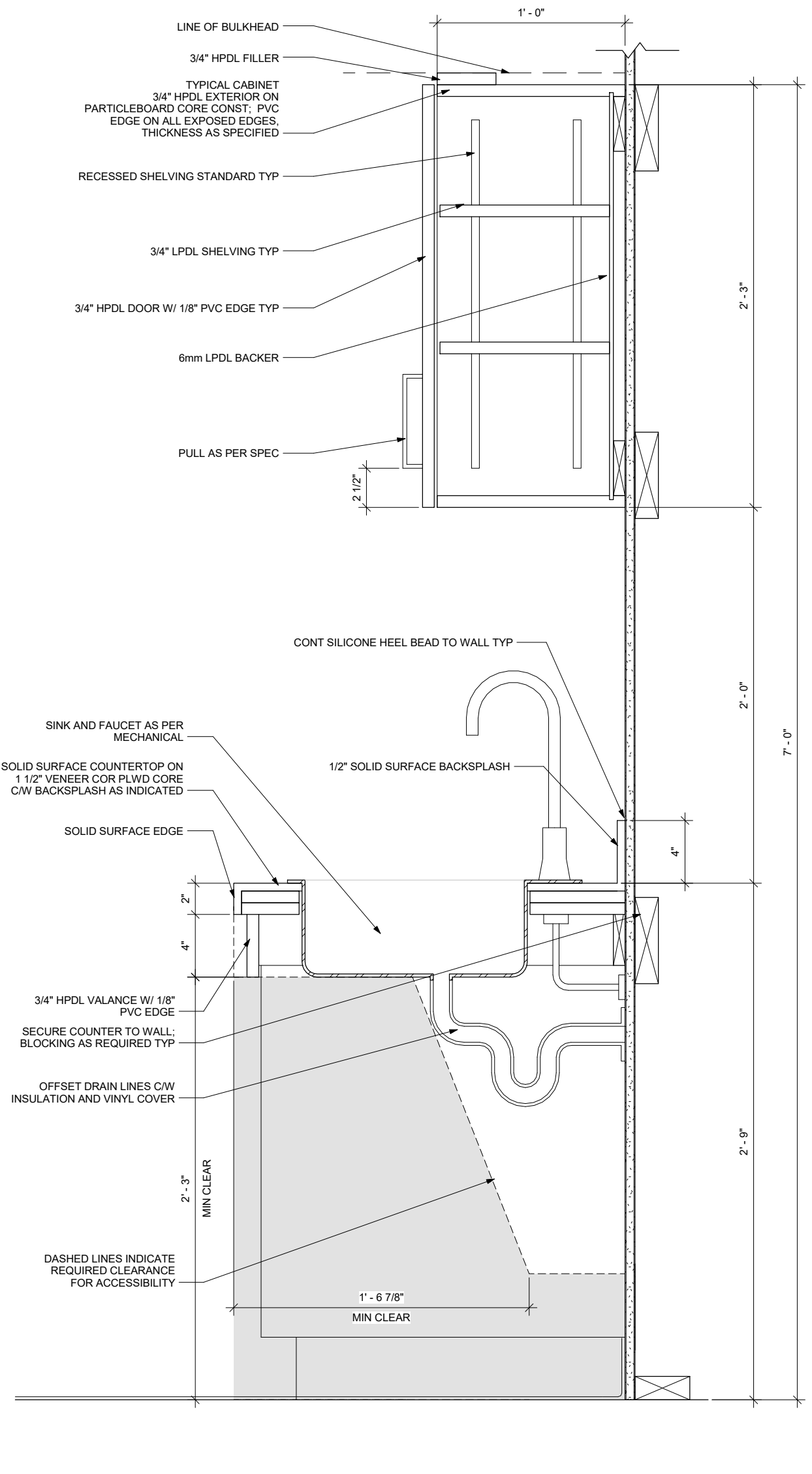
9 TYPICAL KITCHENETTE CUPBOARDS
1/12" = 1'-0"



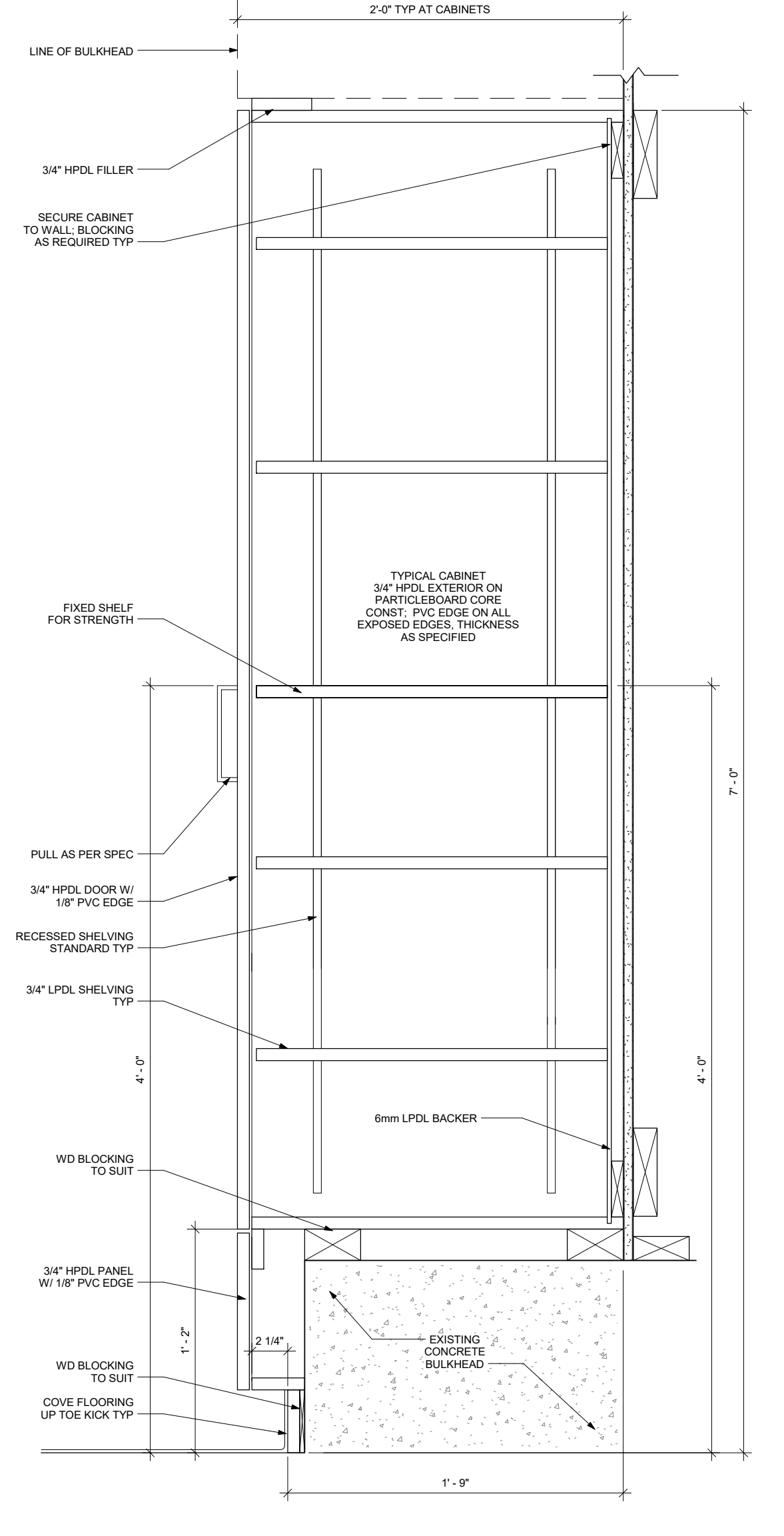
10 TYPICAL KITCHENETTE DRAWERS
1/12" = 1'-0"



21 ACCESSIBLE KITCHENETTE COUNTER
1/12" = 1'-0"



22 ACCESSIBLE KITCHENETTE SINK
1/12" = 1'-0"



23 KITCHENETTE STORAGE CABINET
1/12" = 1'-0"