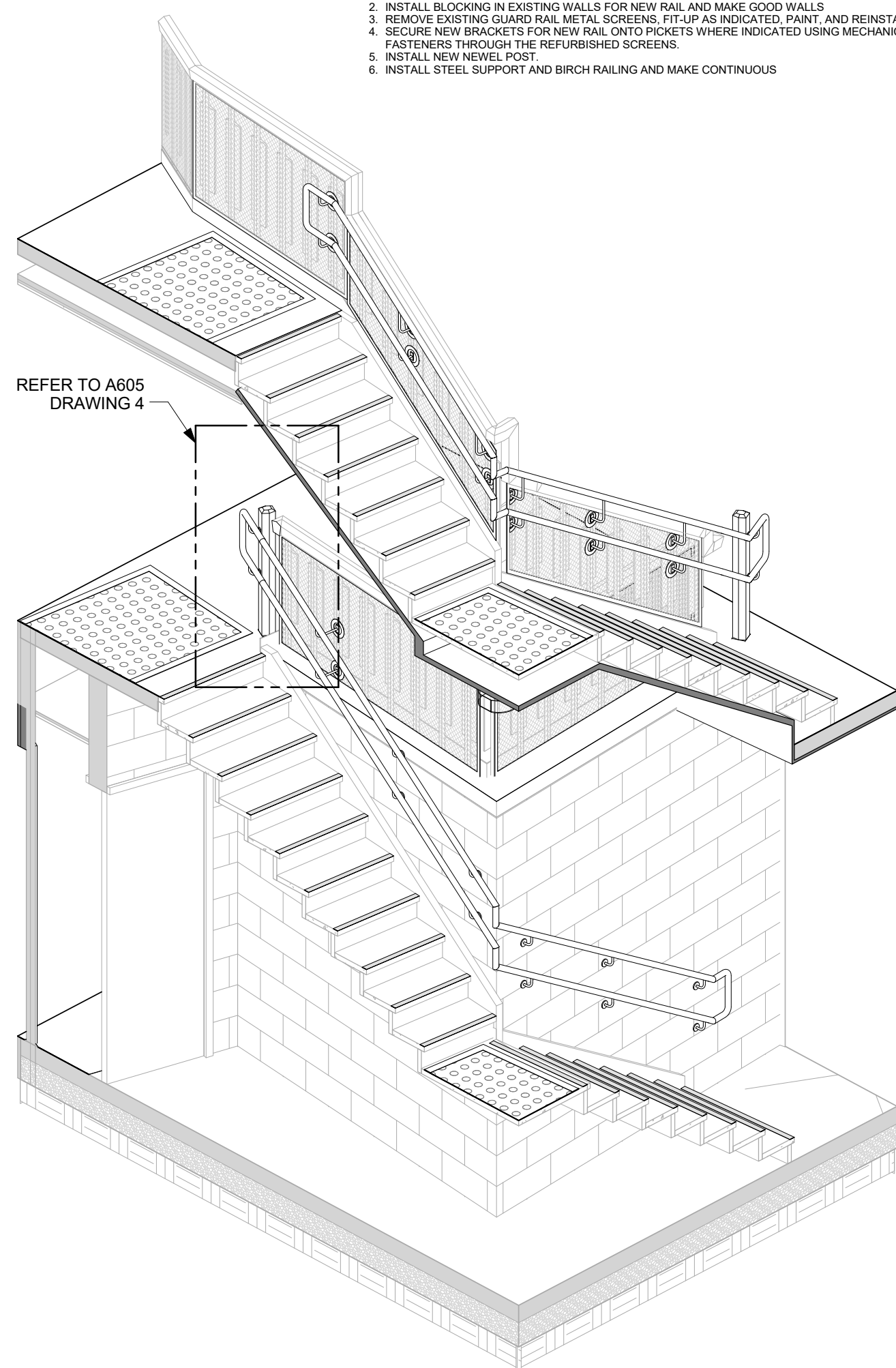


- GENERAL NOTES:**
- LIGHT LINES INDICATE EXISTING TO REMAIN
 - DARK LINES INDICATE NEW
 - REFER TO A605 FOR ALL STAIR FINISHES
 - REFER TO A602 FOR ALL STAIR TREAD DETAILS
 - ALL NEW WOOD HANDRAILS, GUARDS AND NEWEL POSTS TO BE SOLID BIRCH. REFER TO SPEC
 - PROVIDE CONCEALED STEEL REINFORCEMENT IN WOOD ELEMENTS AS INDICATED
 - ALL NEW WOOD HANDRAILS, GUARDS AND NEWEL POSTS TO BE CLEAR SEALED. REFER TO SPEC

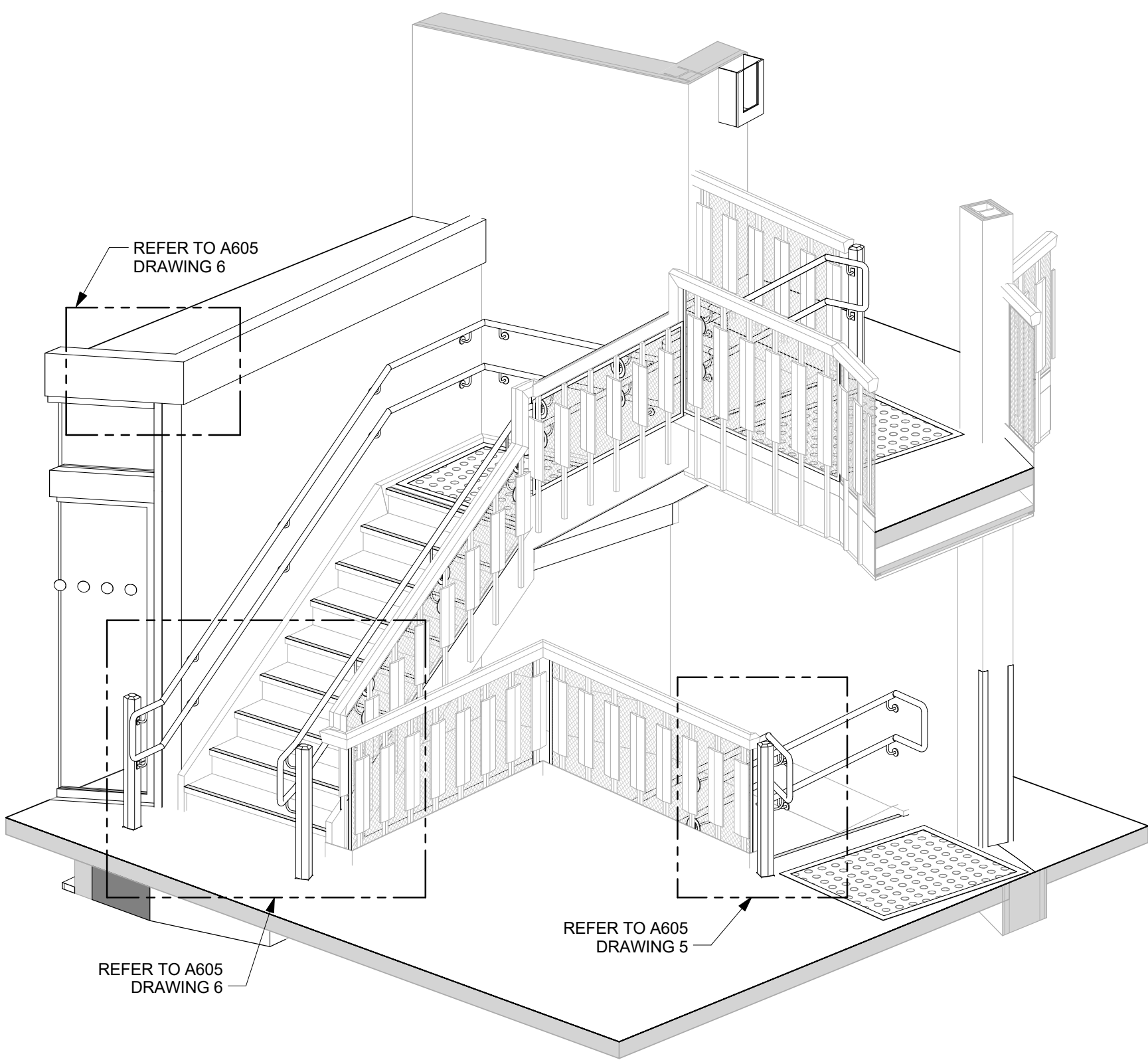
RECOMMENDED DETAILED SCOPE DESCRIPTION FOR THE STAIR RENOVATIONS:

THE INTENT OF THE WORK IS TO MEET THE REQUIREMENTS OF WABS AND BUILDING CODE. NEW RAILINGS ARE TO BE ATTACHED THROUGH THE EXISTING METAL SCREENS TO THE EXISTING PICKETS AND SECURED MECHANICALLY.

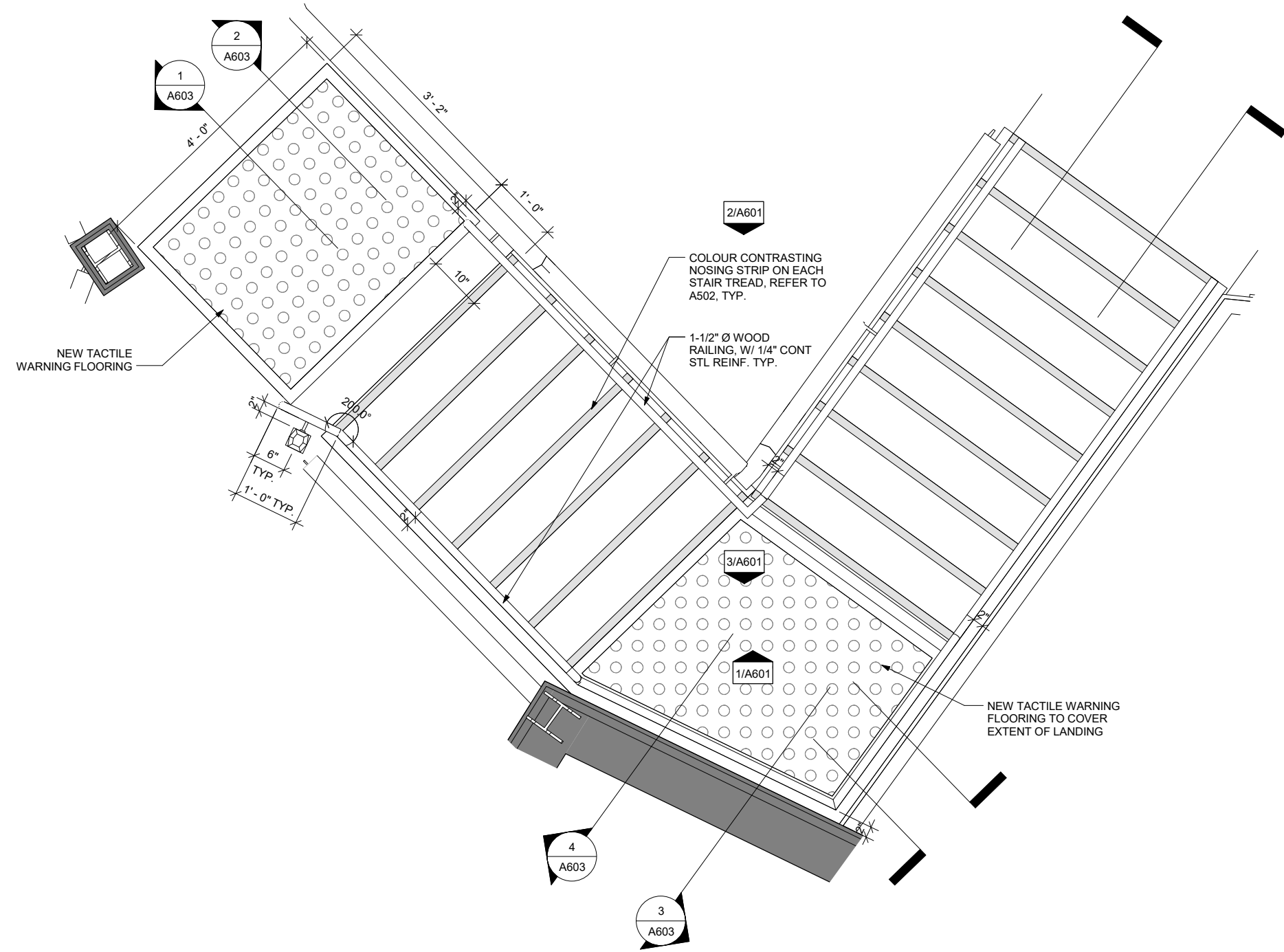
1. DISASSEMBLE RAILINGS WHERE INDICATED
2. INSTALL BLOCKING IN EXISTING WALLS FOR NEW RAIL AND MAKE GOOD WALLS
3. REMOVE EXISTING GUARD RAIL METAL SCREENS. FIT UP AS INDICATED. PAINT AND REINSTALL
4. SECURE NEW PICKETS FOR NEW RAIL ONTO PICKETS WHERE INDICATED USING MECHANICAL FASTENERS THROUGH THE REFURBISHED SCREENS.
5. INSTALL NEW NEWEL POST
6. INSTALL STEEL SUPPORT AND BIRCH RAILING AND MAKE CONTINUOUS



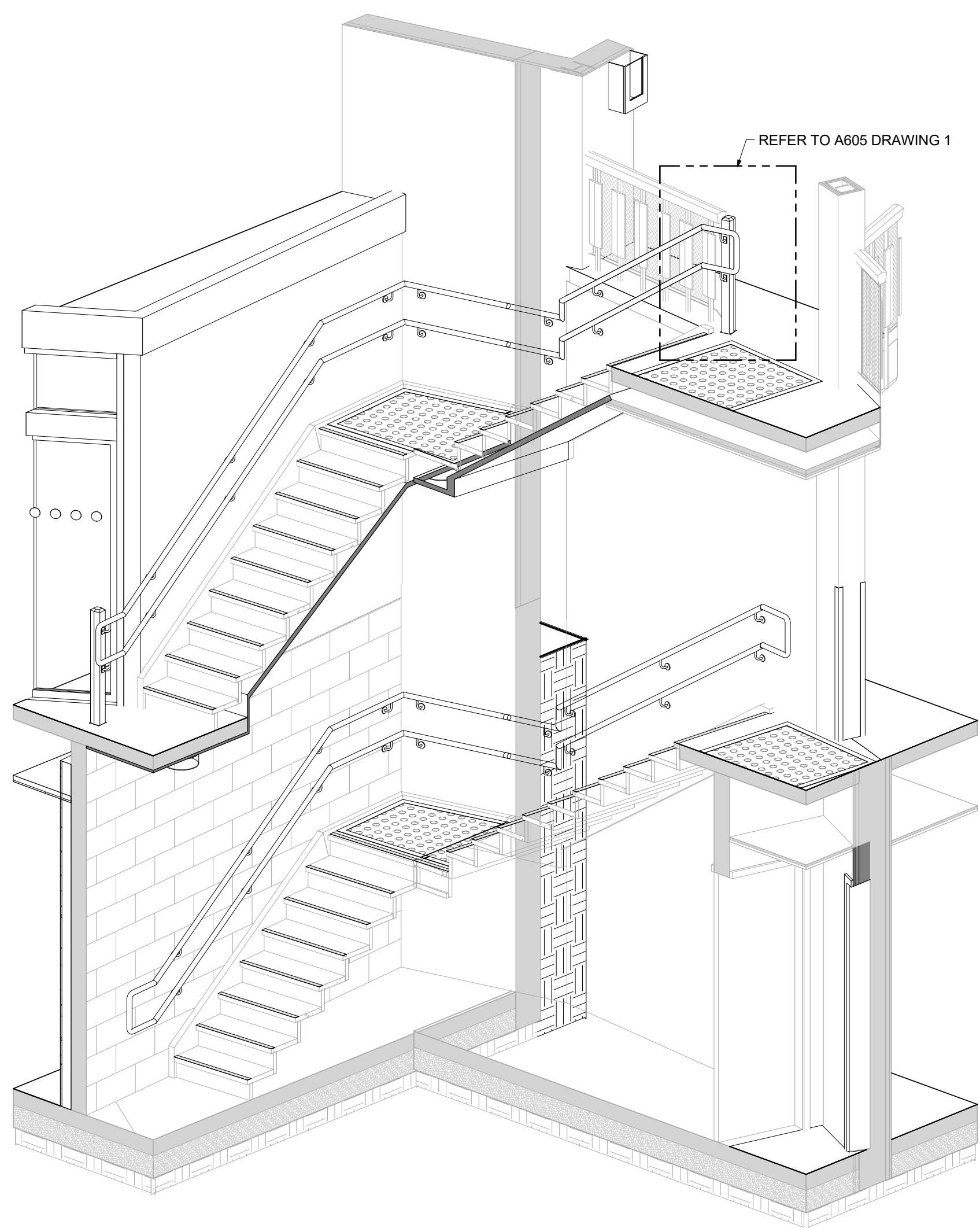
1 AXO CUT - STAIR 1 - BASEMENT FLOOR TO MEZZ 2



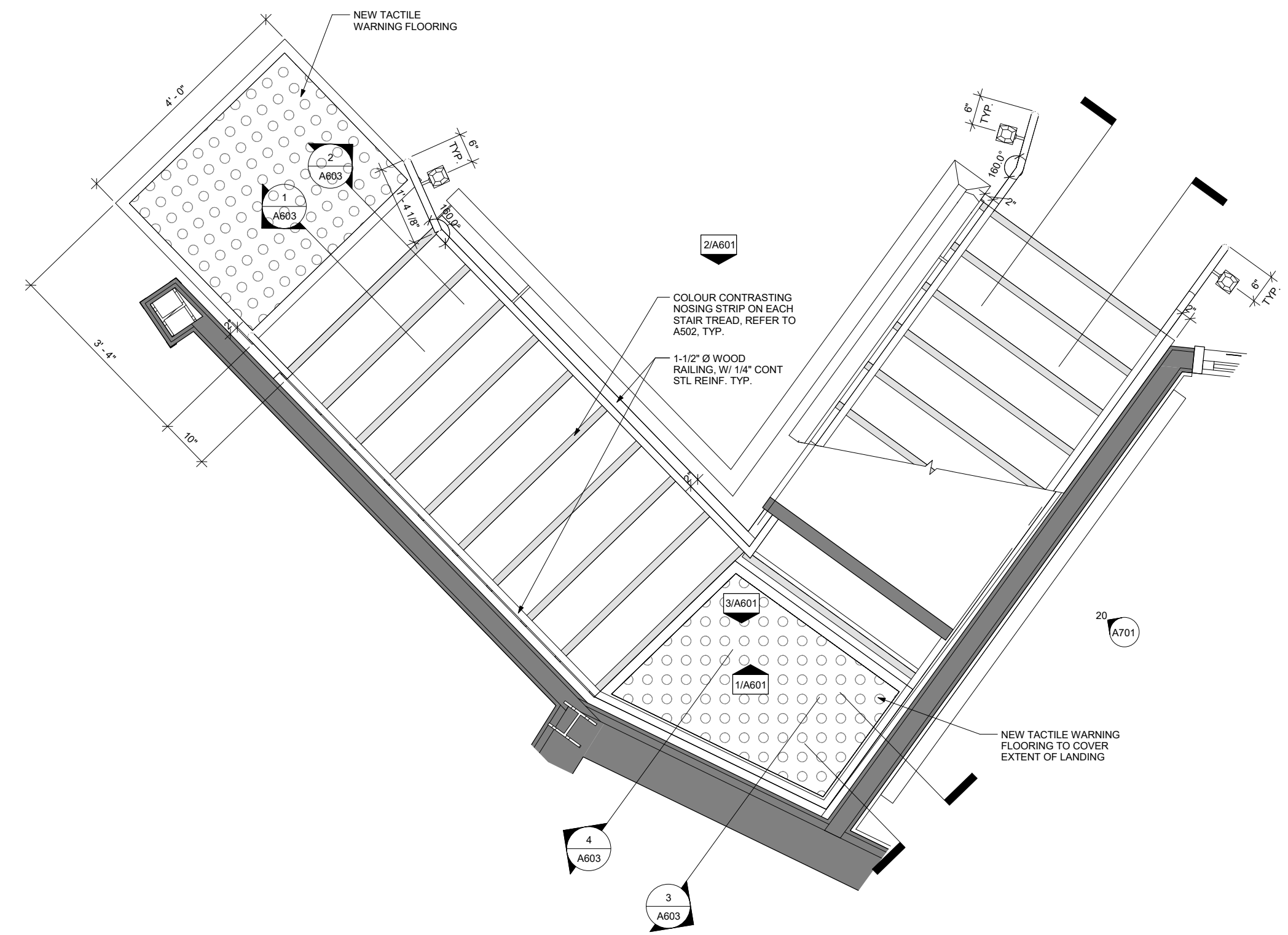
2 AXO CUT - STAIR 1 - MAIN FLOOR TO MEZZ 1



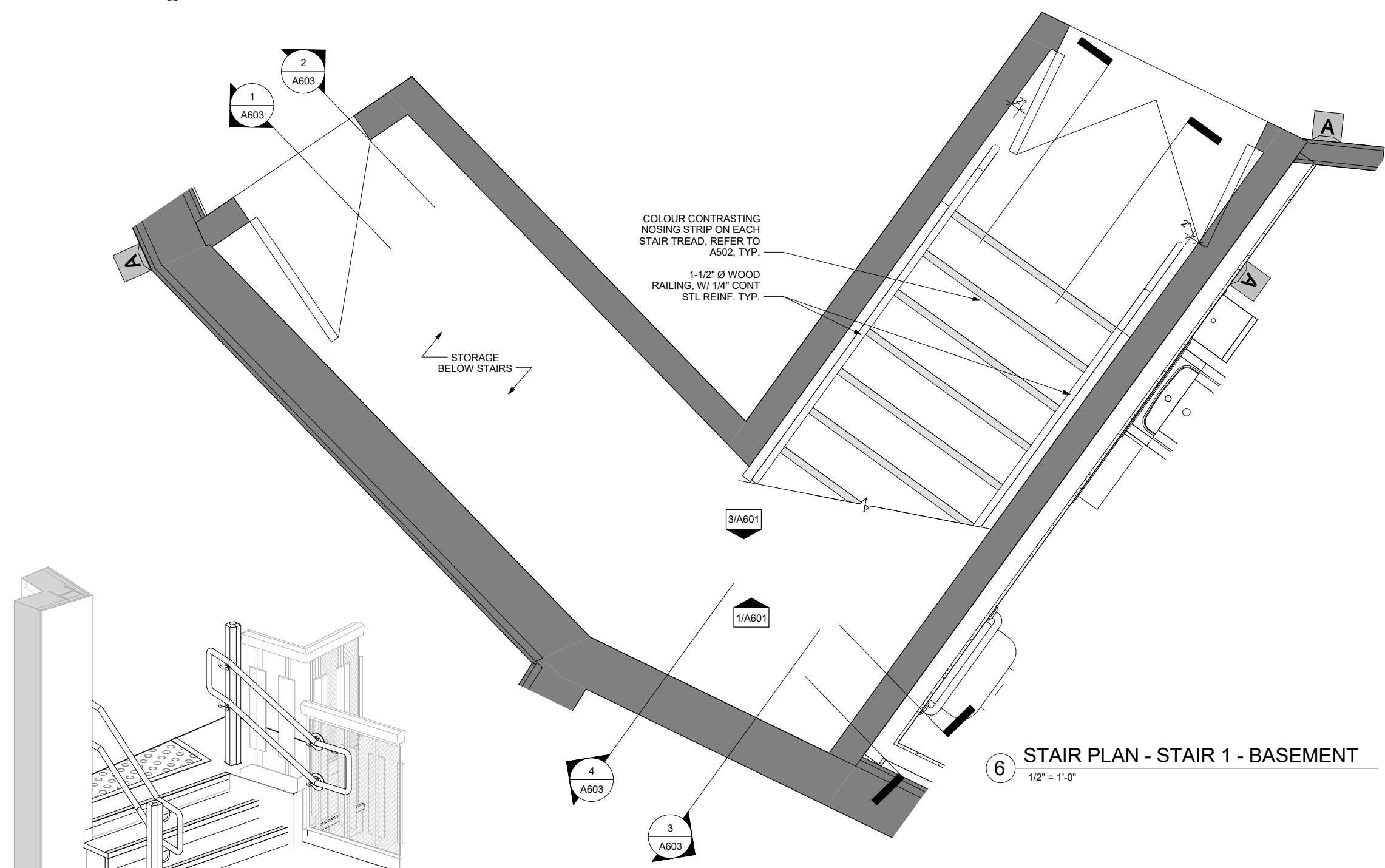
4 STAIR PLAN - STAIR 1 - MEZZANINE
1/2" = 1'-0"



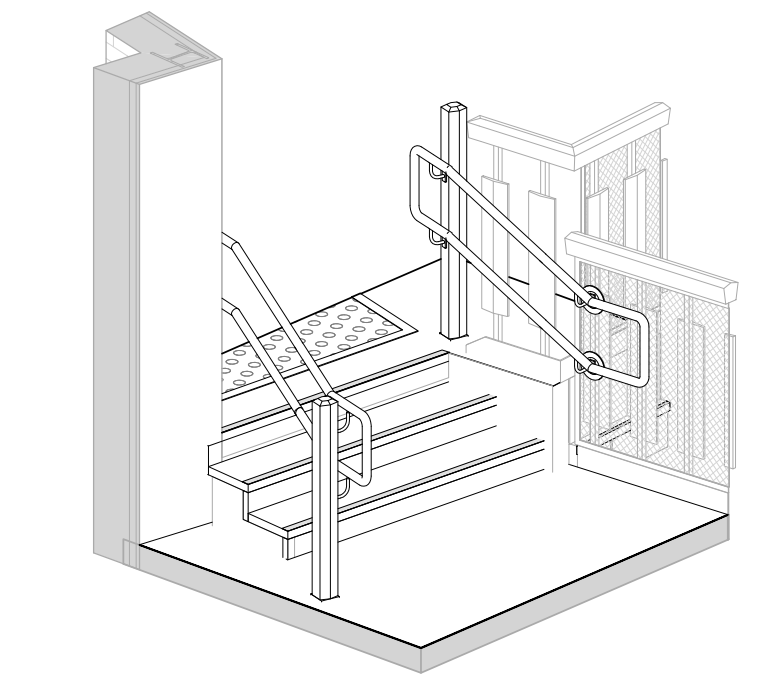
3 AXO CUT - STAIR 1 - BASEMENT TO MEZZ 1



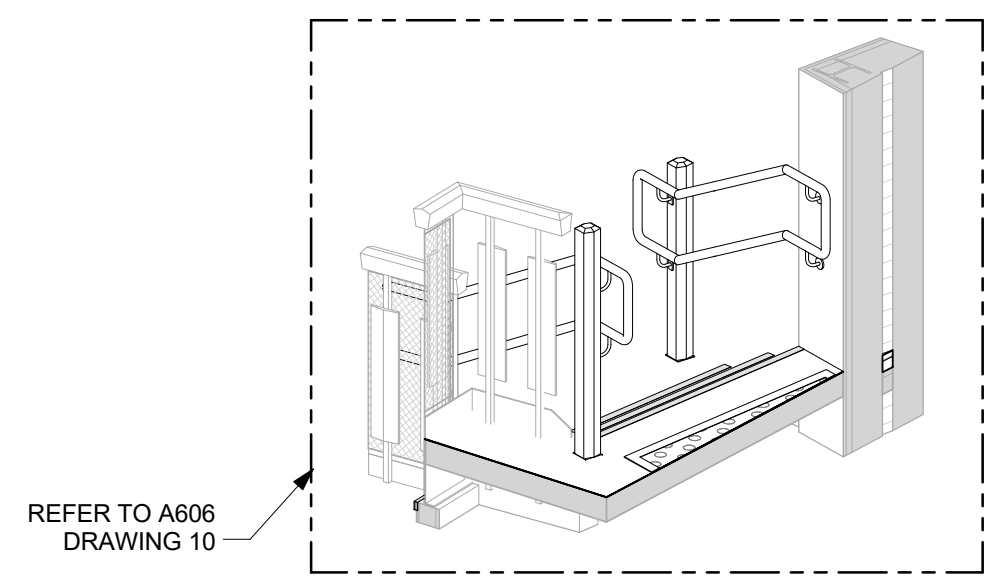
5 STAIR PLAN - STAIR 1 - MAIN FLOOR
1/2" = 1'-0"



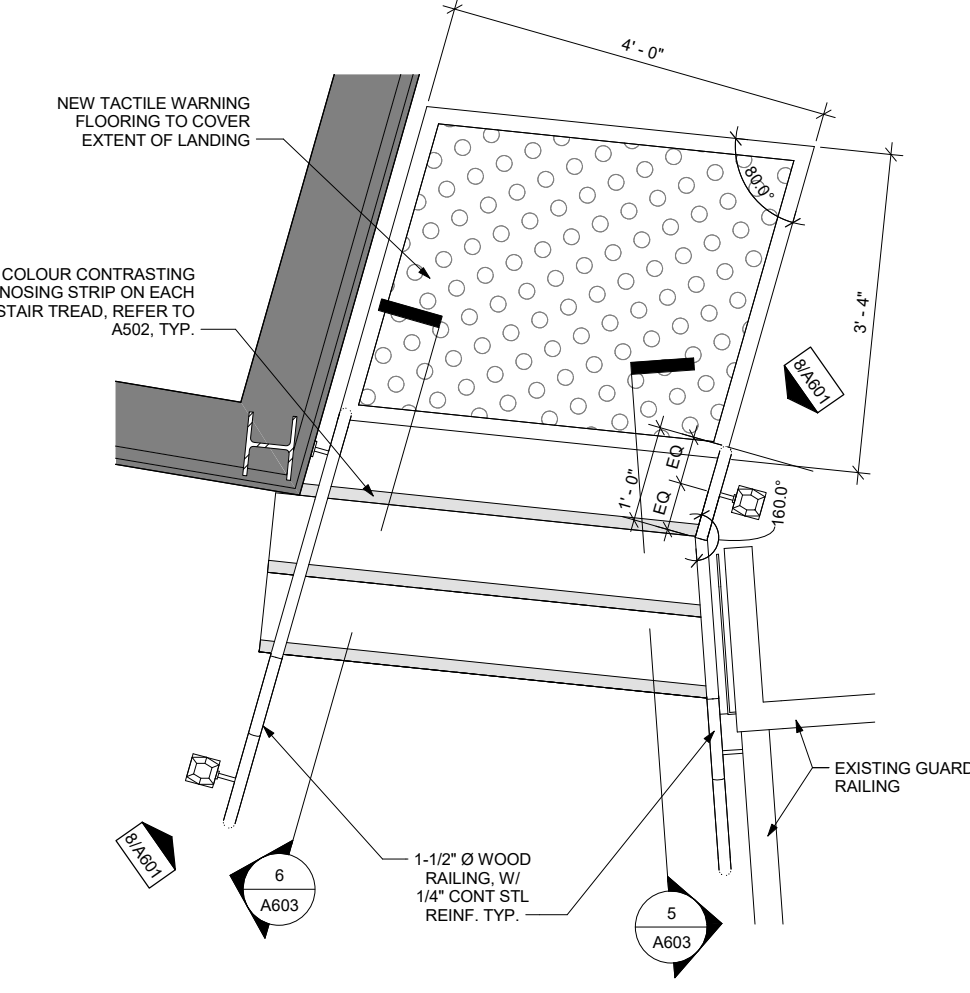
6 STAIR PLAN - STAIR 1 - BASEMENT
1/2" = 1'-0"



8 AXO CUT - STAIR - MEZZANINE CONNECTION



9 AXO CUT - STAIR - MEZZANINE CONNECTION



7 STAIR PLAN - MEZZANINE CONNECTION
1/2" = 1'-0"

