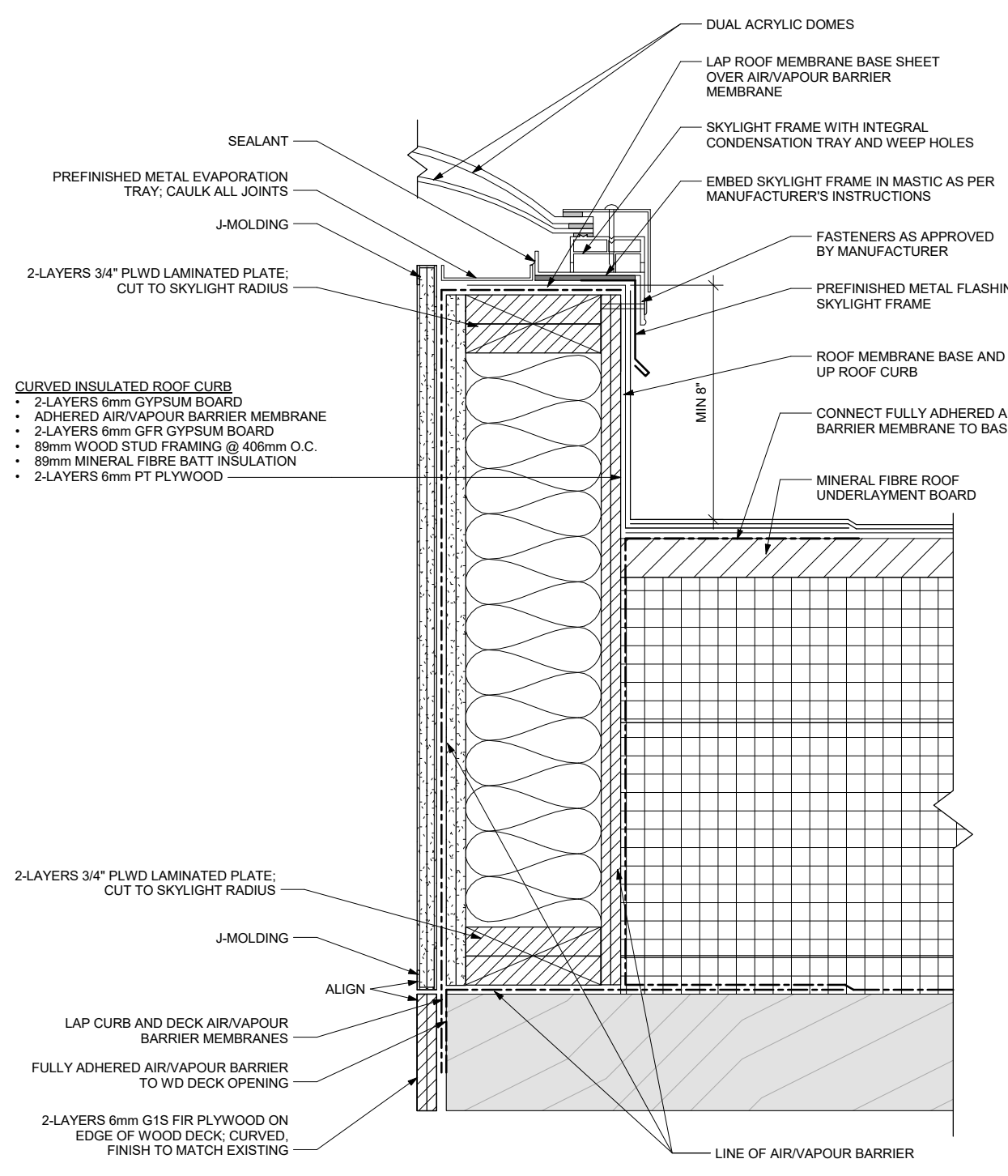
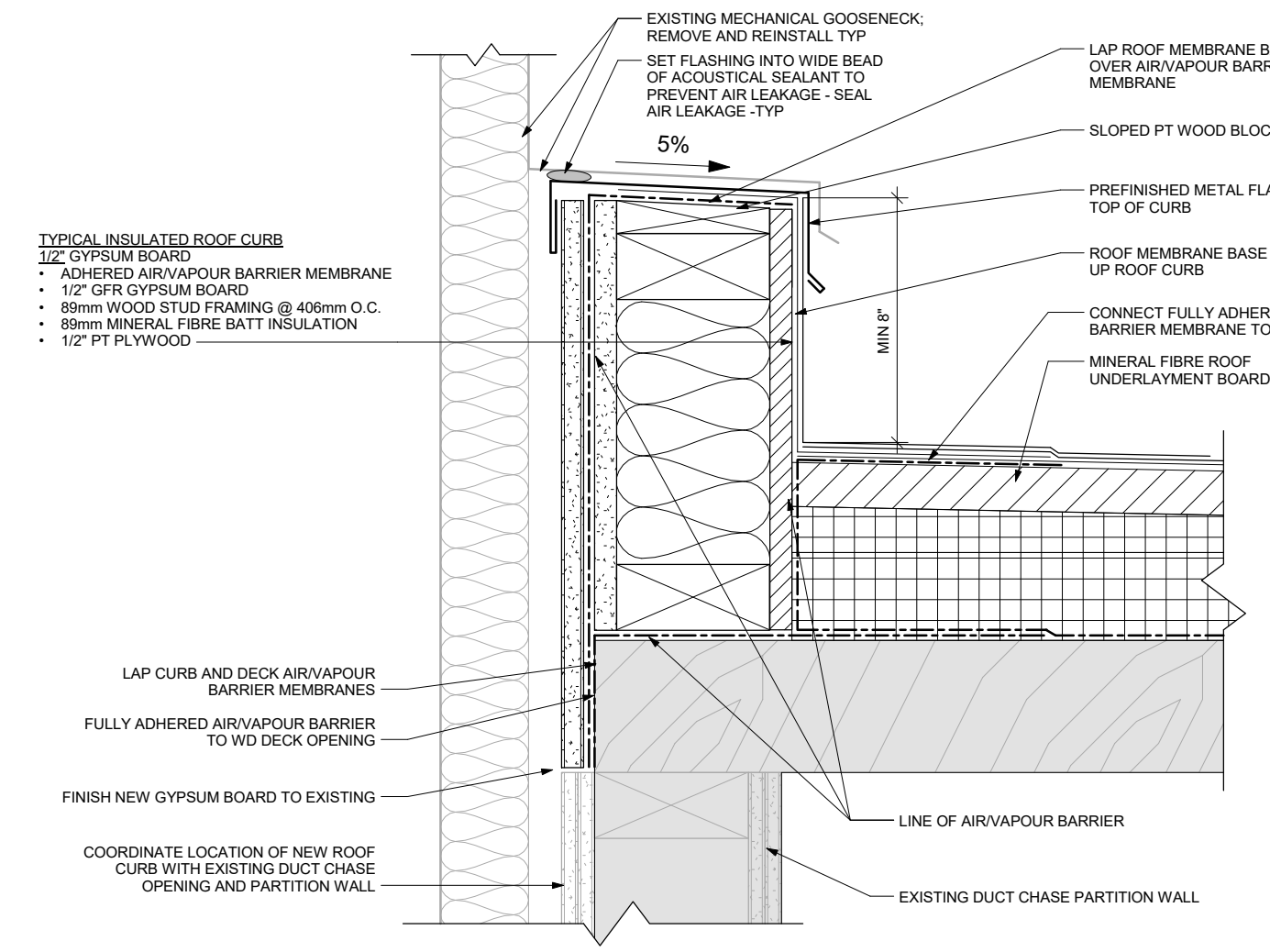


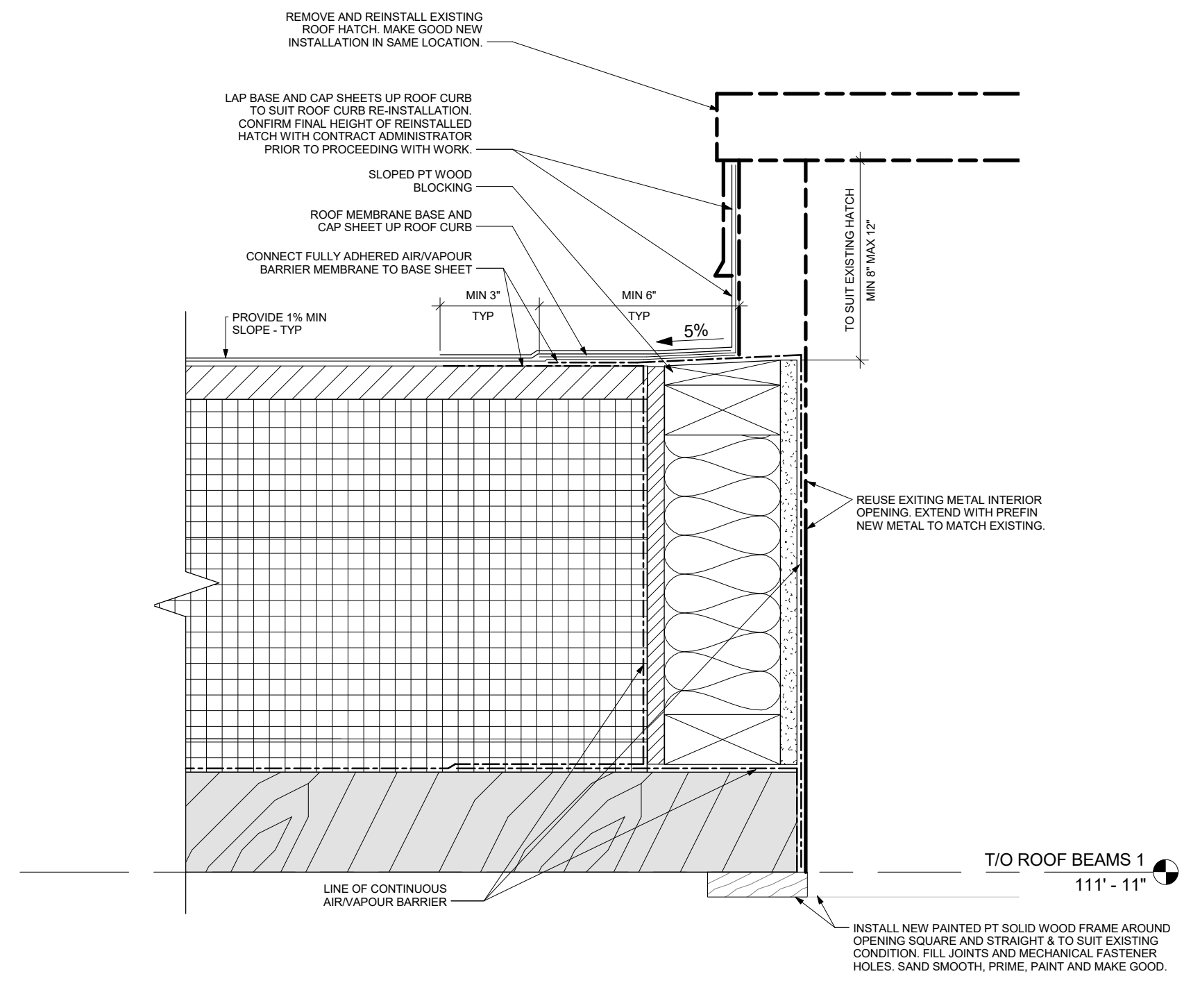
1 SECTION DETAIL - RECTANGULAR SKYLIGHT CURB
3" = 1'-0"



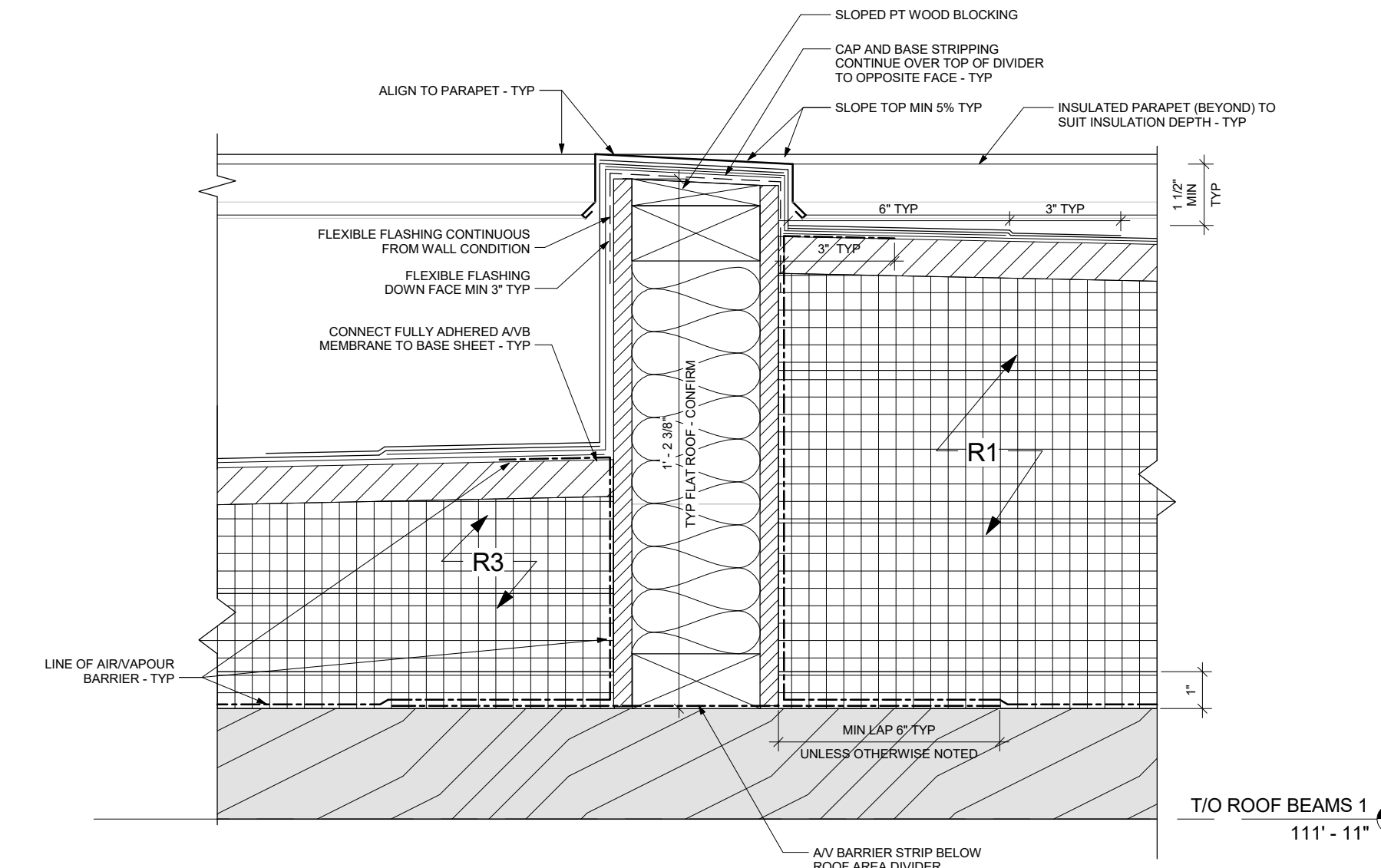
2 SECTION DETAIL - ROUND SKYLIGHT CURB
3" = 1'-0"



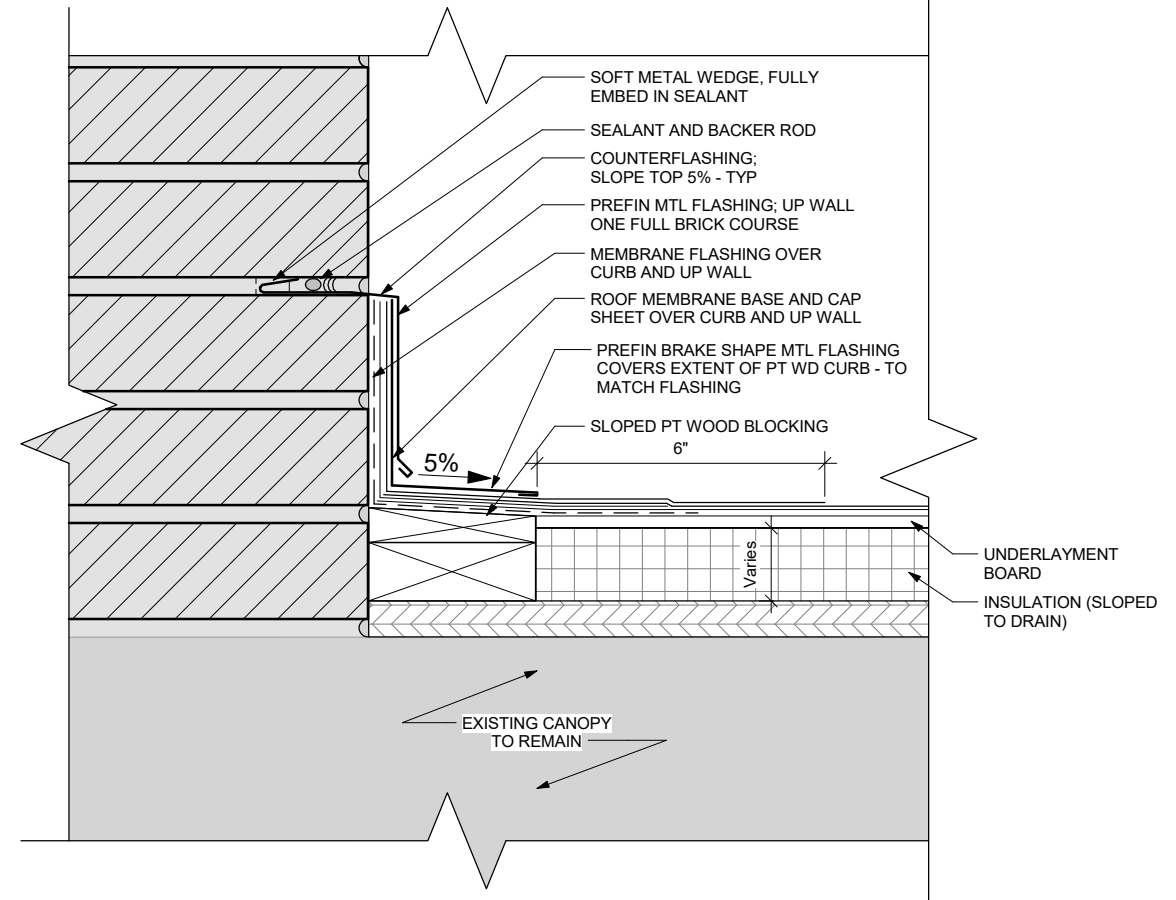
6 SECTION DETAIL - EQUIPMENT CURB AT REDUCED INSULATION AREA
3" = 1'-0"



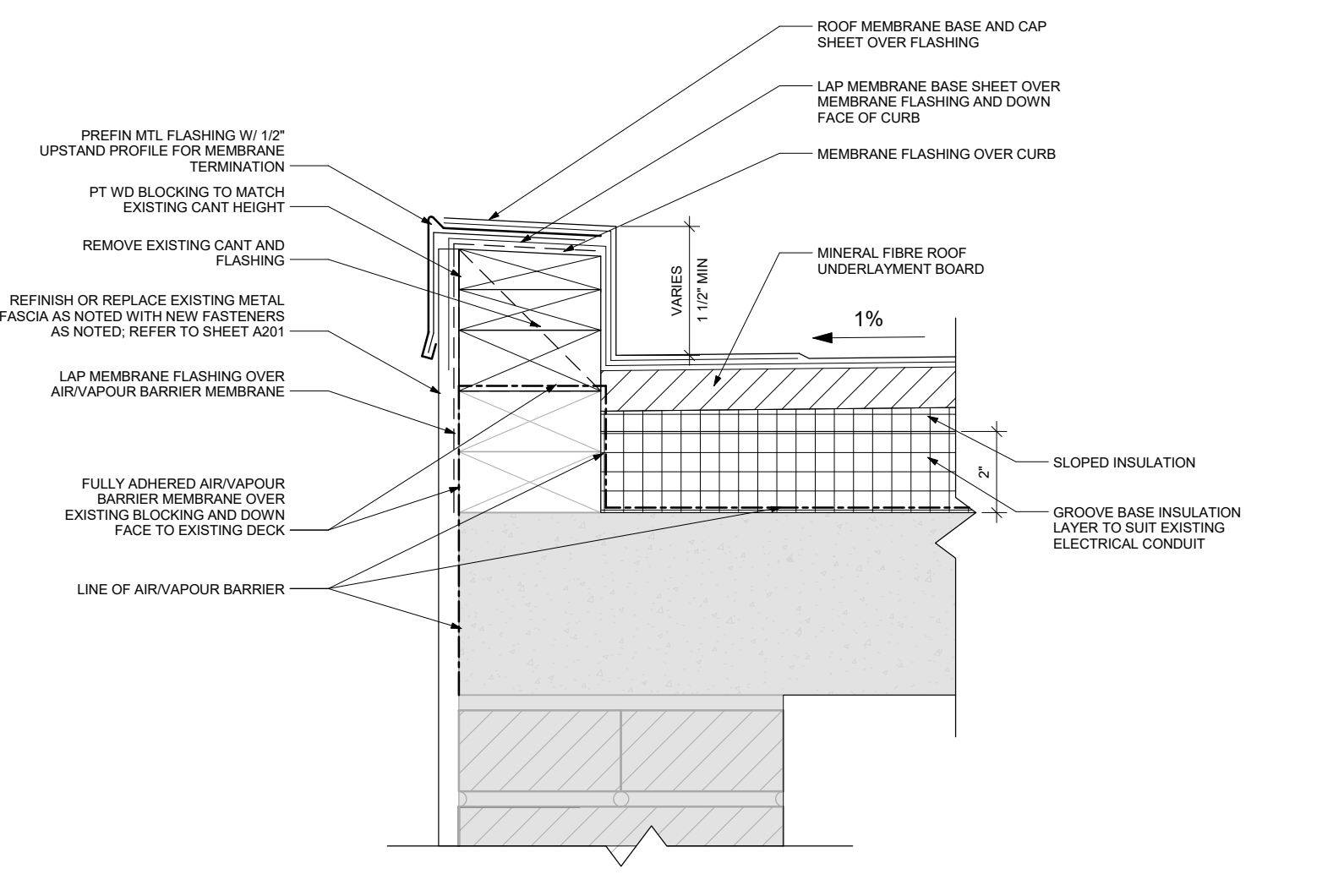
4 SECTION DETAIL - ROOF HATCH CURB
3" = 1'-0"



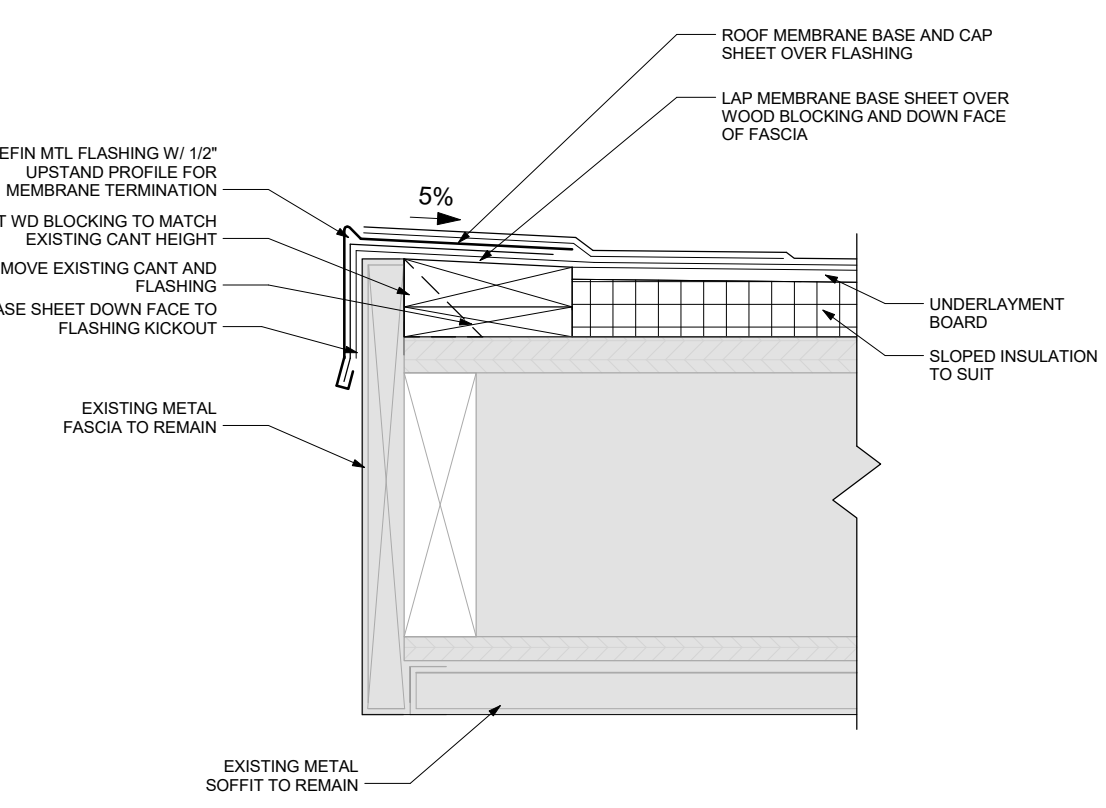
7 SECTION DETAIL - ROOF AREA DIVIDER
3" = 1'-0"



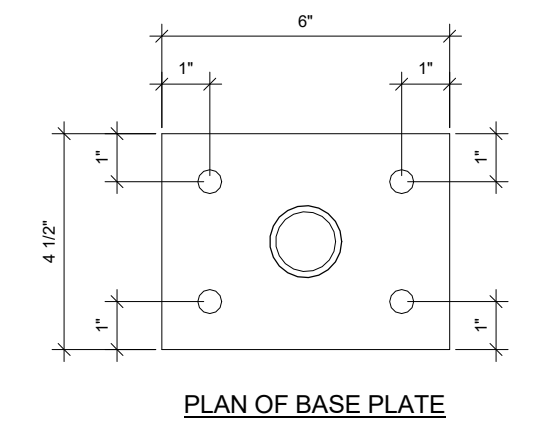
8 SECTION DETAIL - CANOPY ROOF TO WALL
3" = 1'-0"



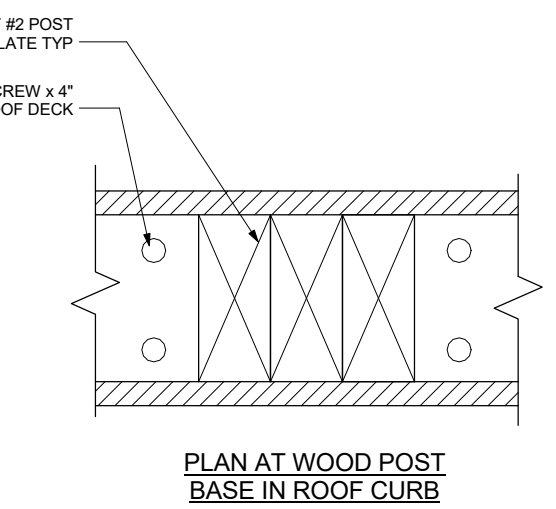
10 SECTION DETAIL - SOUTH ENTRANCE ROOF EDGE
3" = 1'-0"



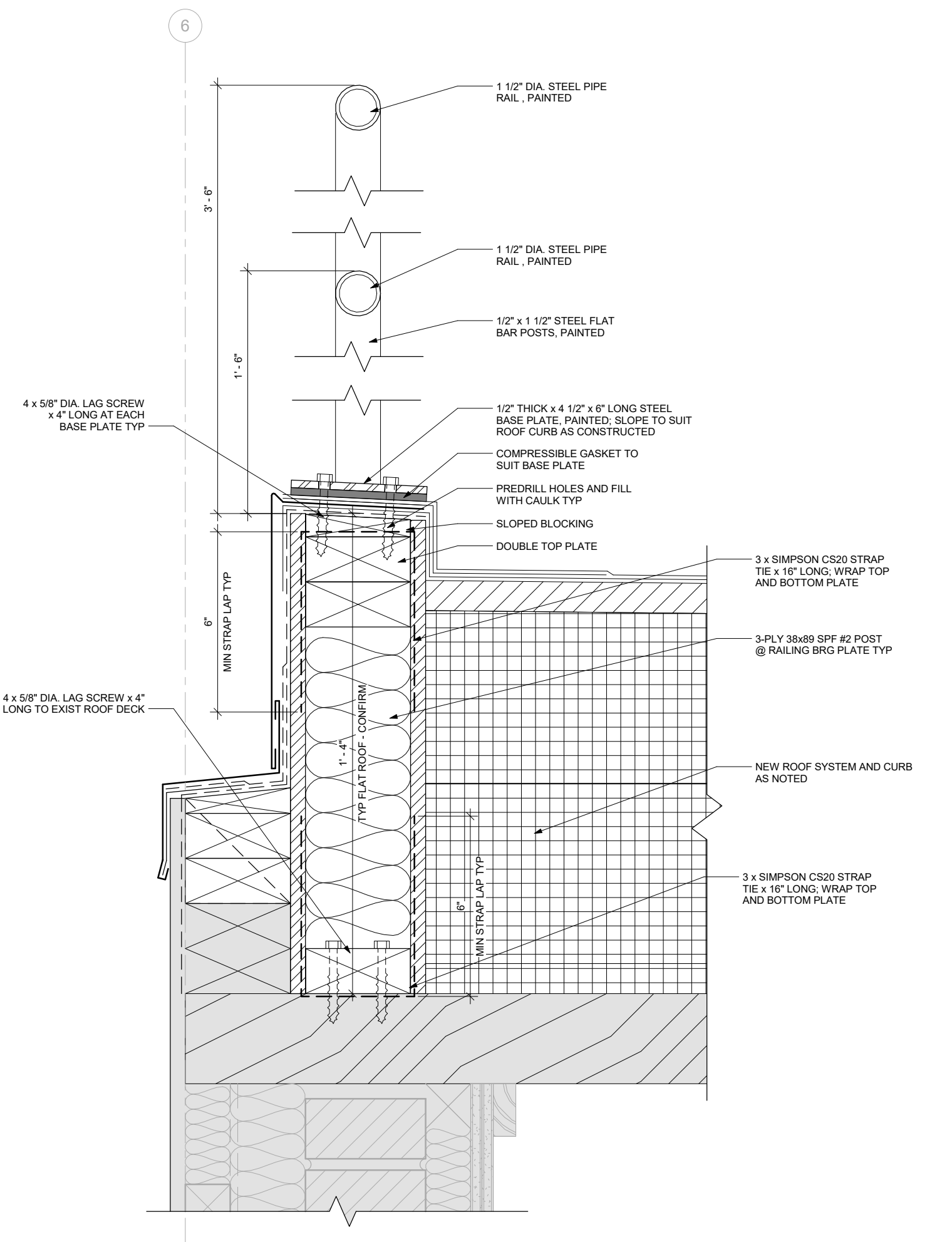
9 SECTION DETAIL - CANOPY ROOF EDGE
3" = 1'-0"



PLAN OF BASE PLATE



PLAN AT WOOD POST BASE IN ROOF CURB



5 SECTION DETAIL - TYPICAL ROOF GUARD
3" = 1'-0"