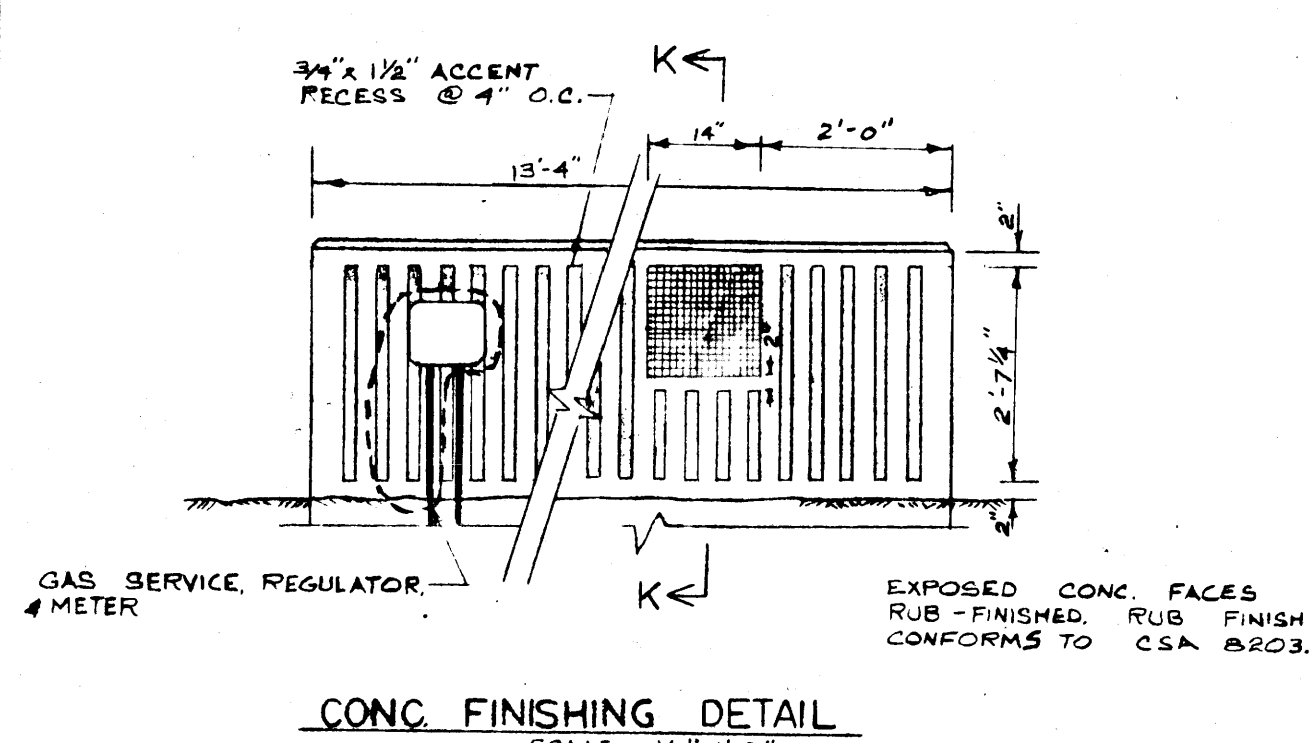
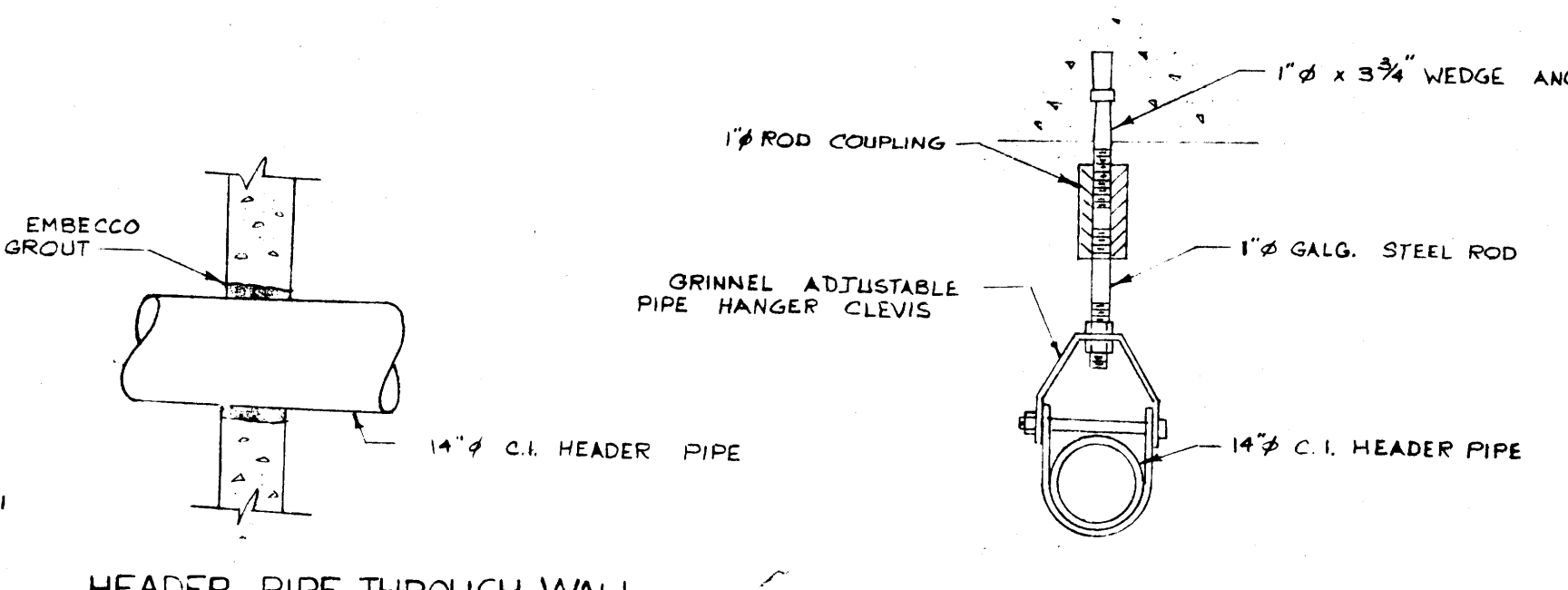


FILE # LD10192

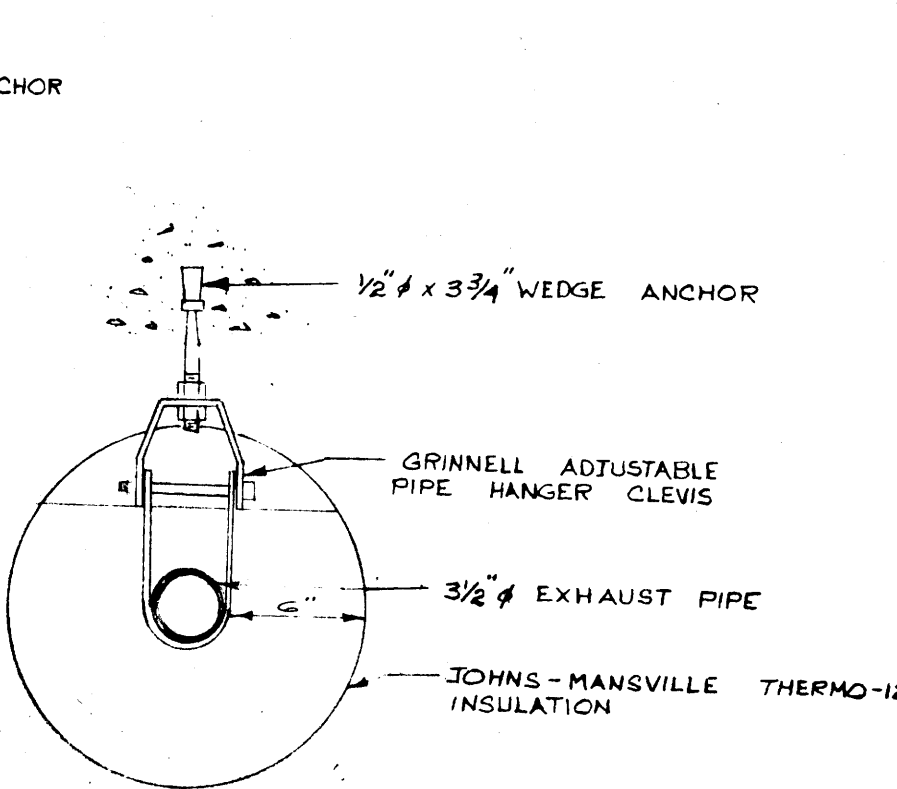
DETAILS



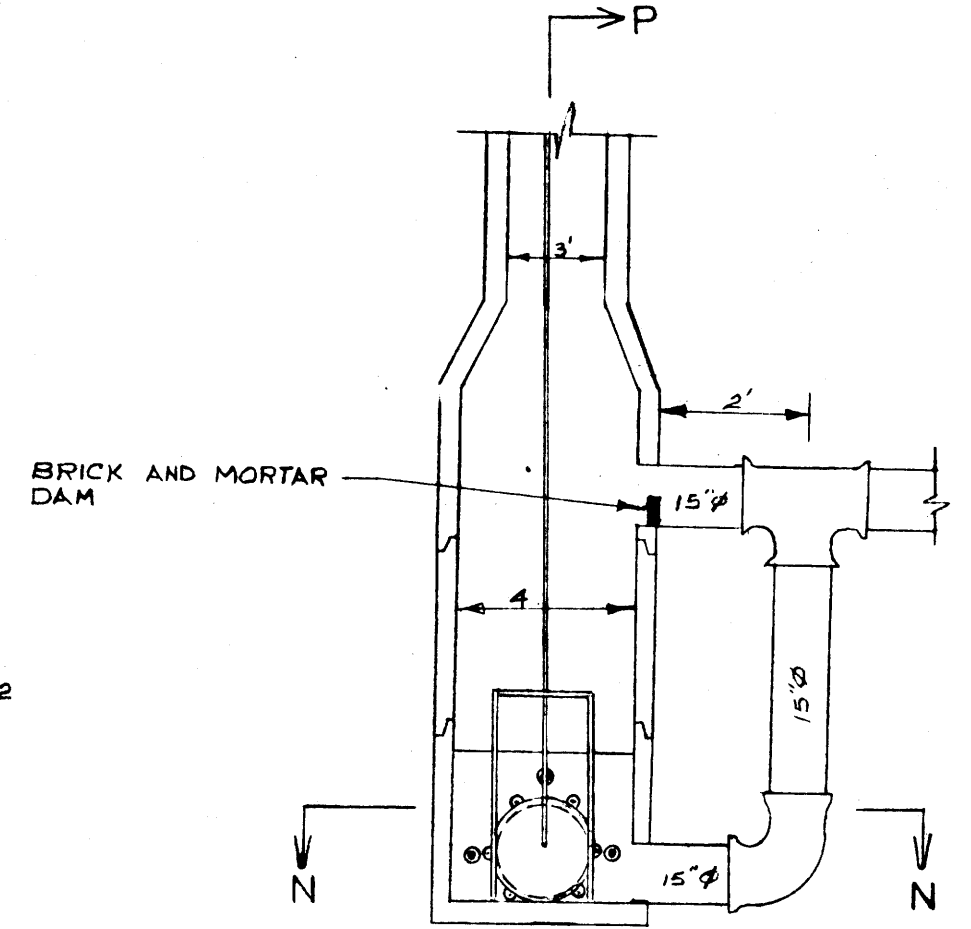
CONC FINISHING DETAIL  
SCALE: 1/2" = 1'-0"



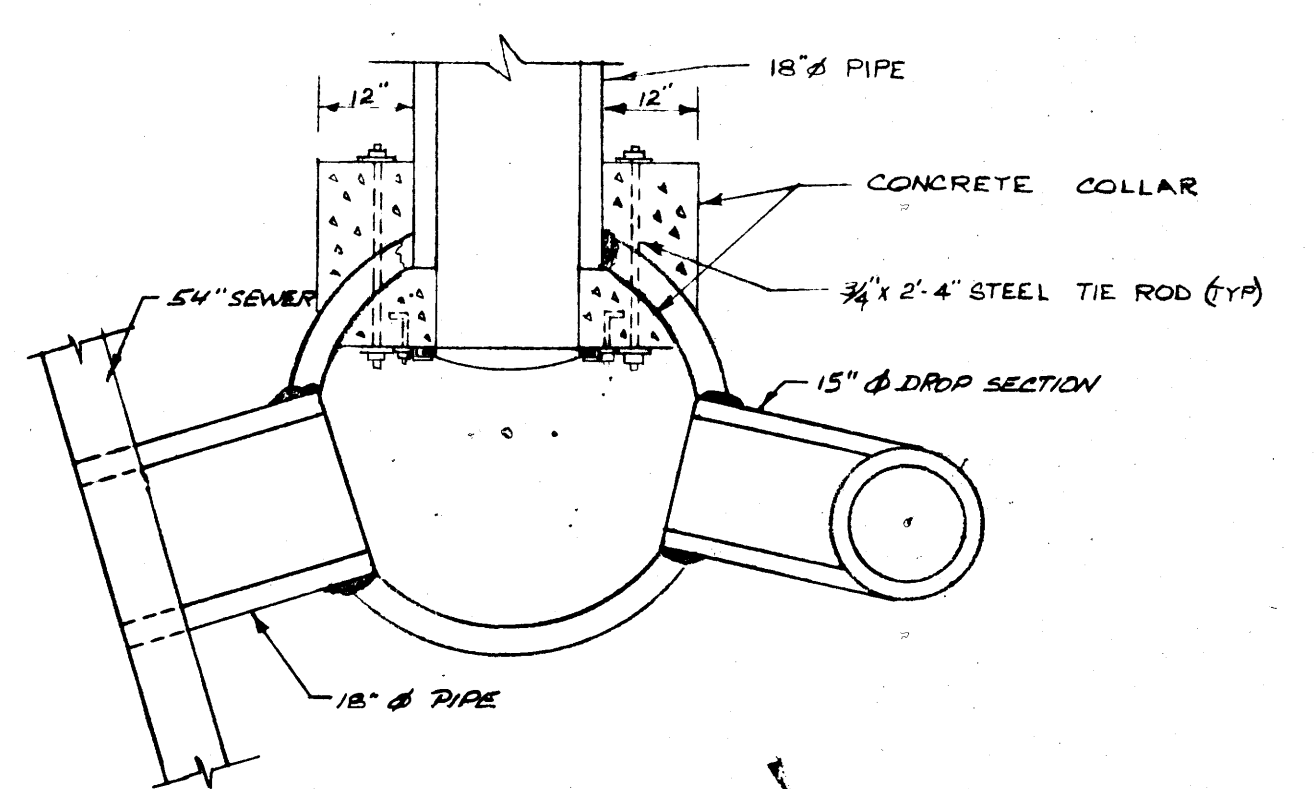
HEADER PIPE THROUGH WALL  
N.T.S.



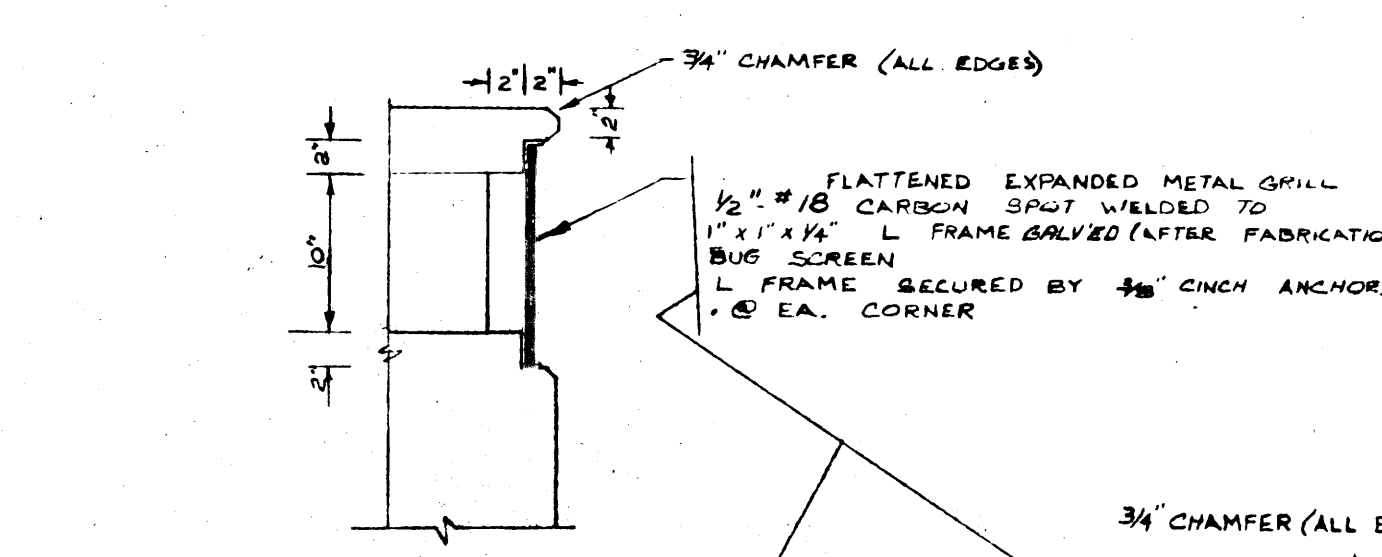
DETAIL 1  
N.T.S.



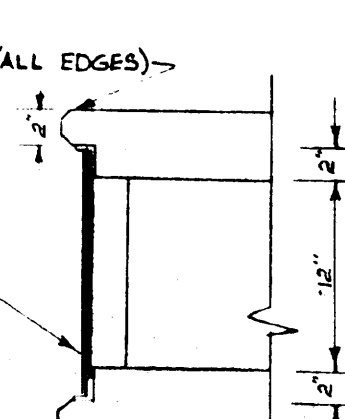
DROP MANHOLE  
MANHOLE #3  
N.T.S.



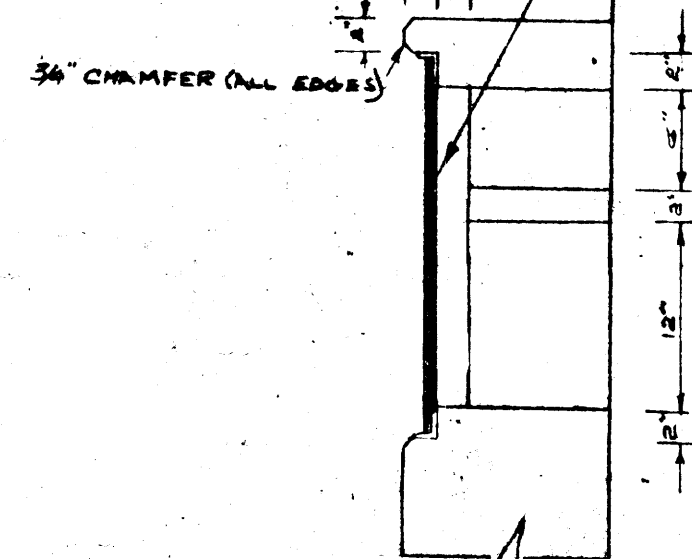
SECTION N-N  
MANHOLE #3  
N.T.S.



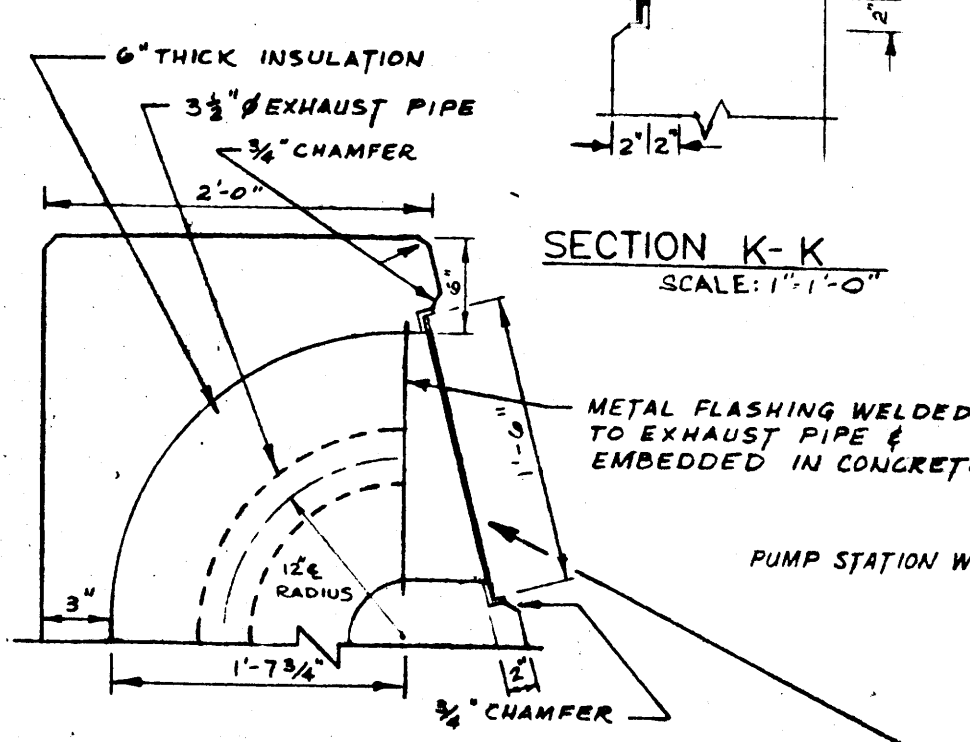
SECTION J-J  
SCALE: 1" = 1'-0"



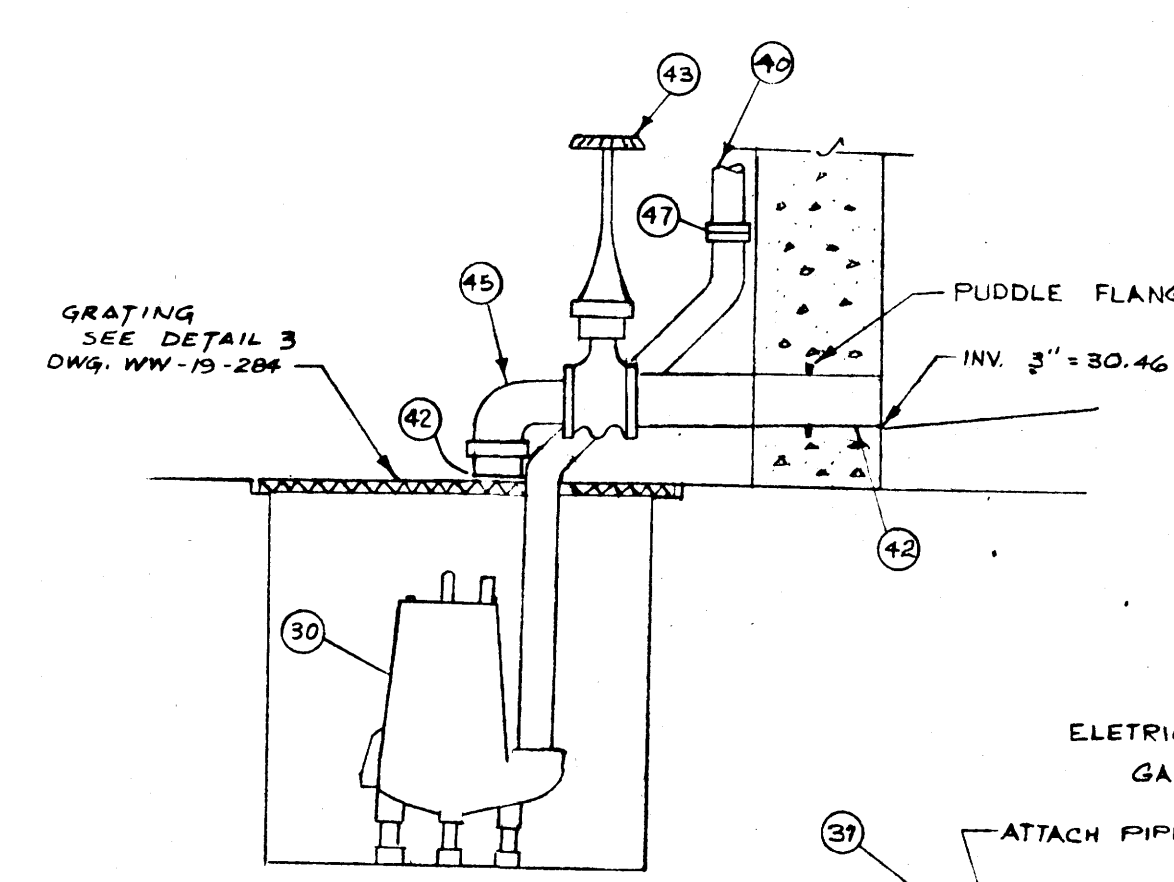
SECTION K-K  
SCALE: 1" = 1'-0"



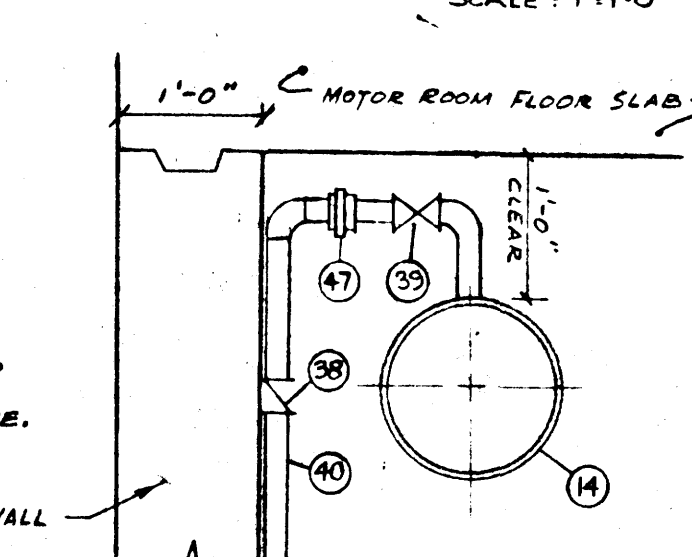
SECTION L-L  
SCALE: 1" = 1'-0"



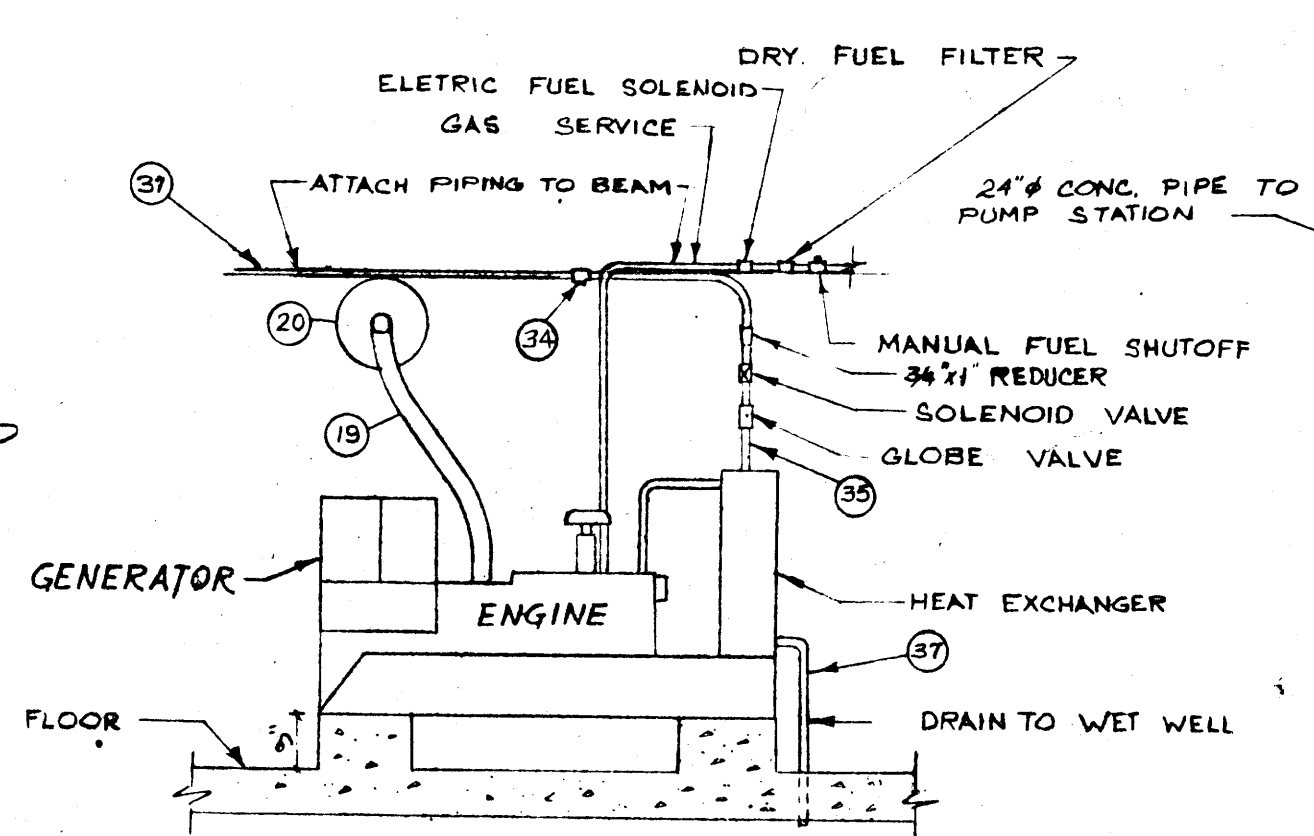
SECTION R-R  
SCALE: 1" = 1'-0"



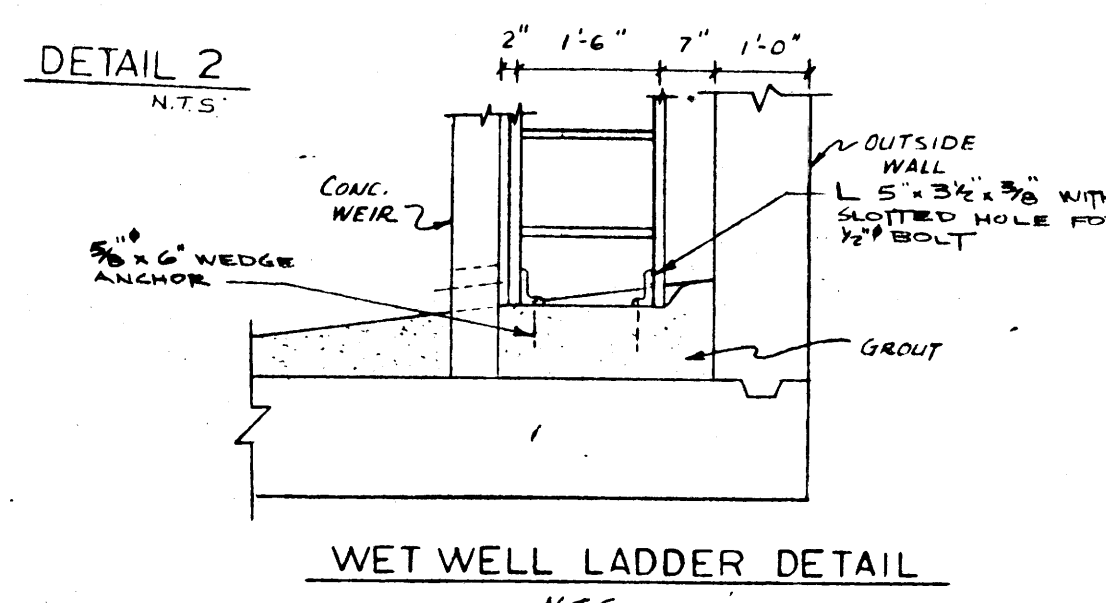
SUMP DETAIL  
SCALE: 1" = 1'-0"



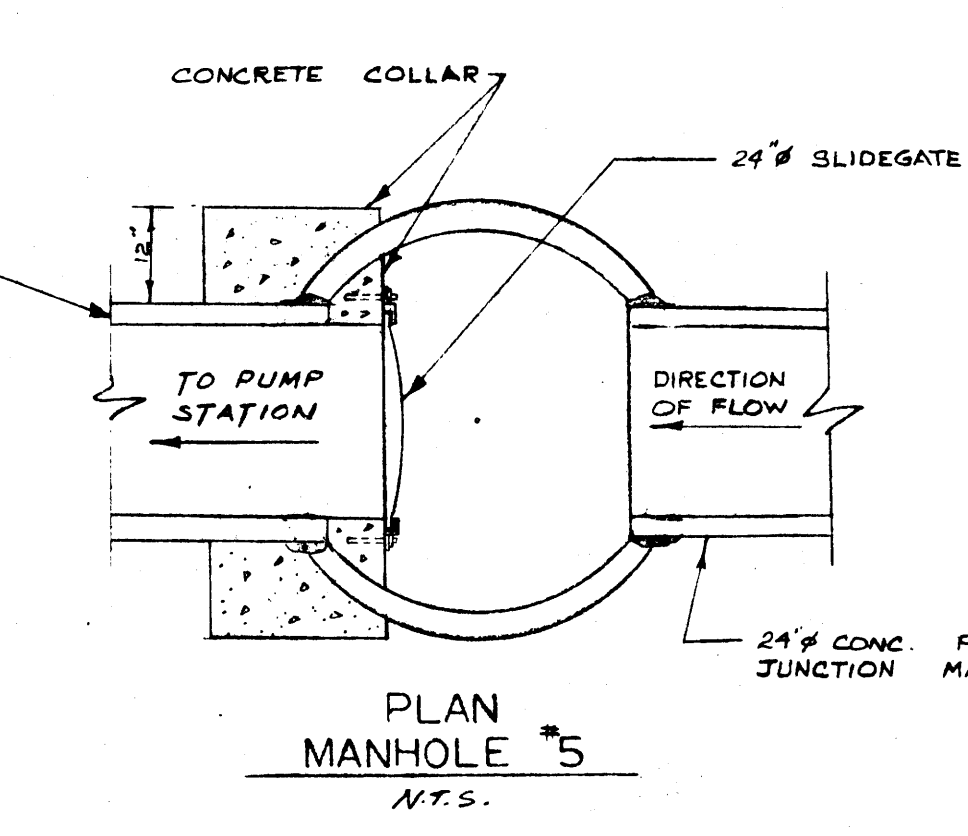
SUMP PUMP DISCHARGE DETAIL  
SCALE: 3/4" = 1'-0"



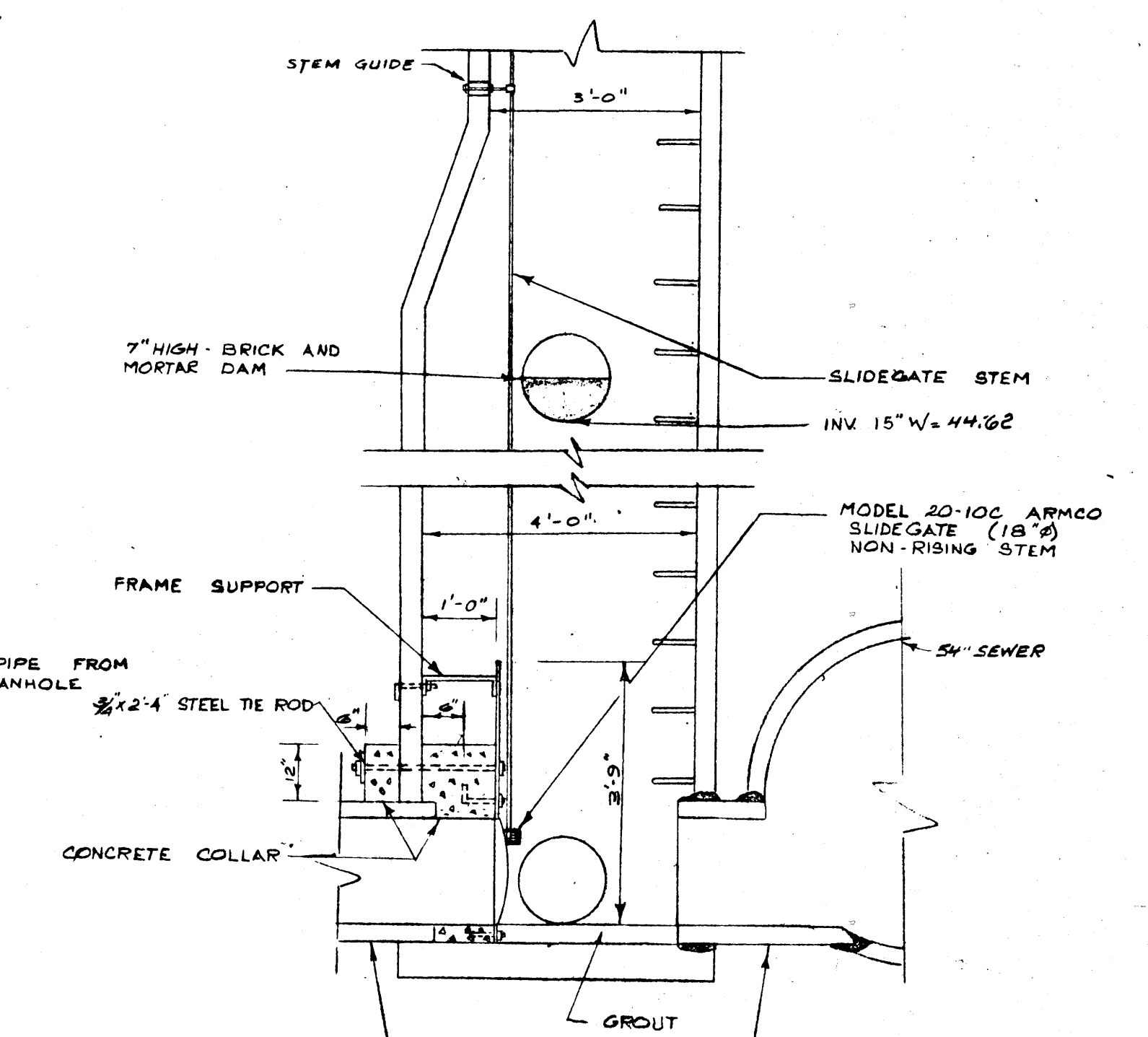
SECTION M-M  
SCALE: 3/8" = 1'-0"



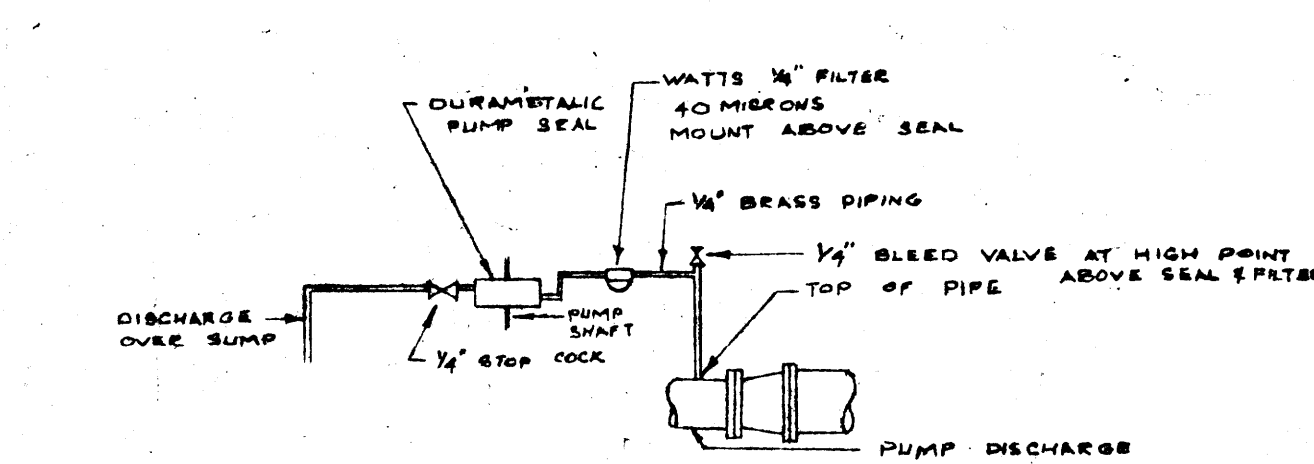
WET WELL LADDER DETAIL  
N.T.S.



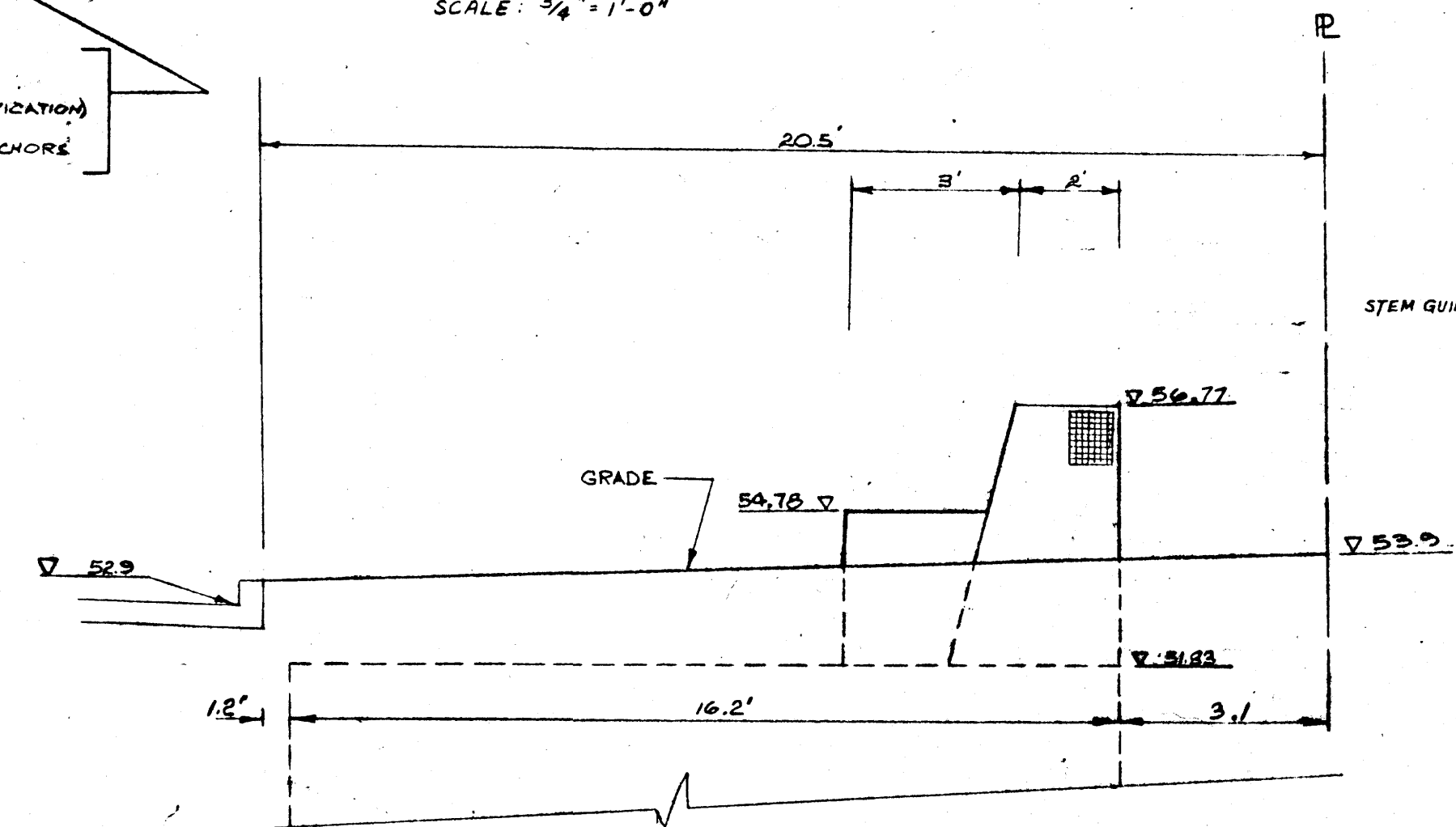
PLAN  
MANHOLE #5  
N.T.S.



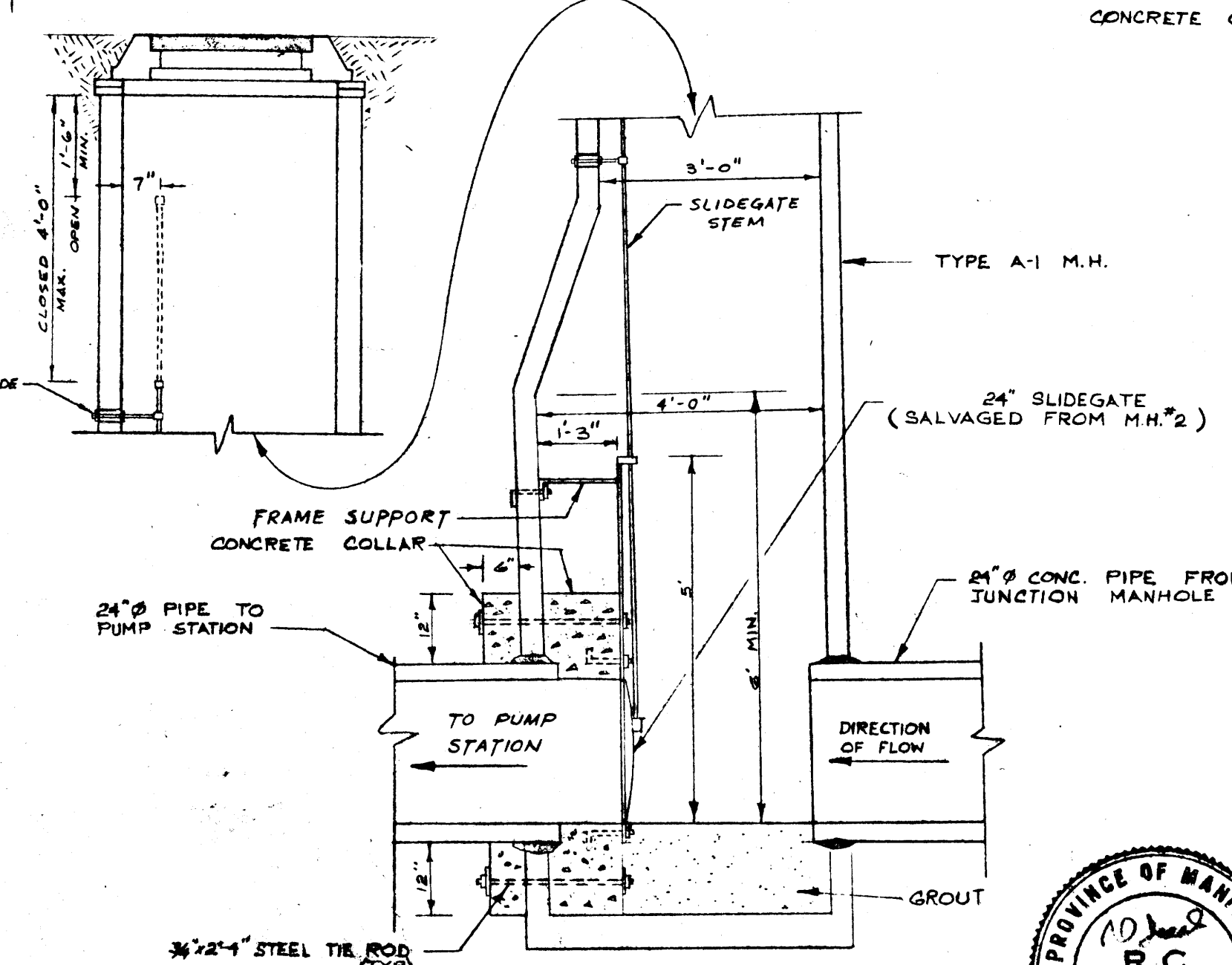
SECTION P-P  
MANHOLE #3  
N.T.S.



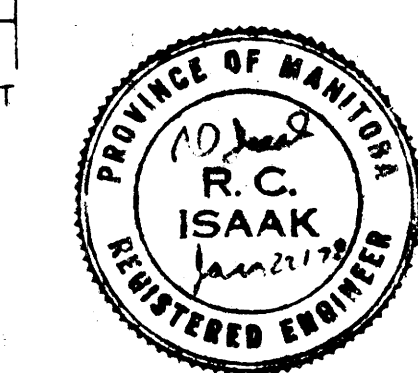
DETAIL 3  
N.T.S.



BOULEVARD SECTION  
N.T.S.



SECTION  
MANHOLE #5  
N.T.S.



REV. No.	DATE	DESCRIPTION	BY
4	DAR 24/80	REVISED TO AS-BUILT	TR-J
3	MAY 25/79	REVISED TO AS-BUILT	M.M.
2	APR. 3/78	ADDED GENERATOR EXHAUST PIPE DETAIL	M.M.
1	JAN. 31/78	DETAILS ADDED	M.M.

REVISIONS		
THE CITY OF WINNIPEG WATERWORKS, WASTE AND DISPOSAL DIVISION		
LARCHDALE PUMP STATION		
SECTIONS & DETAILS		
TEMPLETON ENGINEERING COMPANY PROFESSIONAL ENGINEERS		
WINNIPEG	MANITOBA	
CHECKED R J	DRAWN MN	SCALE AS SHOWN
APPROVED R C I	DATE JAN 20, 1978	DWG. No. WW-17-284