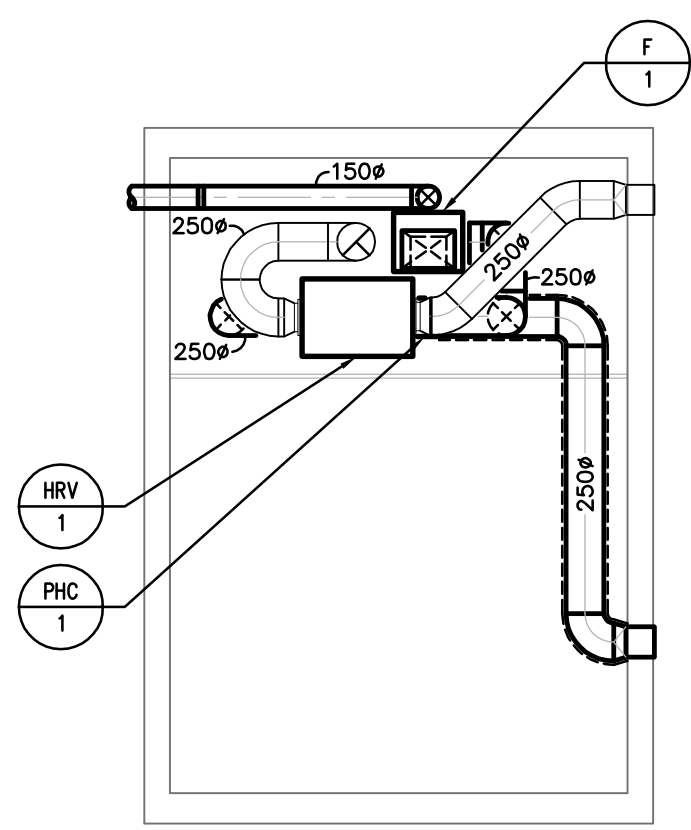
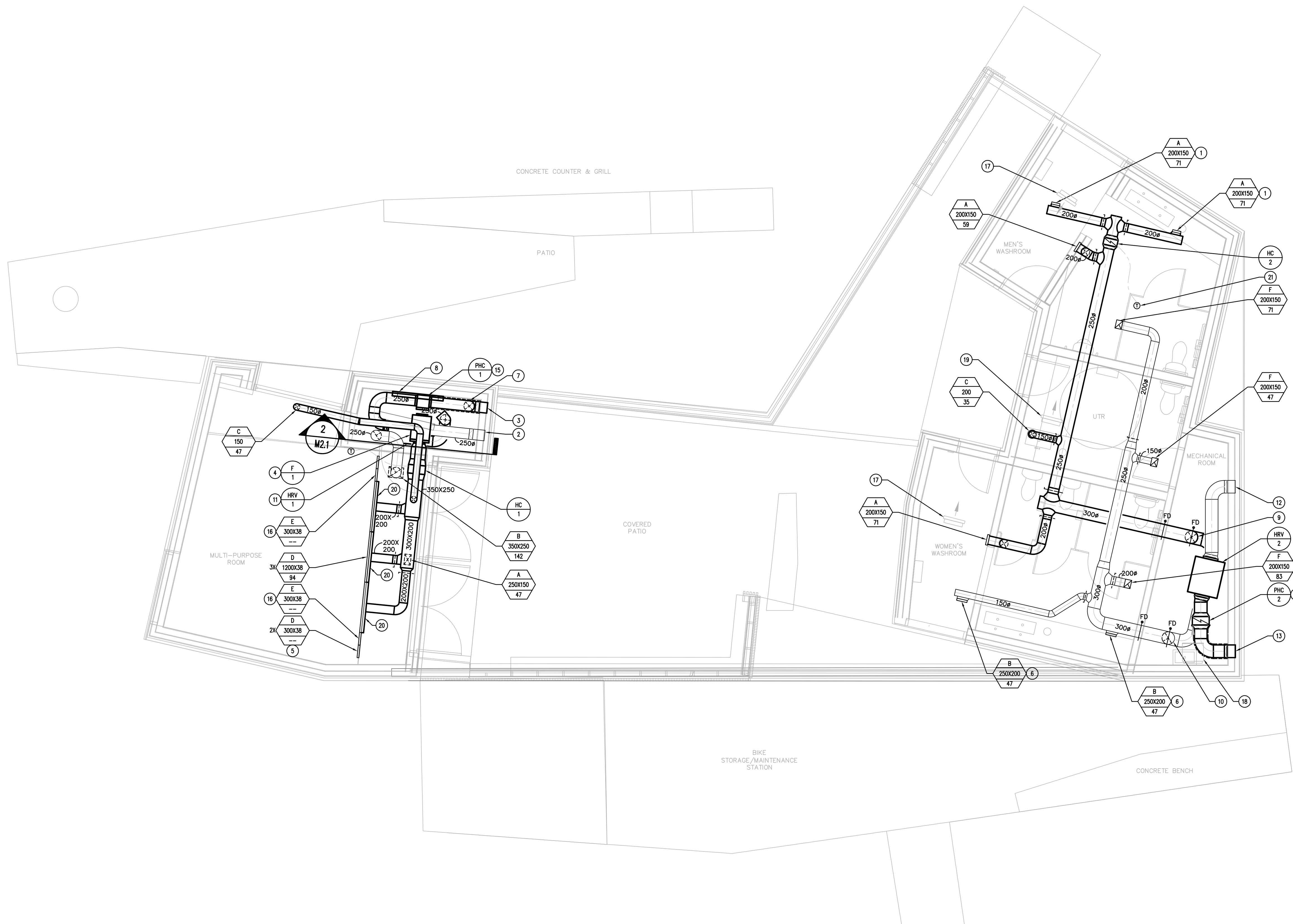


GENERAL NOTES:

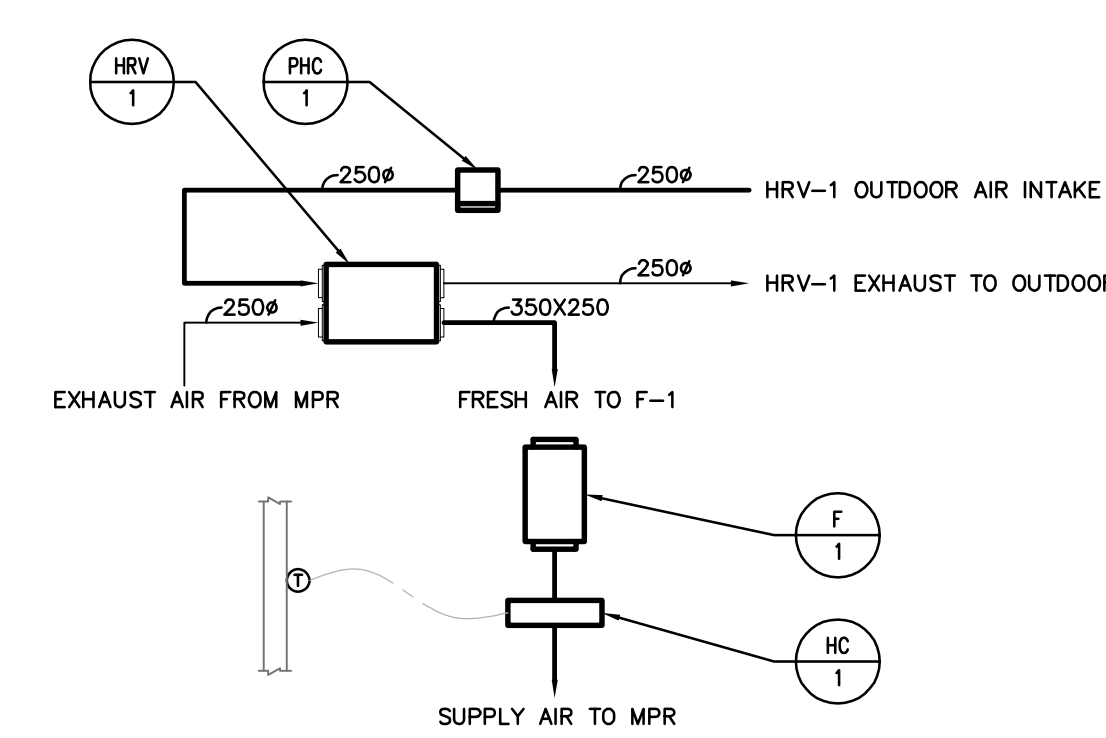
- THIS DRAWING IS DIAGRAMMATIC ONLY, DO NOT SCALE.
- COORDINATE FINAL LOCATION OF SUPPLY AND EXHAUST DIFFUSERS ON SITE WITH FINAL LIGHTING LAYOUT, ARCHITECTURAL CEILING, STRUCTURAL, ELECTRICAL, AND MECHANICAL SYSTEMS.
- FLARE DUCTWORK TO ACCOMMODATE CONNECTION AND/OR OPENING SIZE AT MECHANICAL EQUIPMENT AS REQUIRED.
- ENSURE 3000MM SPACE BETWEEN HRV-1 INTAKE AND EXHAUST PENETRATIONS.
- SUPPLY, RETURN AND NON-FUNCTIONAL GRILLES IN MULTI-PURPOSE ROOM BULKHEAD TO BE INSTALLED TO APPEAR AS ONE SEAMLESS GRILLE.

DRAWING NOTES:

- SUPPLY IN ATTIC SPACE.
- 250X200 EXHAUST DUCT TO TERMINATE AT HIGH LEVEL FLUSH WITH WALL SHEATHING C/W PROTECTIVE SCREENING. COORDINATE WITH ARCHITECTURAL.
- 250X200 SUPPLY DUCT TO TERMINATE 300MM ABOVE GRADE FLUSH WITH WALL SHEATHING C/W PROTECTIVE SCREENING. COORDINATE WITH ARCHITECTURAL.
- SUPPLY FAN (F-1) INLET TO BE OPEN ENDED WITHIN MECHANICAL ROOM C/W PROTECTIVE SCREENING.
- RETURN AIR GRILLES ATTACHED TO BULKHEAD. BULKHEAD IS OPEN TO MECHANICAL ROOM FOR AIR TO GET BACK TO SUPPLY FAN (F-1). REFER TO ARCHITECTURAL.
- EXHAUST IN ATTIC SPACE.
- 250# OUTDOOR AIR INTAKE DUCT FOR HRV-1 TO DROP DOWN TO LOW LEVEL.
- 1 KW ELECTRIC BASEBOARD HEATER. REFER TO ELECTRICAL.
- 300# SUPPLY DUCT FROM HRV-2 UP TO CEILING SPACE C/W FIRE DAMPER.
- 300# EXHAUST DUCT FROM HRV-2 UP TO CEILING SPACE C/W FIRE DAMPER.
- HRV-1 LOCATED UNDERNEATH DUCTWORK AND F-1.
- 300X250 EXHAUST DUCT TO TERMINATE AT HIGH LEVEL FLUSH WITH WALL SHEATHING C/W PROTECTIVE SCREENING. COORDINATE WITH ARCHITECTURAL.
- 300X250 SUPPLY DUCT TO TERMINATE AT HIGH LEVEL FLUSH WITH WALL SHEATHING C/W PROTECTIVE SCREENING. COORDINATE WITH ARCHITECTURAL.
- 300# HRV-2 OUTDOOR AIR INTAKE DUCT TO BE INSULATED FROM WALL PENETRATION TO HEATING COIL PHC-2 INLET. REFER TO MECHANICAL SPECIFICATION.
- 250# HRV-1 OUTDOOR AIR INTAKE DUCT TO BE INSULATED FROM WALL PENETRATION TO HEATING COIL PHC-1 INLET. REFER TO MECHANICAL SPECIFICATION.
- GRILLE IS NON-FUNCTIONAL AND IS INTENDED TO MAINTAIN THE APPEARANCE OF ONE CONTINUOUS GRILLE RUNNING THE LENGTH OF THE BULKHEAD.
- 3KW ELECTRIC HEATER. REFER TO ELECTRICAL.
- 3KW ELECTRIC HEATER. REFER TO ELECTRICAL.
- 2KW ELECTRIC HEATER. REFER TO ELECTRICAL.
- BUILD GALVANIZED PLENUMS BEHIND GRILLES MINIMUM 150MMX38MMXGRILLE LENGTH.
- 24 VOLT DIGITAL THERMOSTAT MOUNTED IN ATTIC.



2 MULTI-PURPOSE ROOM MECHANICAL CLOSET DETAIL
 SCALE: 1:50



3 MULTI-PURPOSE ROOM HVAC SCHEMATIC
 SCALE: 1:50

GRILLE, DIFFUSER & LOUVER SCHEDULE

TYPE	SERVICE	MAKE	MODEL	BORDER	CORE	BLADE	FRAME	FASTEN	FINISH	REMARKS
A	SUPPLY AIR	PRICE	5200	F	---	L	---	A	B12	REFER TO MECHANICAL DRAWINGS FOR SIZES AND LOCATIONS. COLORS AND FINISHES BY CONTRACT ADMINISTRATOR.
B	EXHAUST AIR	PRICE	5300	F	---	L	---	A	B12	REFER TO MECHANICAL DRAWINGS FOR SIZES AND LOCATIONS. COLORS AND FINISHES BY CONTRACT ADMINISTRATOR.
C	SUPPLY AIR	PRICE	RCD	---	---	---	---	---	B12	REFER TO MECHANICAL DRAWINGS FOR SIZES AND LOCATIONS. COLORS AND FINISHES BY CONTRACT ADMINISTRATOR.
D	SUPPLY/RETURN	PRICE	LBP	---	15A	---	---	TYPE C	B12	C/W HEAVY DUTY NARROW FACE BORDER AND TYPE C FASTENING FOR FLUSH RECESSED MOUNTING. REFER TO MECHANICAL DRAWINGS FOR SIZES AND LOCATIONS. COLORS AND FINISHES BY CONTRACT ADMINISTRATOR.
E		PRICE	LBP	---	15A	---	---	TYPE C	B12	C/W HEAVY DUTY NARROW FACE BORDER AND TYPE C FASTENING FOR FLUSH RECESSED MOUNTING. GRILLE IS NON-FUNCTIONAL AND FOR APPEARANCE ONLY. GRILLE TO HAVE SHEET METAL INSTALLED OVER INLET. REFER TO MECHANICAL DRAWINGS FOR SIZES AND LOCATIONS. COLORS AND FINISHES BY CONTRACT ADMINISTRATOR.
F	EXHAUST AIR	PRICE	80	F	---	---	---	A	B12	REFER TO MECHANICAL DRAWINGS FOR SIZES AND LOCATIONS. COLORS AND FINISHES BY CONTRACT ADMINISTRATOR.

1 MAIN FLOOR - HVAC RENOVATION PLAN
 SCALE: 1:50