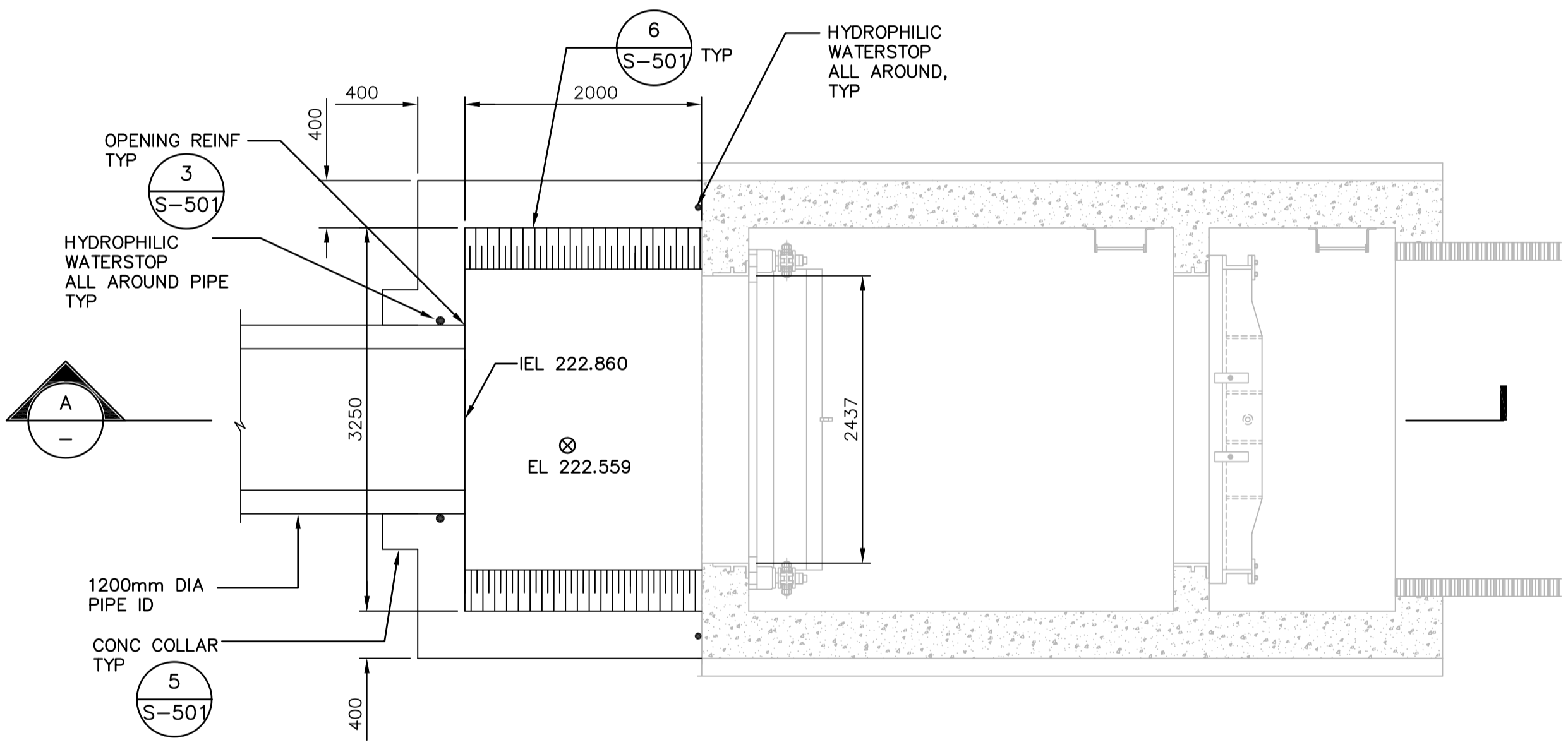
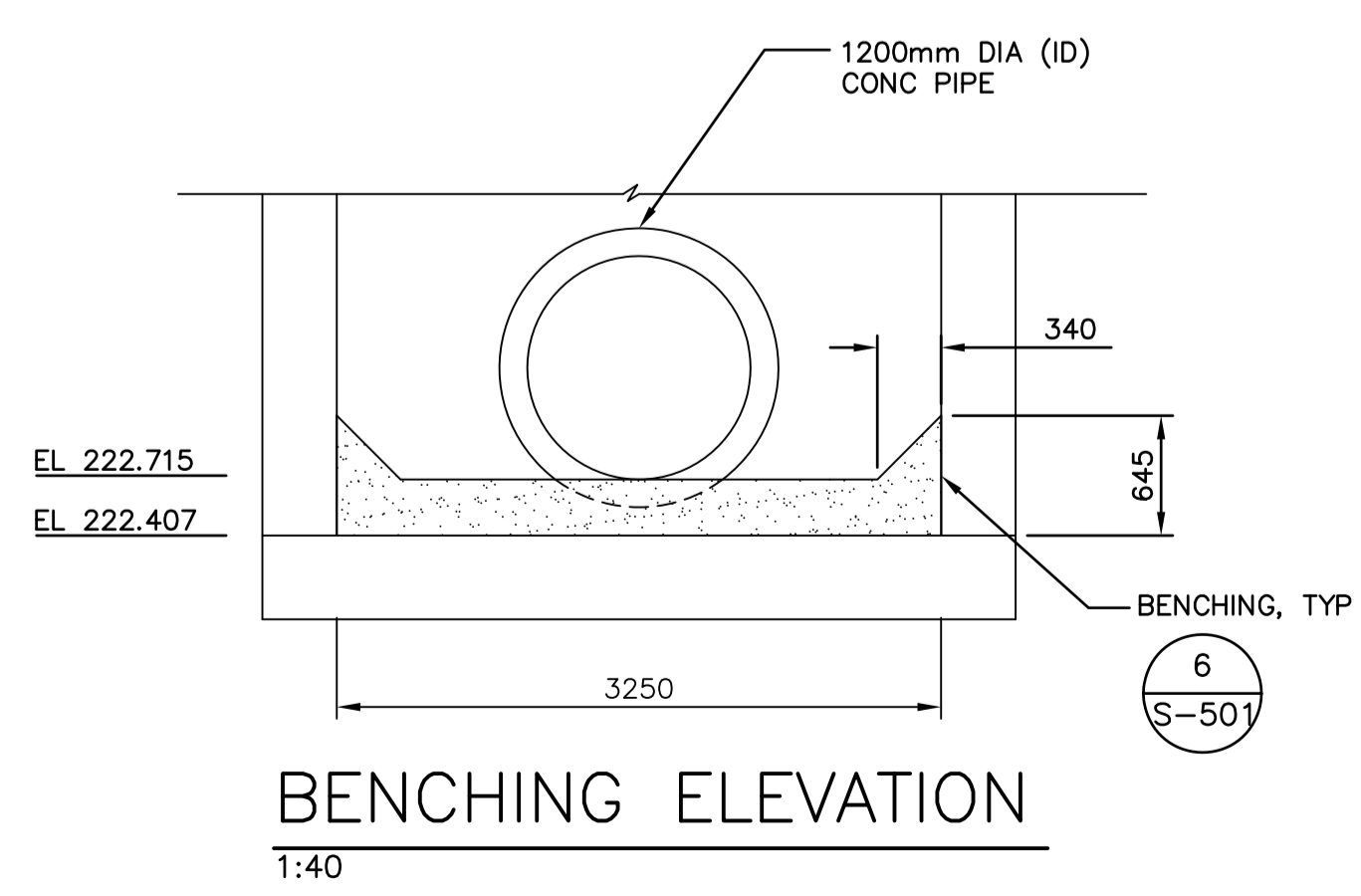


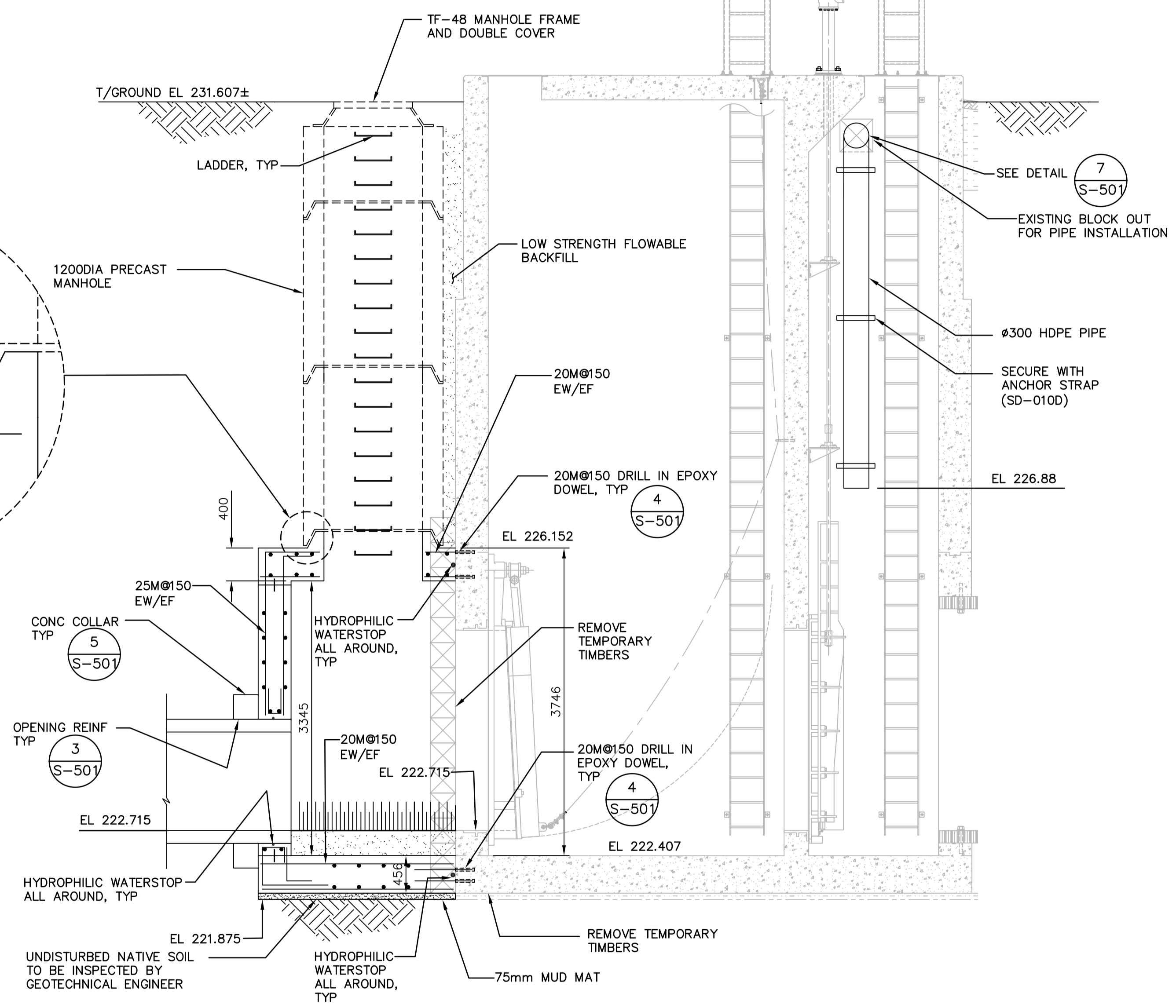
PLAN - EL 229.180  
1:40



PLAN - EL 222.712  
1:40



BENCHING ELEVATION  
1:40



SECTION A  
1:40

NOTES:

- DESIGN LIVE LOAD AT GRADE ELEVATION = 12KPa.
- DESIGN GROUND WATER ELEVATION = 233.15m
- CONCRETE  $F_c=32MPa$   
REINFORCING  $F_y=400MPa$
- FOR UPLIFT CALCULATIONS SOIL AT TOP OF CHAMBER HAS BEEN TAKEN INTO ACCOUNT.  
DO NOT REMOVE SOIL COVER WHEN GROUND WATER LEVEL IS HIGH.
- MAINTAIN BACKFILL AROUND EXISTING STRUCTURES.

**APEGM**  
Certificate of Authorization  
CH2M HILL Canada Ltd.  
No. 1441 Date: February 26, 2016

B.M. ELEV.			
CONSTRUCTION COMPLETION DATE: YYYY MM DD			
DESIGNED BY	EL	CHECKED BY	MD
DRAWN BY	DB	APPROVED BY	ES
SCALE: HORIZONTAL AS NOTED		RELEASED FOR CONSTRUCTION	
VERTICAL		DATE	
ISSUED FOR TENDER	02/2016		
NO.	REVISIONS	DATE	BY

**ch2m**

ENGINEER'S SEAL  
PROVINCE OF MANITOBA  
S.L.E.  
Member  
37003  
REGISTERED PROFESSIONAL ENGINEER

CONSULTANT DRAWING NUMBER  
S-101

THE CITY OF WINNIPEG  
WATER AND WASTE DEPARTMENT  
ENGINEERING DIVISION

Winnipeg

COCKBURN AND CALROSSIE COMBINED  
SEWER RELIEF WORKS  
GATE CHAMBER CONNECTION

SHEET 24 OF 25  
CITY DRAWING NUMBER  
LD-7822