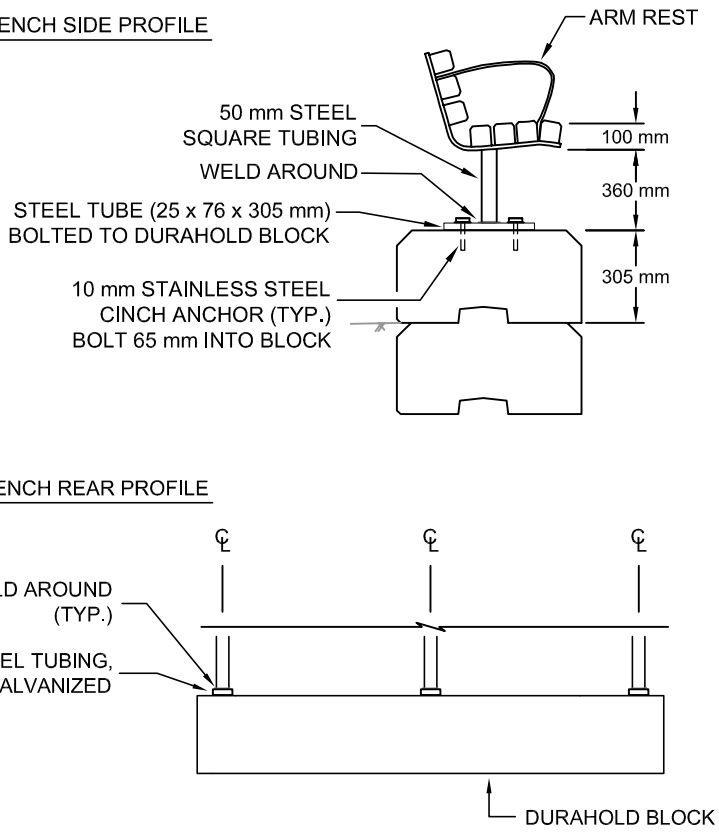
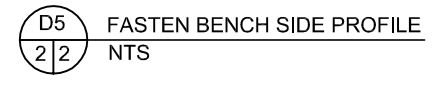


- NAVARRO PAVE STONE BLOCKS**
- A** 458 mm x 305 mm x 80 mm (L x W x H)
  - B** 305 mm x 305 mm x 80 mm (L x W x H)
  - C** 305 mm x 153 mm x 80 mm (L x W x H)



- LEGEND**
- SECTION/DETAIL No.
  - SECTION / DETAIL PAGE LOCATION
  - SECTION / DETAIL PAGE REFERENCE

- 223.91 SPOT ELEVATION
- TREE OR BUSH
- SHORELINE
- HYDRO POLE
- PILLAR
- TREE LINE (APPROX.)
- DURAHOLD (LxWxH) (1.83m x 0.610m x 0.305m)
- DURAHOLD II (LxWxH) (1.83m x 0.355m x 0.305m)
- 225.50 PROPOSED GRADE
- CABLE CONCRETE IN PLAN

- NOTES**
- ALL ELEVATIONS AND DIMENSIONS ARE IN METERS UNLESS OTHERWISE NOTED.
  - FPL = FLOOD PROTECTION LEVEL (231.35 m).
  - CONTOUR INTERVAL = 0.5 m.
  - NOT ALL TREES ARE SHOWN.
  - CONCRETE IS ABBREVIATED CONC.
  - CINCH ANCHOR BY POWERS FASTENERS (CAT. No. 6226) OR EQUIVALENT.

No.	DATE	ISSUE /REVISION
0	Aug 2016	Tender/ Construction

**ENG-TECH CONSULTING LIMITED**  
6 - 854 Marion Street  
Winnipeg, MB R2J 0K4  
Phone: (204) 233-1694  
Fax: (204) 235-1579

**APEGM**  
Certificate of Authorization  
ENG-TECH Consulting Limited  
No.2475 Expiry: April 30, 2017

CLIENT: **CITY OF WINNIPEG**

PROJECT: **CRESCENT DRIVE, CANOE LAUNCH SITE, WINNIPEG, MANITOBA**

DWG DESCRIPTION: **PROPOSED PLAN AND SECTION**

SCALE: **1:400**

DRAWN BY: **ERM** DATE: **AUGUST 2016**

FILE No.: **15-217-01** CLIENT DWG/FIG. No.: **No.:**