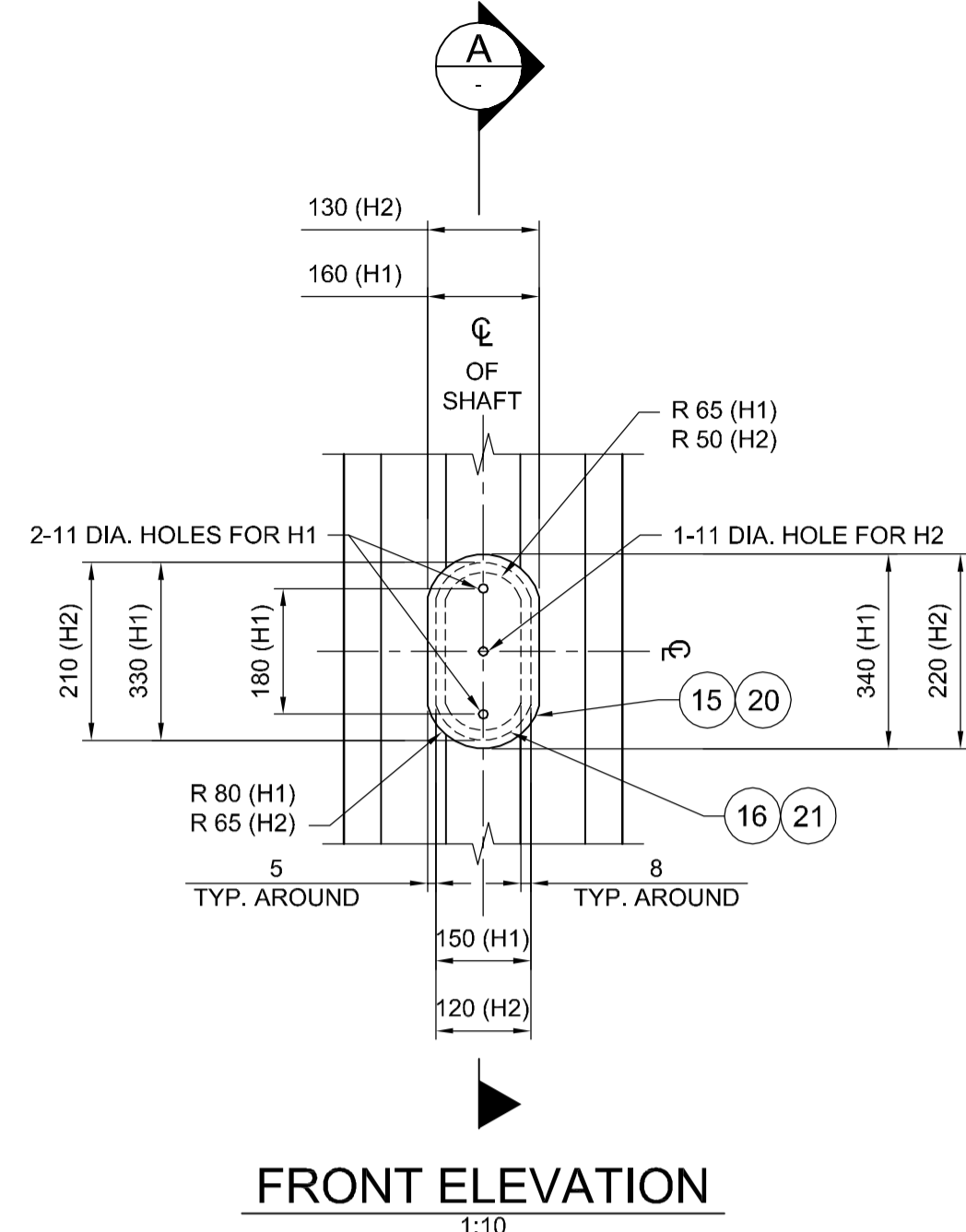
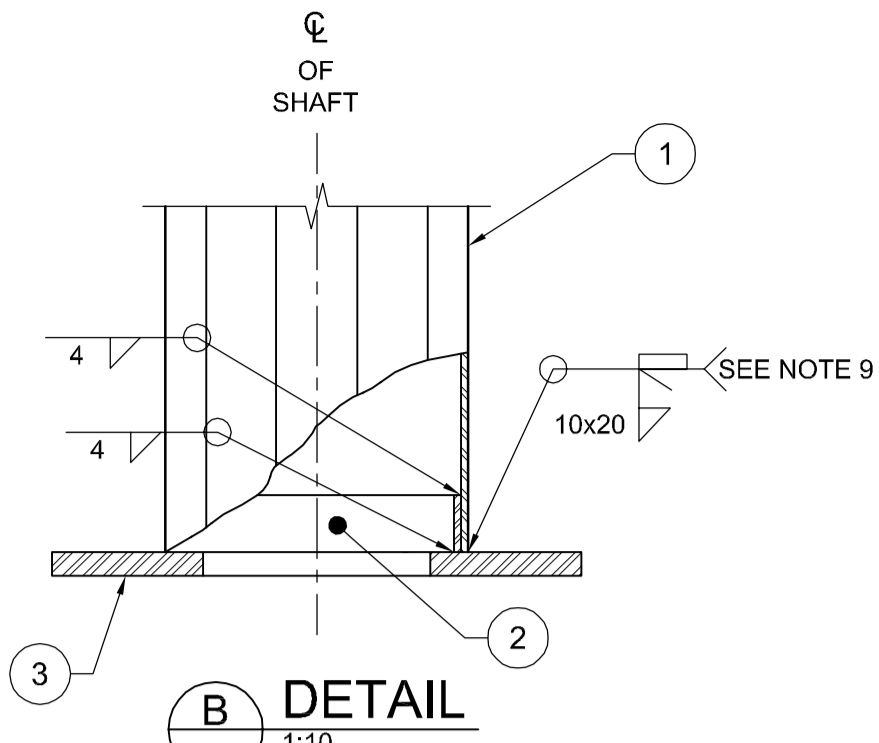
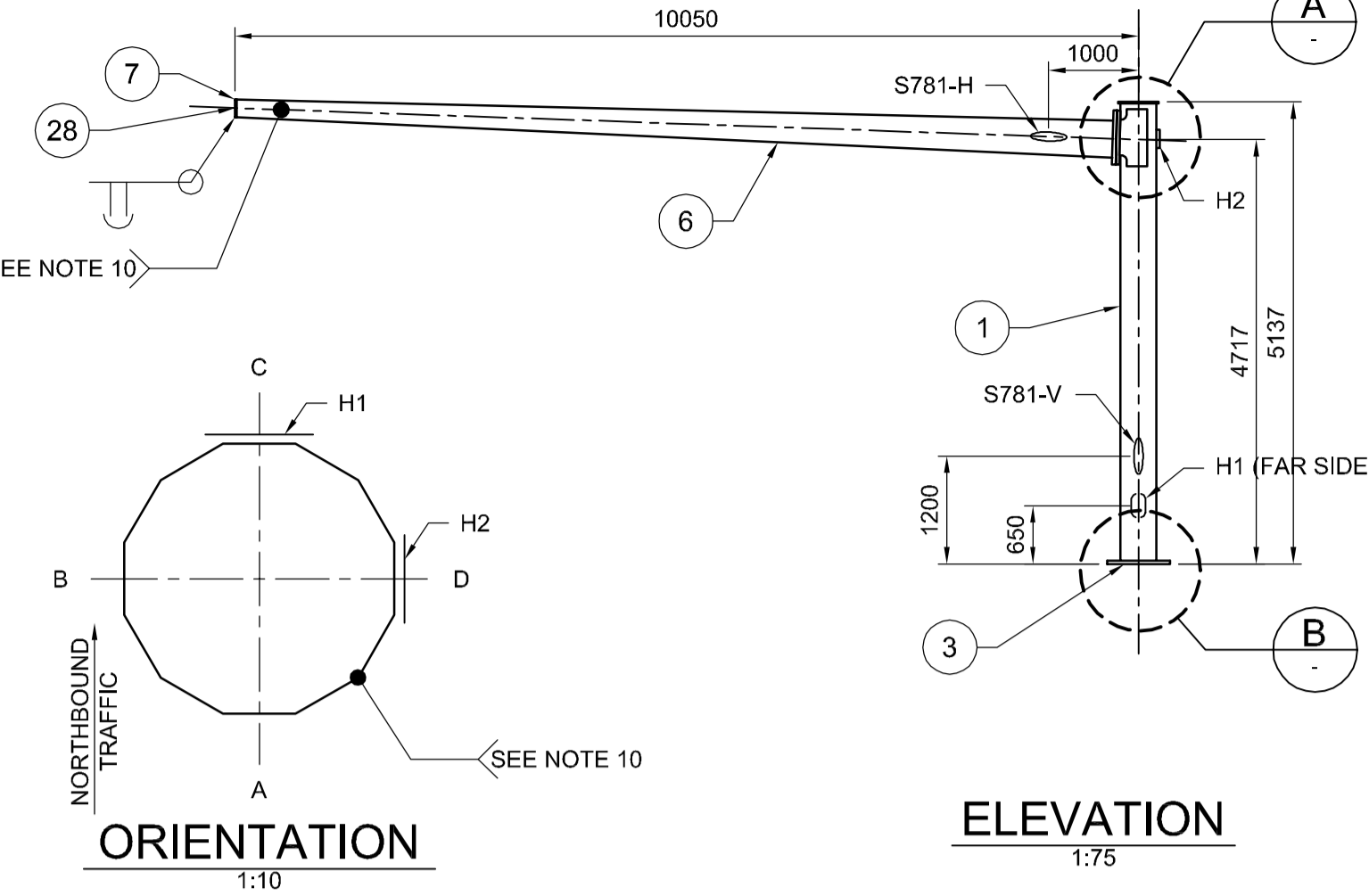
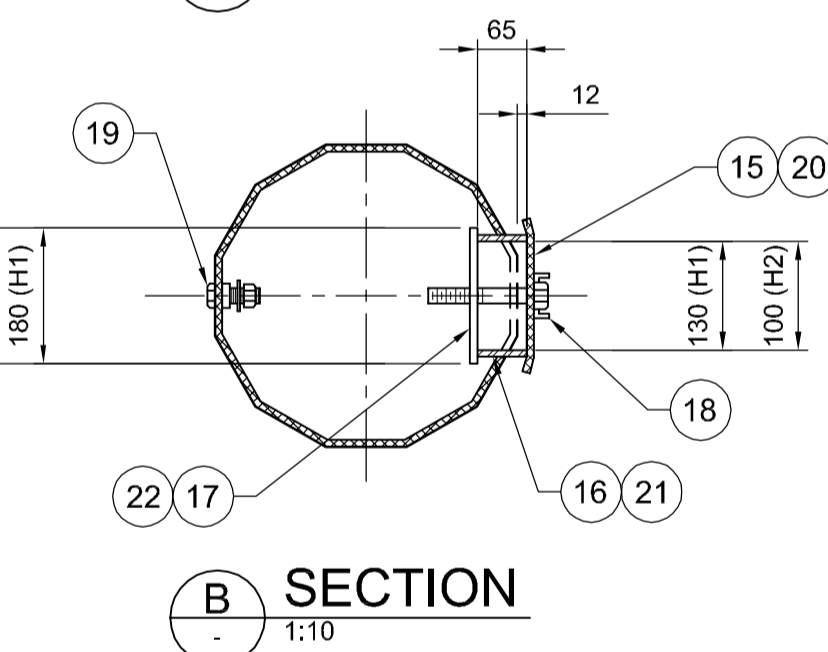
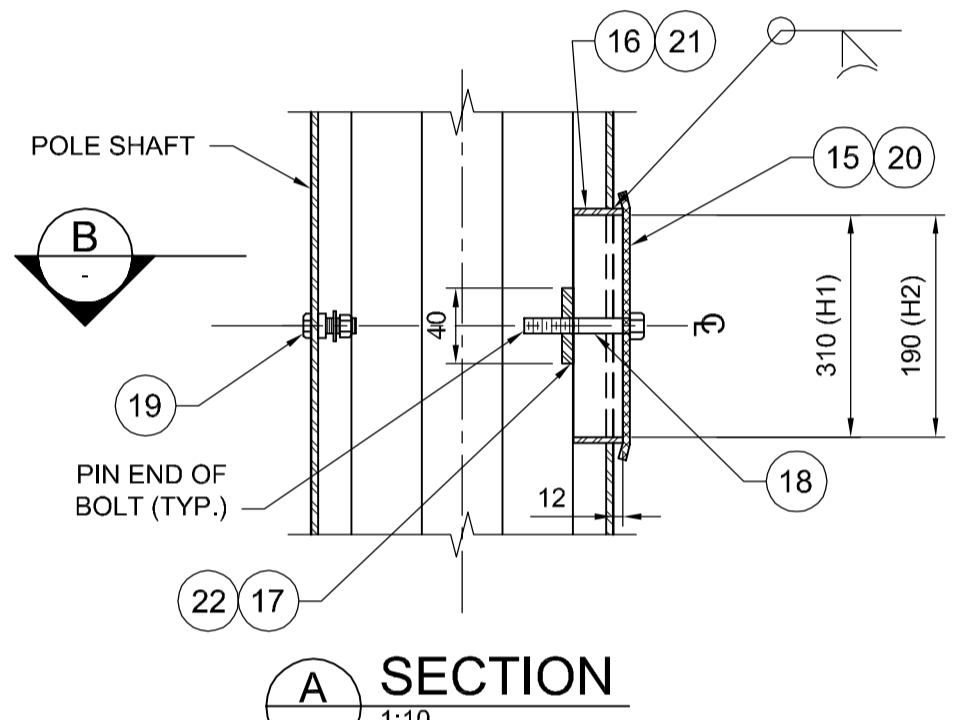
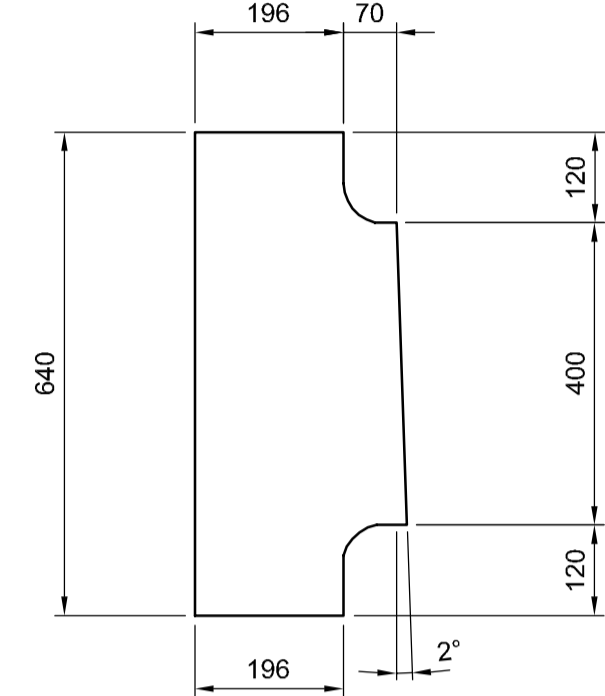
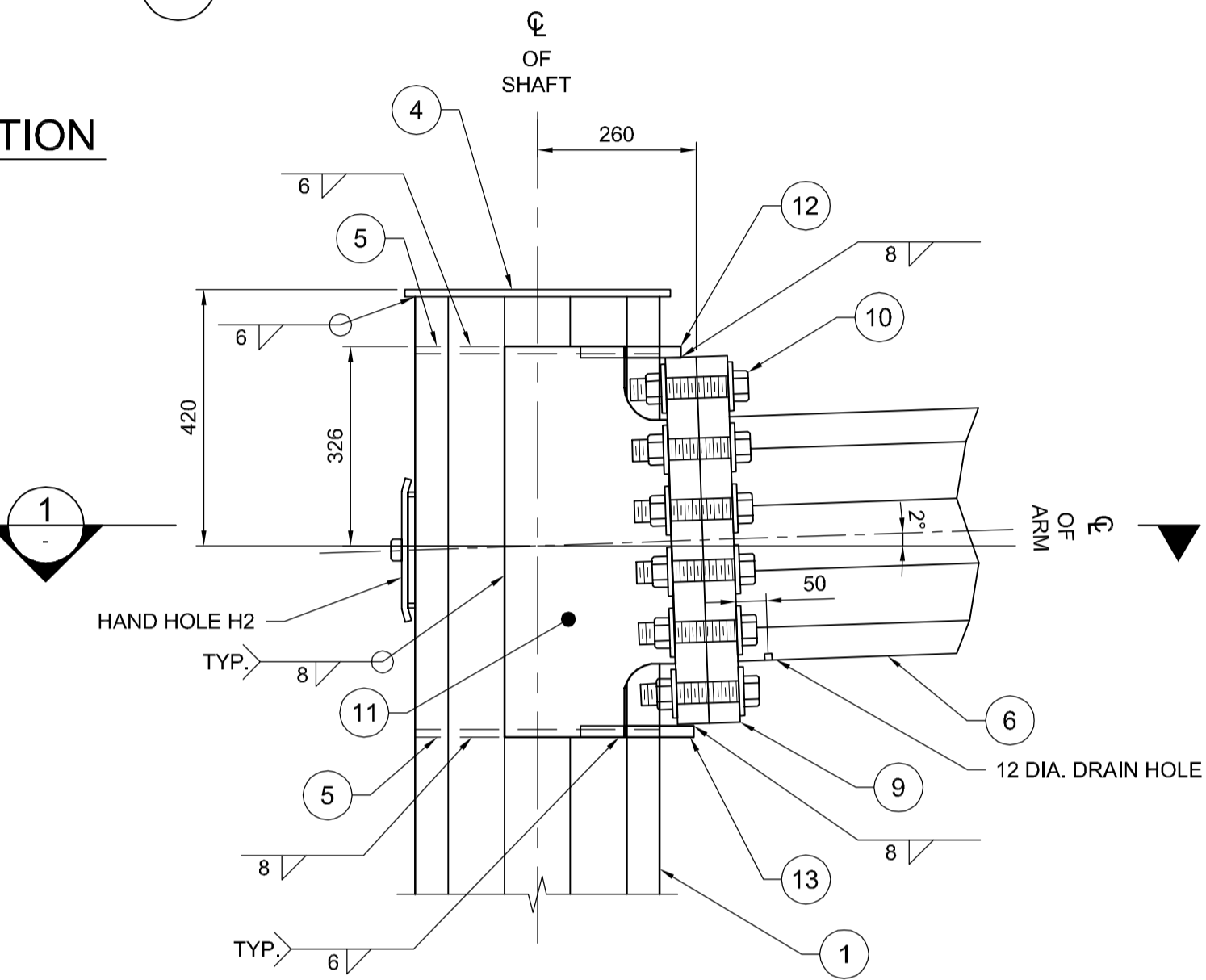
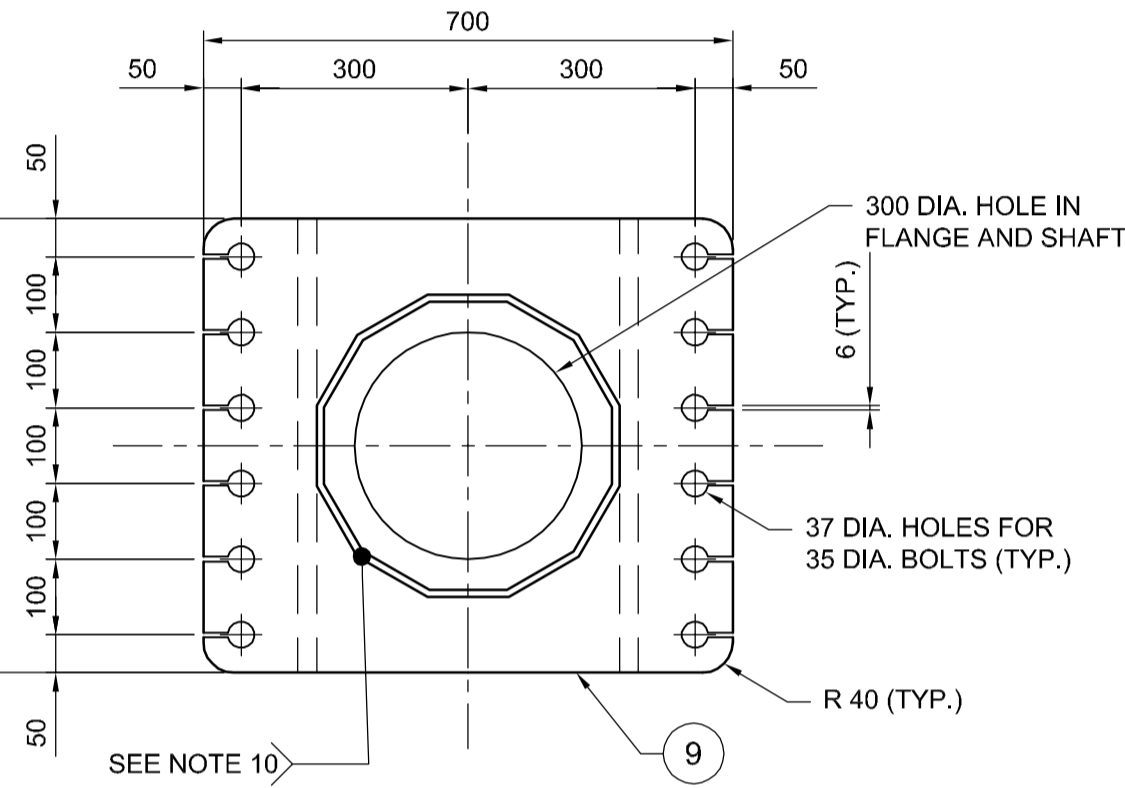
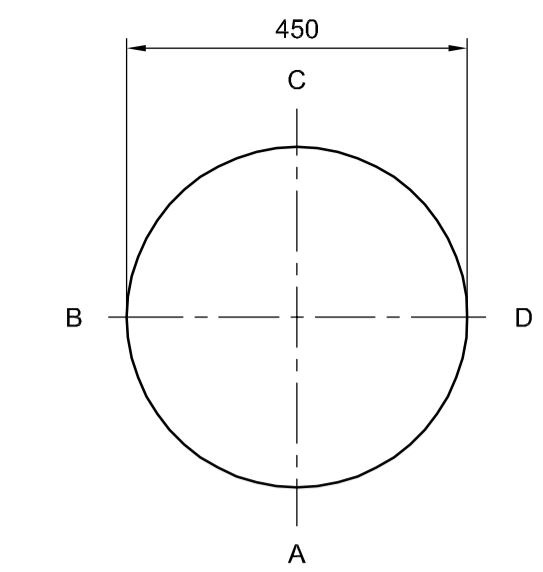


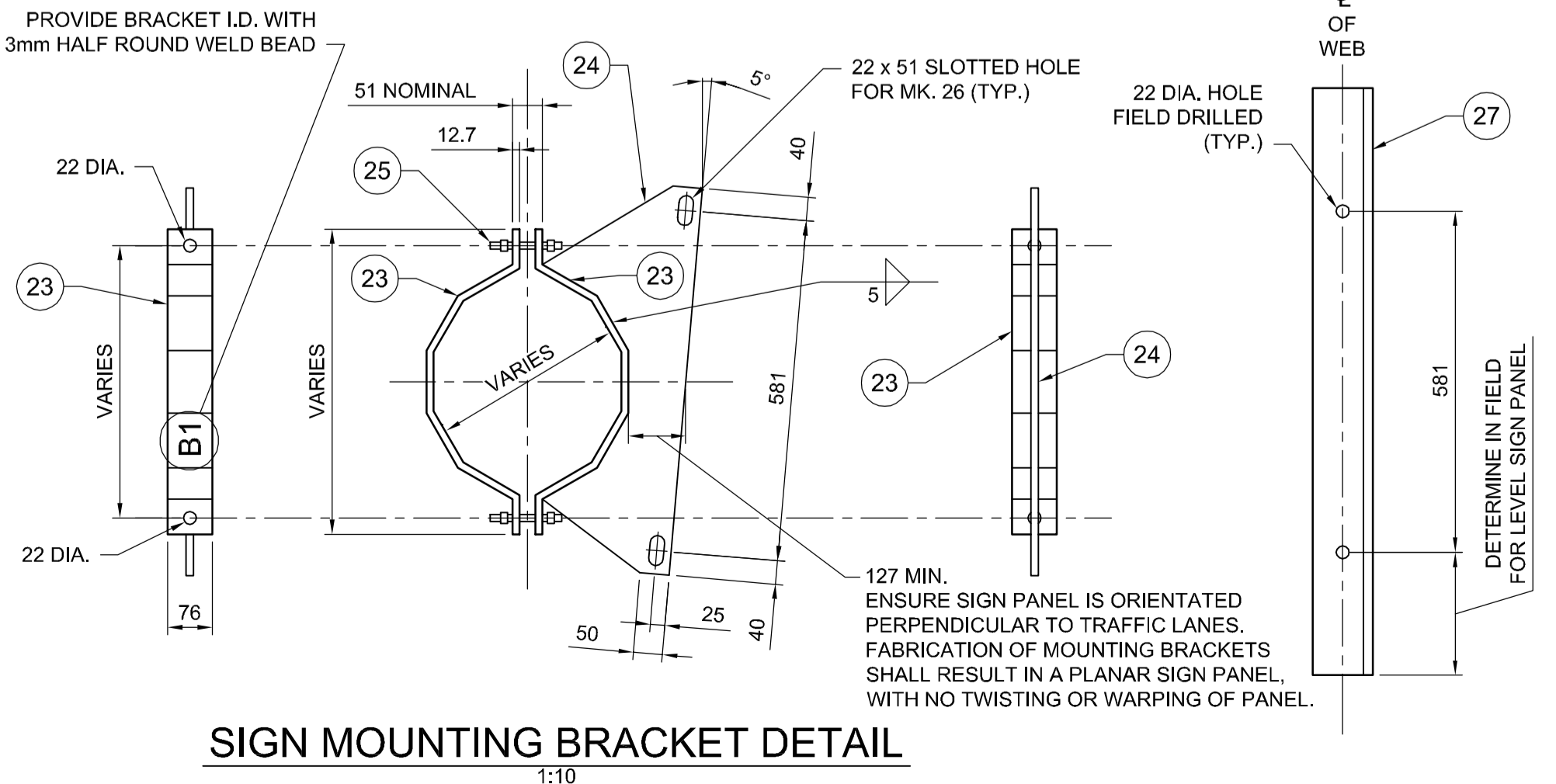
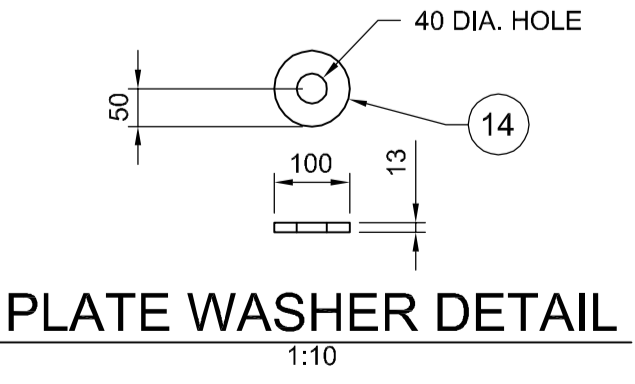
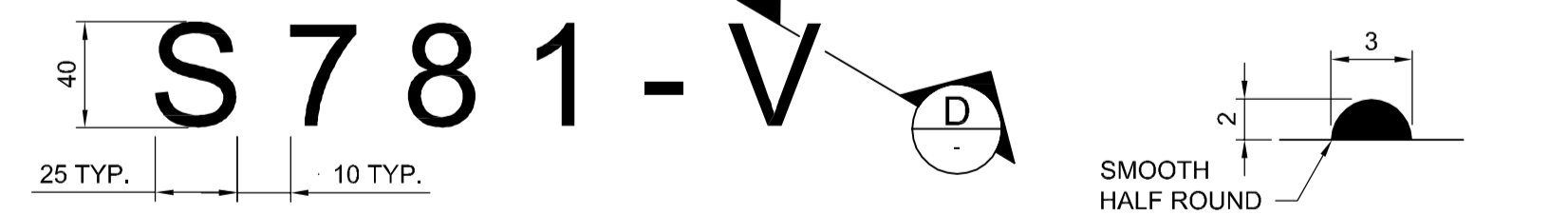
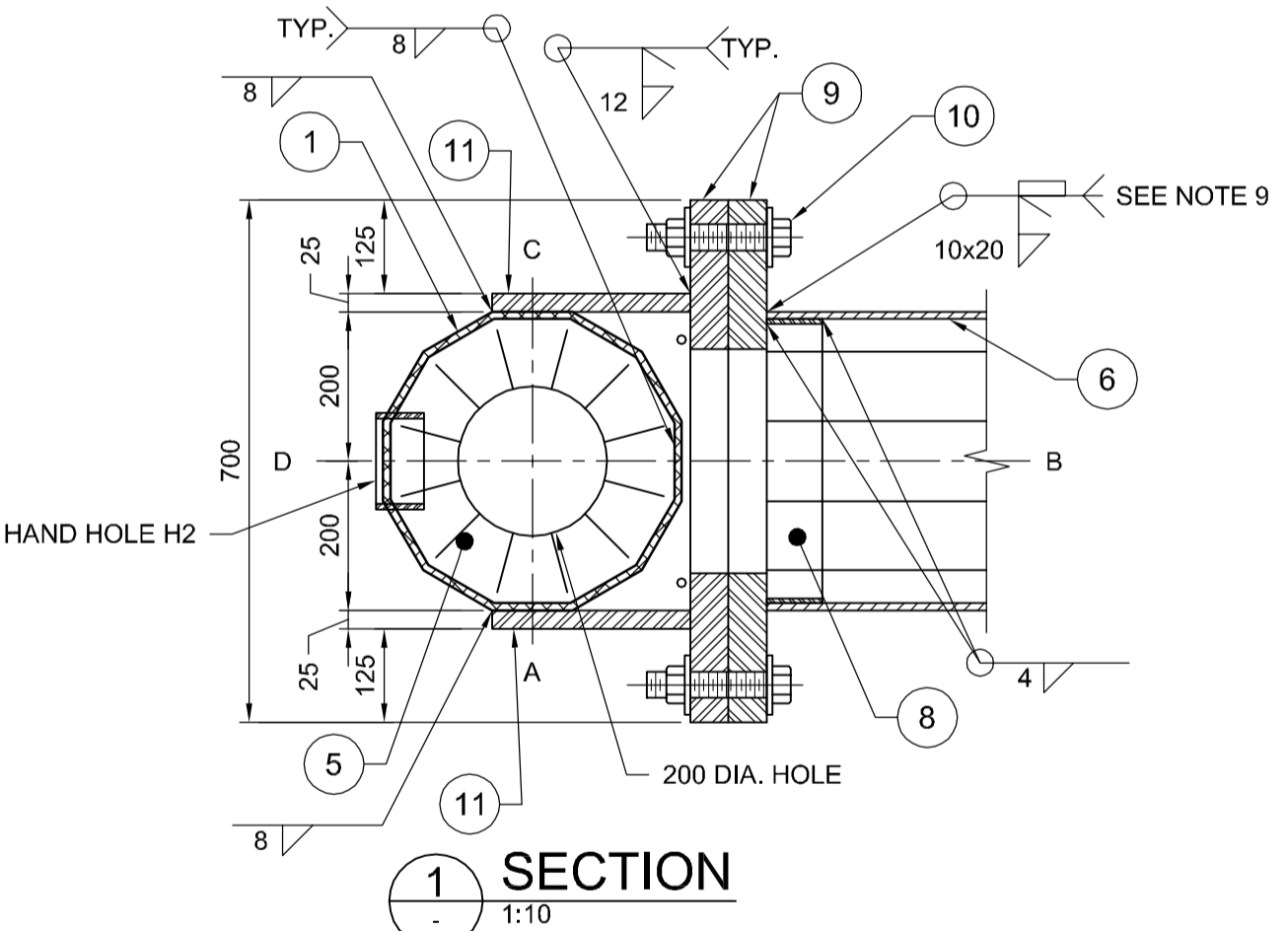
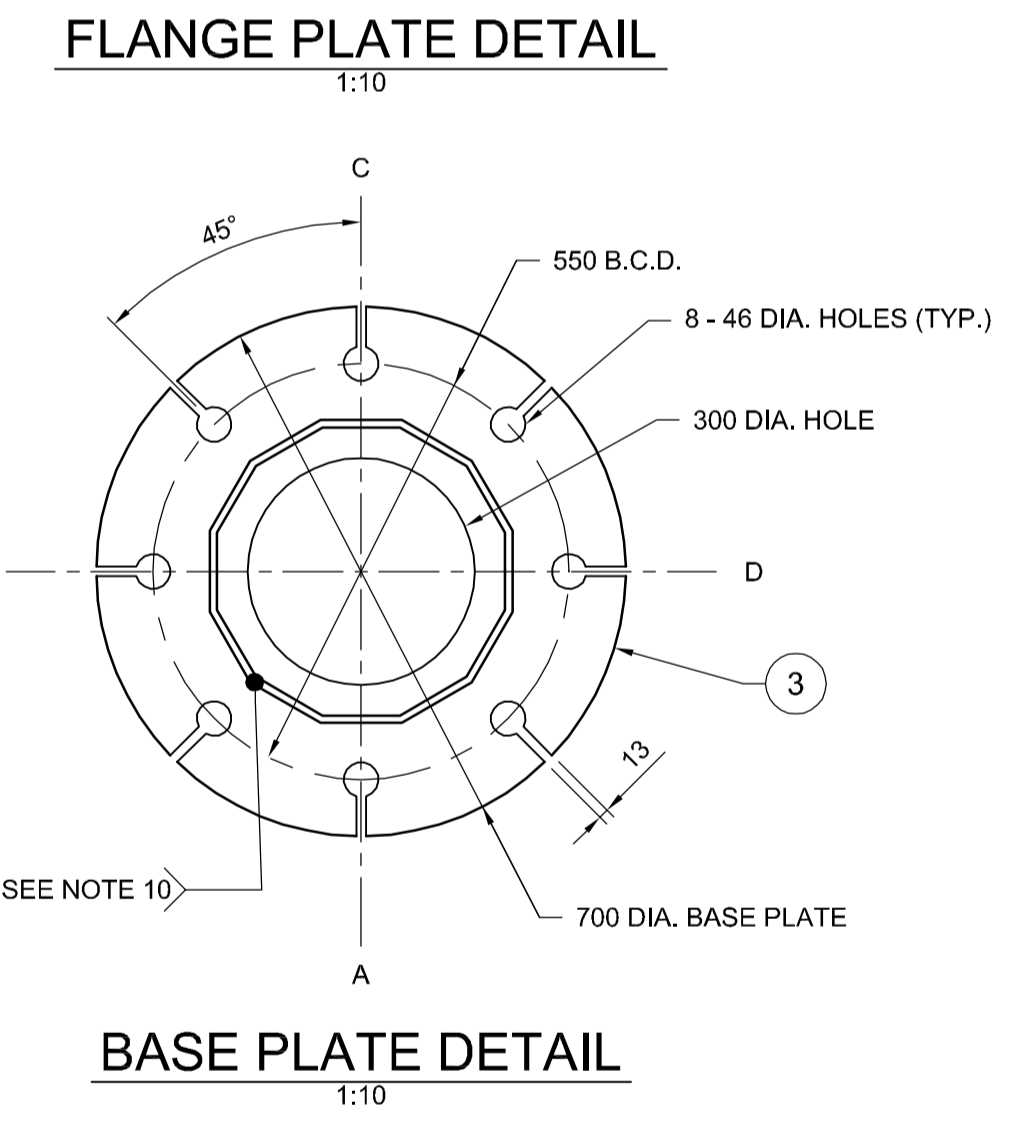
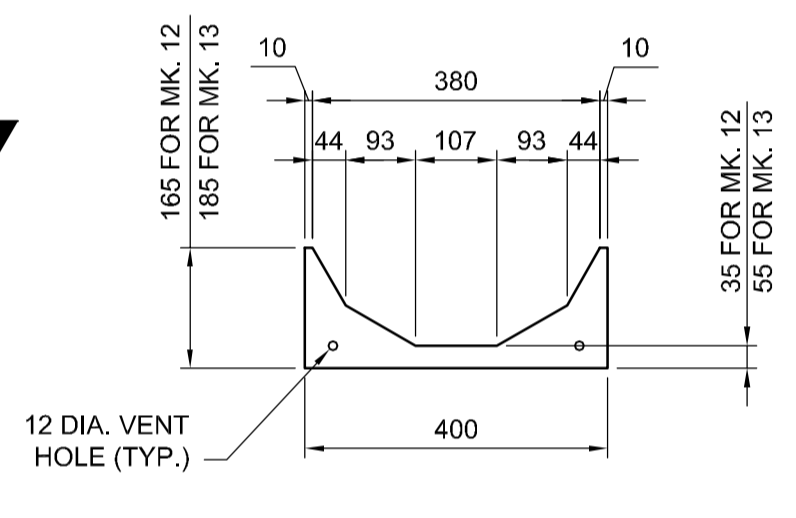
G:\CAD\163353\Technical Workspace\Engineering\Drawings and Figures\Structures\Contract\163353-C2-COM-04SS-S781.dwg



**TOP PLATE - MK. 4**  
1:10



**GUSSET PLATE - MK. 12 & 13**  
1:10



BILL OF MATERIALS		
MK.	QTY.	DESCRIPTION
1	1	DODECAGONAL SHAFT 400 A/F x 9.525 THICK PLATE
2	1	BACK-UP STRIP 75 x 4.763
3	1	BASE PLATE 700 DIA. x 51 THICK
4	1	TOP PLATE 450 DIA. x 12 THICK
5	2	DODECAGONAL GUSSET PLATE 12 THICK
6	1	DODECAGONAL ARM 400 A/F TO 200 A/F x 9.525 THICK PLATE
7	1	DODECAGONAL END PLATE 200 A/F x 4.763 THICK
8	1	BACK-UP STRIP 75 x 4.763
9	2	FLANGE PLATE 51 THICK
10	12	35 DIA. BOLTS C/W NUT & 2 WASHERS (ASTM A325, TYPE 1, GALV.)
11	2	SIDE GUSSET PLATE 25 THICK
12	1	GUSSET PLATE 19 THICK
13	1	GUSSET PLATE 19 THICK
14	16	PLATE WASHER 13 THICK
		HANDHOLE MARK H1
15	1	COVER PLATE 11 GA. x 160x 340 (ASTM A569)
16	1	REINFORCING RING 8 x 65 x 830
17	2	CLAMP BAR 6 x 40 x 180
18	2	10 DIA. x 140 BOLT S/S (TYPE 316)
19	1	GROUND STUD ASSEMBLY 10 DIA. x 40
		HANDHOLE MARK H2
20	1	COVER PLATE 11 GA. x 130 x 220 (ASTM A569)
21	1	REINFORCING RING 8 x 65 x 555
22	1	CLAMP BAR 6 x 40 x 150
18	1	10 DIA. x 140 BOLT S/S (TYPE 316)
19	1	GROUND STUD ASSEMBLY 10 DIA. x 40
		SIGN MOUNTING BRACKET (4 REQUIRED)
23	2	CLAMP BAR 12 x 76 (LENGTH TO SUIT)
24	1	BRACKET PLATE 12 THICK
25	2	19 DIA. ASTM F1554 GRADE 55 THREADED ROD C/W 2 A563 GRADE A NUTS & F436 WASHER AND LOCK WASHER (ALL GALVANIZED)
26	2	19 DIA. S/S BOLT C/W NUT, 2 WASHERS & 1 LOCK WASHER (ASTM A193 GRADE B8)
27	1	ALUMINUM T-BAR 6061-T6 ASTM B221 102 x 76 x 8 LENGTH TO SUIT SIGN PANEL HEIGHT
28	1	HALF COUPLING (1 1/2" NOMINAL) ASTM A105 3000 lb

- NOTES:**
- MARK NO. 17 & 22 C/W 8-DIA. PUNCHED 10 N.C. TAPPED AT THE CENTER OF PLATE.
  - MARK NO. 18 C/W CUP WASHER.
  - MARK NO. 19 C/W 2-10 DIA. HEX NUT, 2-TERMINAL WASHER & 1-LOCKWASHER.

**GENERAL NOTES**

- DESIGN DATA
  - AASHTO STANDARD SPECIFICATIONS FOR STRUCTURAL SUPPORTS FOR HIGHWAY SIGNS, LUMINAIRES, AND TRAFFIC SIGNALS, 5TH EDITION, 2009, PLUS INTERIMS.
  - DESIGN WIND LOAD = 1.5 kPa
  - DESIGN ICE LOAD = 0.15 kPa
  - FATIGUE CATEGORY I CONSIDERING NATURAL WIND GUSTS AND TRUCK INDUCED GUSTS. FATIGUE CATEGORY II FOR GALLOPING.
- ALL PLATE MATERIALS SHALL BE CSA G40.21 - 300W STRUCTURAL STEEL.
- ALL MATERIALS EXCEPT STAINLESS STEEL AND ALUMINUM SHALL BE HOT-DIP GALVANIZED IN ACCORDANCE WITH ASTM A123 TO A MIN. NET RETENTION OF 610 g/m² UNLESS INDICATED OTHERWISE.
- ALL AREAS OF DAMAGED GALVANIZING SHALL BE REPAIRED WITH SPRAY-ON COATING CALLED "ZINGA" OR APPROVED EQUIVALENT, HAVING A MINIMUM 96% ZINC CONTENT IN THE DRY FILM.
- ALUMINUM T-BARS & SIGNS
  - CONTRACTOR SHALL SUPPLY AND DELIVER ALUMINUM T-BARS TO THE CITY OF WINNIPEG TRAFFIC SERVICES SIGN SHOP A MINIMUM OF 3 WEEKS IN ADVANCE OF INTENDED DATE FOR PICKUP. CITY WILL INSTALL SIGN PLATES ON SUPPLIED T-BARS.
  - 1 SIGN PANEL, MAXIMUM SIZE 4200 x 1500 mm AS SHOWN ON SHEET 070. SUPPLIED BY THE CITY OF WINNIPEG TRAFFIC SERVICES BRANCH. PICK UP AND INSTALLATION BY CONTRACTOR.
  - SIGN PANELS SHALL BE INSTALLED ON THE SIGN SUPPORT STRUCTURE IMMEDIATELY FOLLOWING ERECTION OF THE SUPPORT STRUCTURE (SAME DAY).
- INSTALL HOLES IN THE GUSSET PLATES FOR DRAINAGE DURING GALVANIZING AS DETAILED.
- PROVIDE "RAISED" IDENTIFICATION NO. WITH WELDING ELECTRODE FOR THE SIGN STRUCTURE.
- GRIND ALL SHARP POINTS AND EDGES.
- EXTERIOR WELD JOINING SHAFT TO TRANSVERSE PLATE SHALL BE AN UNEQUAL LEG COMPLETE PENETRATION WELD WITH THE LONG LEG OF THE WELD ALONG THE SHAFT TERMINATING AT 30° FROM THE SHAFT SURFACE.
- SEAM WELDS SHALL BE 100% PENETRATION WITHIN 200mm OF BOTH ENDS OF THE VERTICAL AND ARM SHAFTS.

**METRIC**

WHOLE NUMBERS INDICATE MILLIMETRES  
DECIMALIZED NUMBERS INDICATE METRES

**WARNING**

- IF POWER EQUIPMENT OR EXPLOSIVES ARE TO BE USED FOR EXCAVATION ON THIS PROJECT THE CONTRACTOR MUST:
- NOTIFY THE GAS COMPANY OF THE PROPOSED LOCATION OF EXCAVATION.
  - TAKE PRECAUTION TO AVOID DAMAGE TO GAS COMPANY INSTALLATIONS SEE PROVINCIAL REGULATION 210/72 FOR DETAILS.
  - OBTAIN EXCAVATION PERMITS PRIOR TO CONSTRUCTION.

**APEGM**  
Certificate of Authorization  
Dillon Consulting Limited (MB)  
No. 1789 Date: 2017/01/09

DESIGNED BY		CHECKED BY	
DRA		SSR	
DRAWN BY		APPROVED BY	
MDG		DBW	
HOR. SCALE AS SHOWN		RELEASED FOR CONSTRUCTION	
VERTICAL AS SHOWN		DATE	

ENGINEER'S SEAL  
PROVINCE OF MANITOBA  
D.R.C. AMORIM  
Member 33215  
REGISTERED PROFESSIONAL ENGINEER  
CONSULTANT PROJECT NUMBER  
16-3353

**THE CITY OF WINNIPEG**  
PUBLIC WORKS DEPARTMENT  
WAVERLEY STREET UNDERPASS AT CN MILE 3.89 RIVERS RD  
CONTRACT 2: UNDERPASS STRUCTURE, RAILWORKS, ROADWORKS, LAND DRAINAGE SEWER, PUMPING STATION AND LANDSCAPING WORKS  
CITY DRAWING NUMBER U-239-2016-C2-CS-071  
SHEET 071 OF 085  
CONSULTANT DRAWING NUMBER C2-CS-071