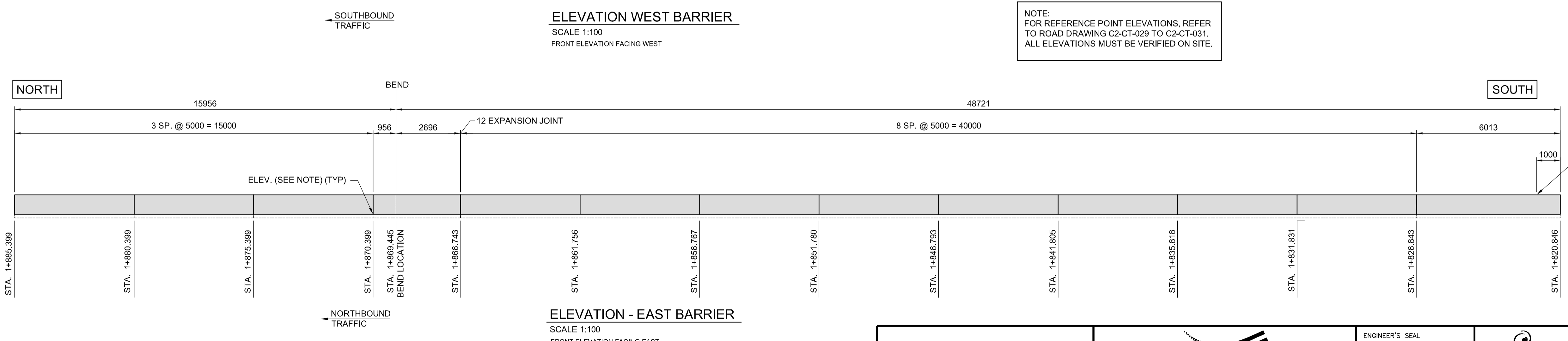
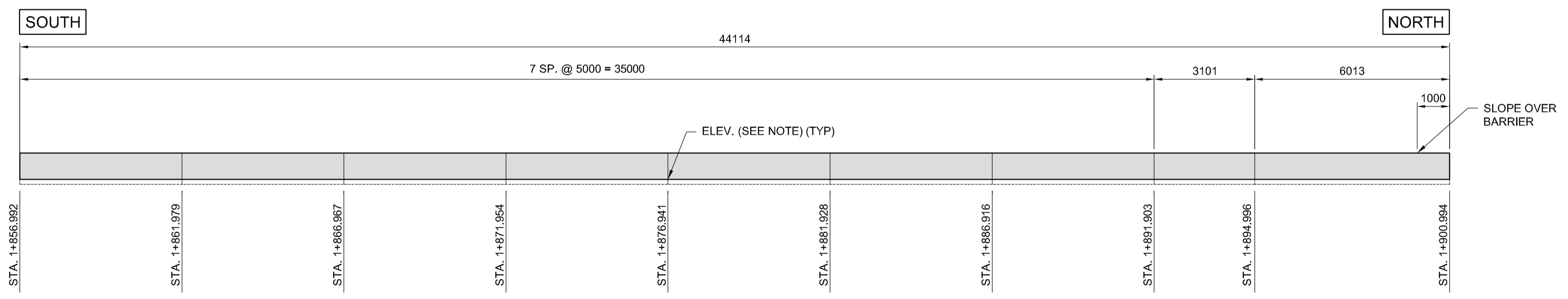
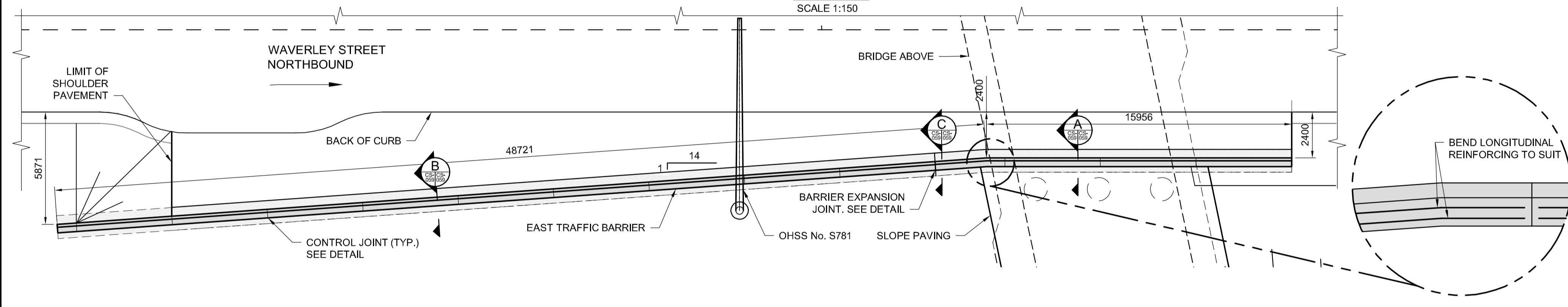
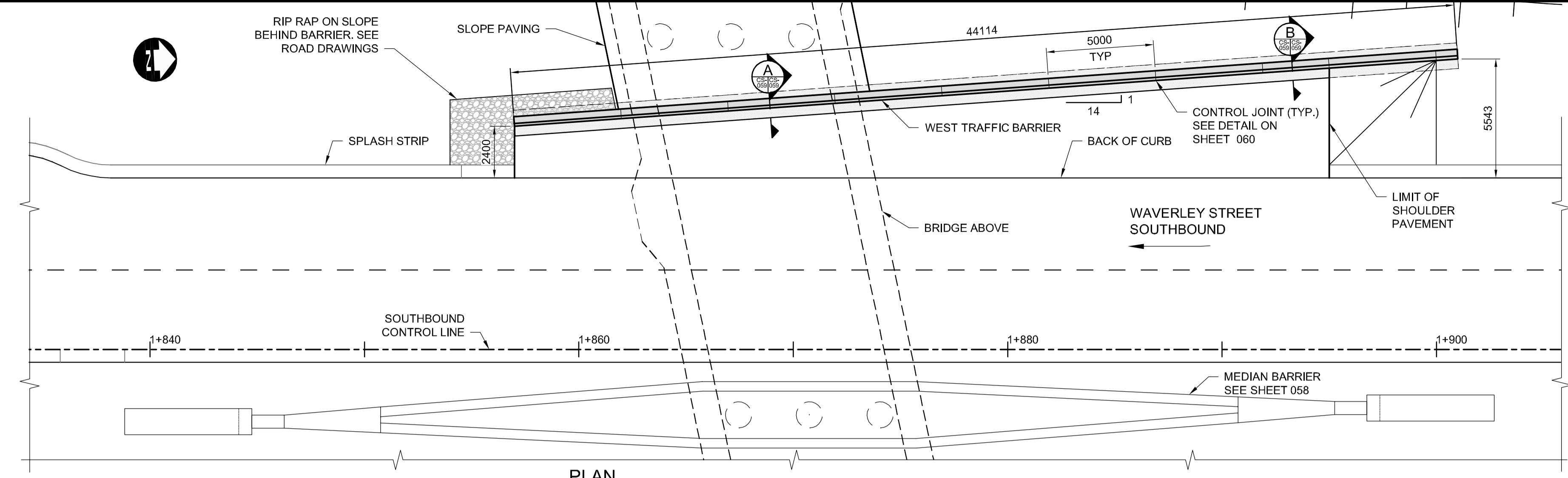
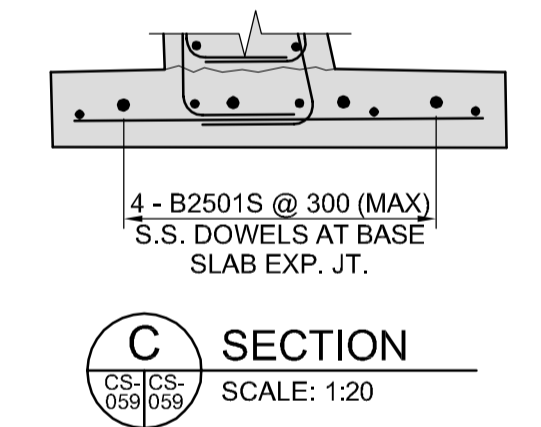
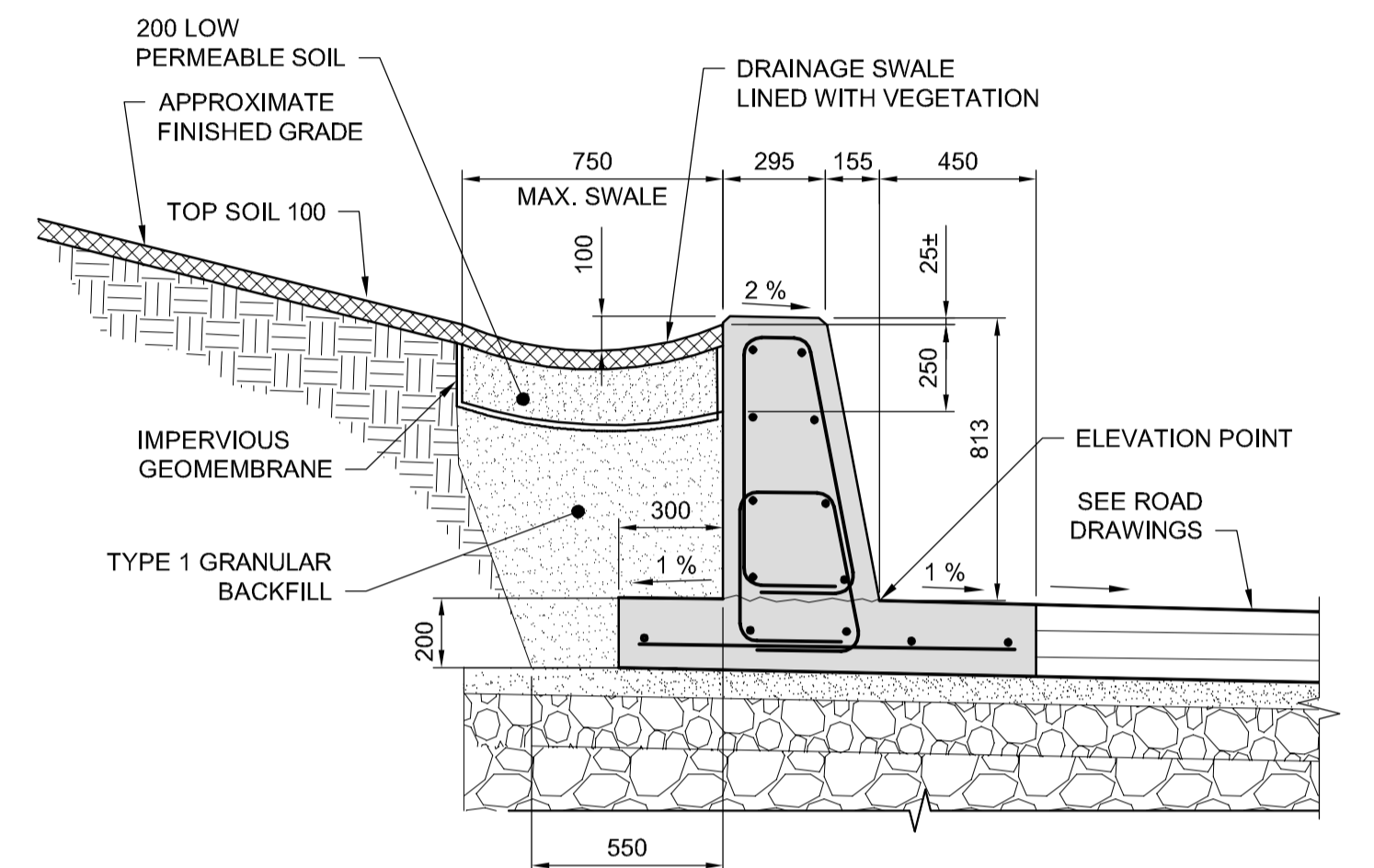
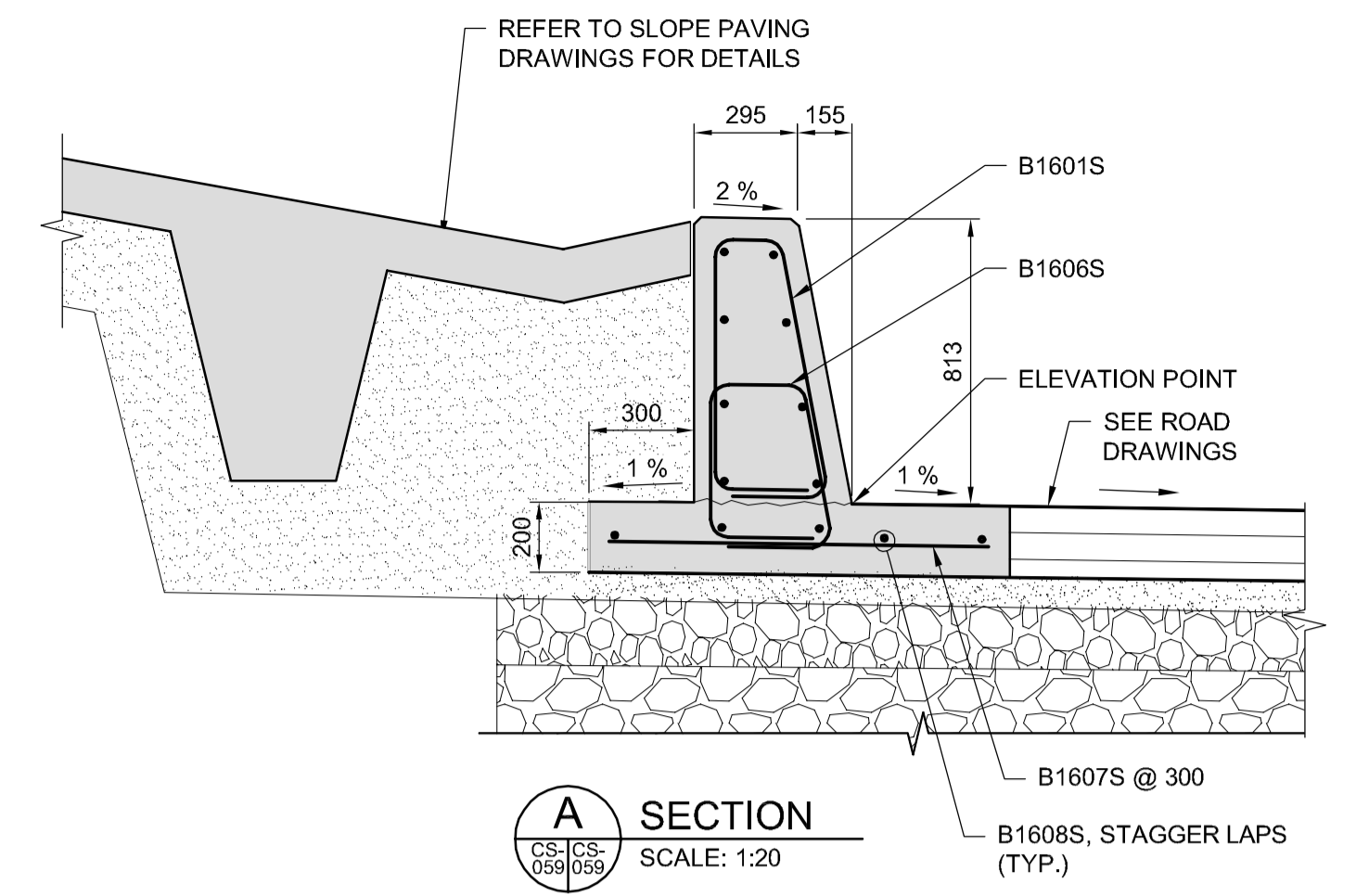


G:\CAD\163353\Technical Workspace\Engineering\Drawings and Figures\Structures\Contract\163353-C2-CON-CS-TRAFFIC BARRIERS2.dwg



NOTE:
FOR REFERENCE POINT ELEVATIONS, REFER TO ROAD DRAWING C2-CT-029 TO C2-CT-031. ALL ELEVATIONS MUST BE VERIFIED ON SITE.



- NOTES:**
- FOR GENERAL NOTES SEE SHEET C2-CS-001.
 - FOR CONCRETE NOTES SEE SHEET C2-CS-001.
 - ALL EXPOSED EDGES TO BE CHAMFERED 20 mm UNLESS NOTED OTHERWISE.
 - CONCRETE FINISHES SHALL BE AS PER SPECIFICATION.



NO.	REVISIONS	DATE	BY	DATE
0	ISSUED FOR TENDER	17/01/09	RE	

DESIGNED BY	RE	CHECKED BY	SSR
DRAWN BY	DB	APPROVED BY	DBW
HOR. SCALE	AS SHOWN	RELEASED FOR CONSTRUCTION	
VERTICAL	AS SHOWN		

ENGINEER'S SEAL
PROVINCE OF MANITOBA
R.B. ERIC
Member 22665
REGISTERED PROFESSIONAL ENGINEER
CONSULTANT PROJECT NUMBER
16-3353

THE CITY OF WINNIPEG
PUBLIC WORKS DEPARTMENT
Winnipeg
WAVERLEY STREET UNDERPASS AT CN MILE 3.89 RIVERS SUB
CONTRACT 2: UNDERPASS STRUCTURE, RAILWORKS,
ROADWORKS, LAND DRAINAGE SEWER, PUMPING STATION
AND LANDSCAPING WORKS
CITY DRAWING NUMBER
U-239-2016-C2-CS-059
SHEET 059 OF 085
CONSULTANT DRAWING NUMBER
C2-CS-059