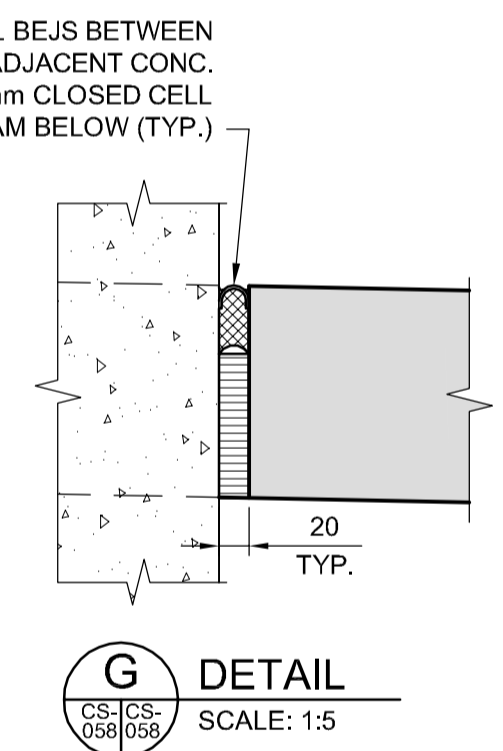
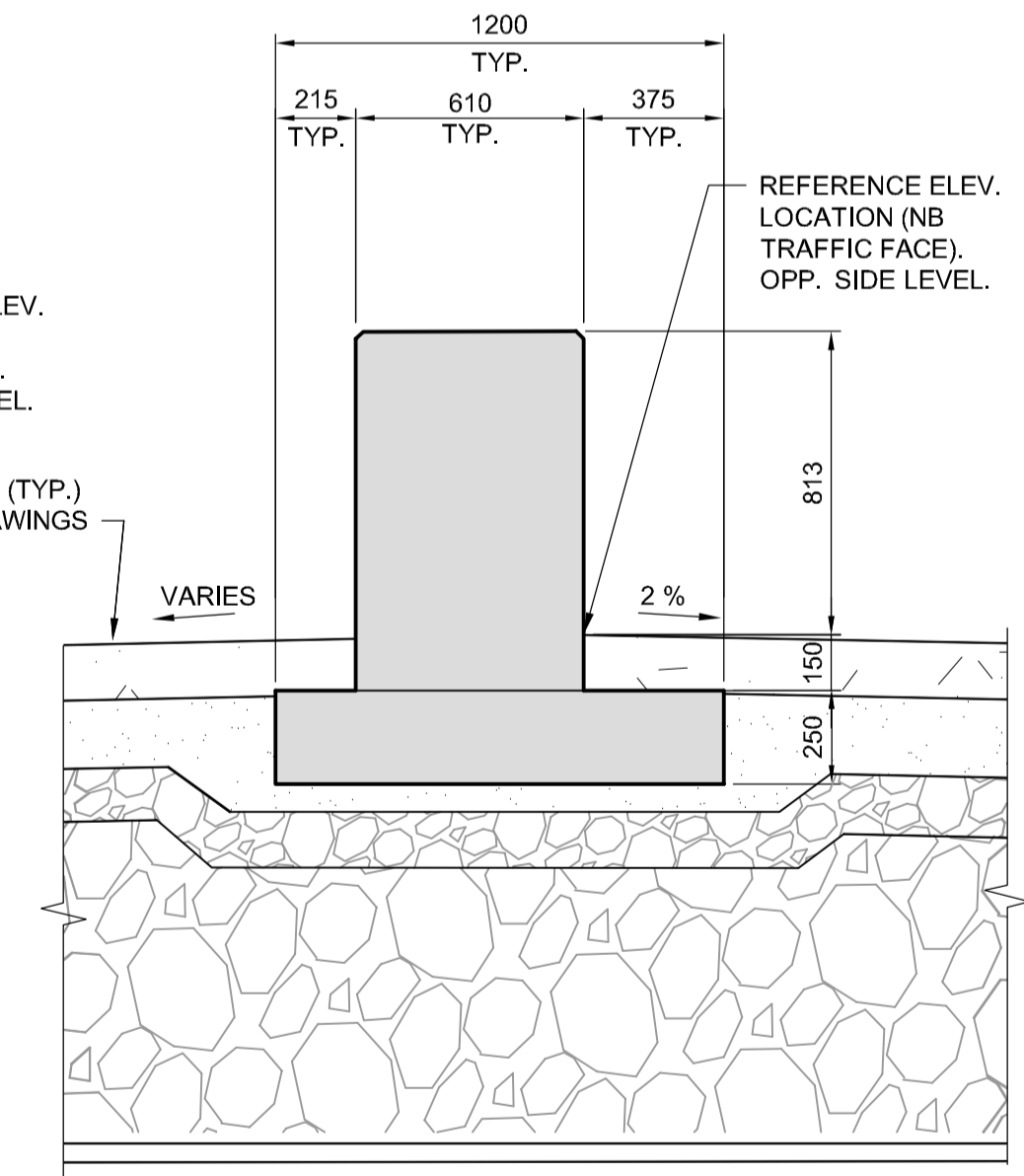
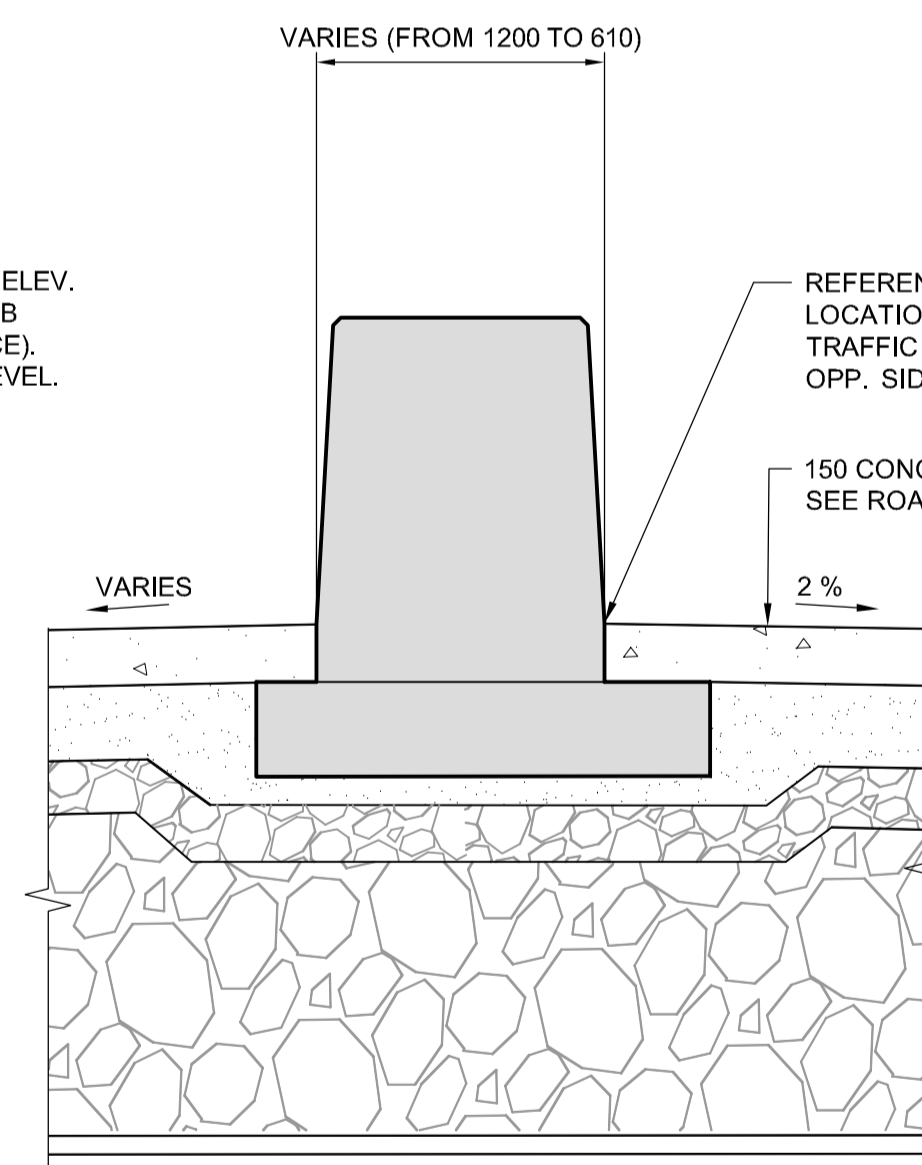
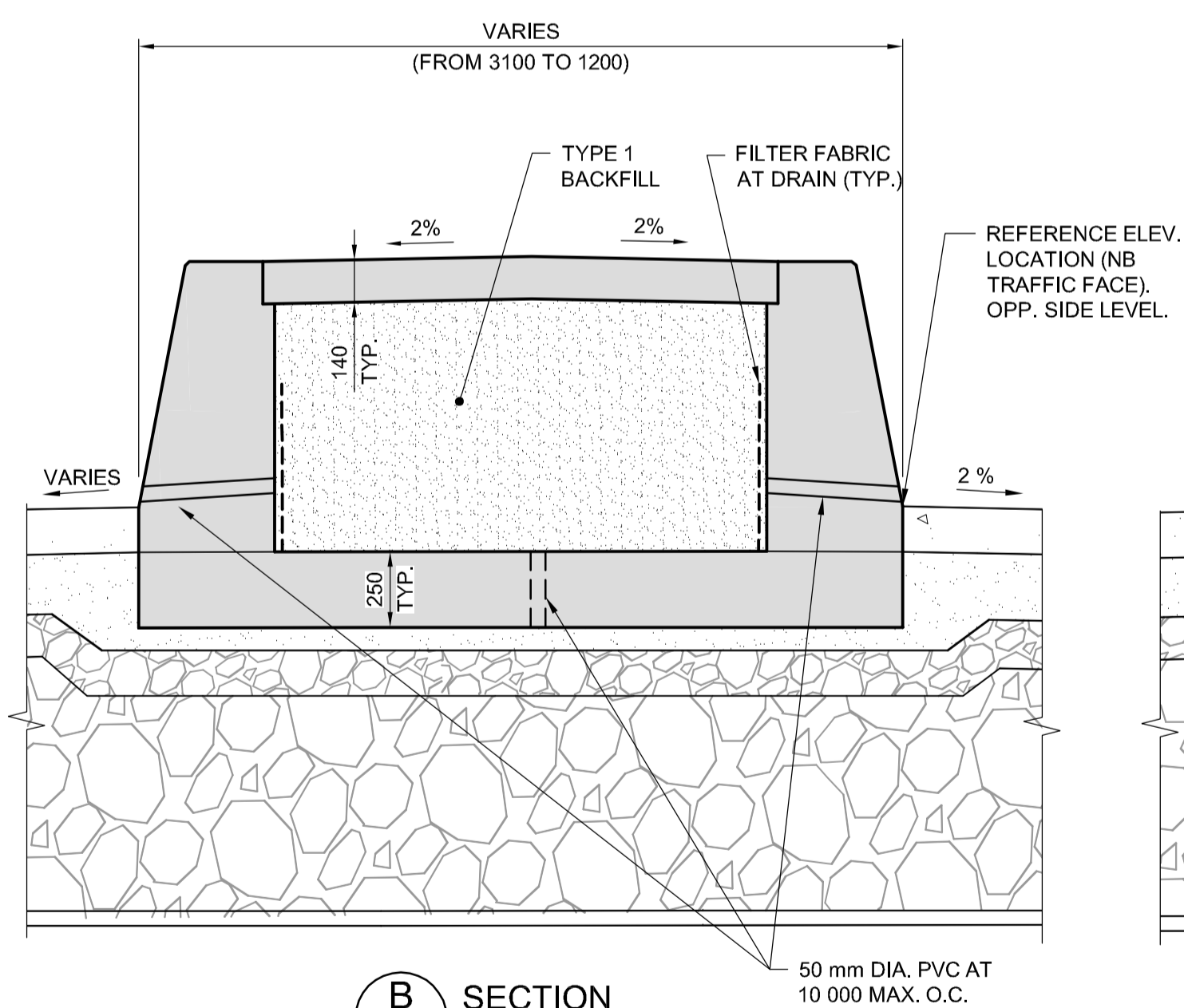
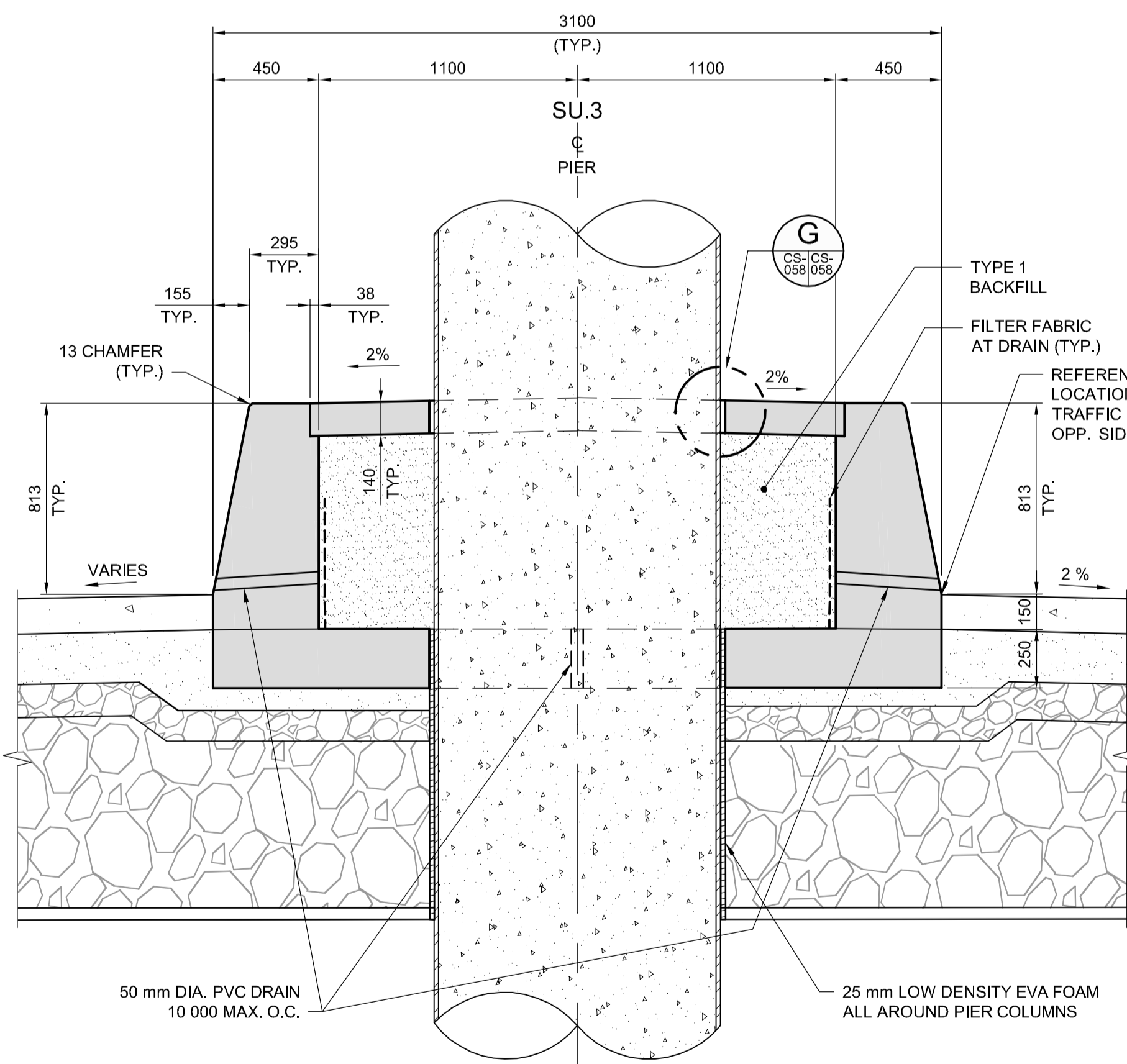


NOTE:  
FOR REFERENCE POINT ELEVATIONS, REFER TO ROAD DRAWING C2-CT-029 TO C2-CT-031. ALL ELEVATIONS MUST BE VERIFIED ON SITE.



- NOTES:**
- FOR GENERAL NOTES SEE SHEET C2-CS-001.
  - FOR CONCRETE NOTES SEE SHEET C2-CS-001.
  - ALL EXPOSED EDGES TO BE CHAMFERED 20 mm UNLESS NOTED OTHERWISE.
  - CONCRETE FINISHES SHALL BE AS PER SPECIFICATION.



NO.	REVISIONS	DATE	BY	DATE
0	ISSUED FOR TENDER	17/01/09	RE	

DESIGNED BY	RE	CHECKED BY	SSR
DRAWN BY	CGC	APPROVED BY	DBW
HOR. SCALE	AS SHOWN	RELEASED FOR CONSTRUCTION	
VERTICAL SCALE	AS SHOWN		

ENGINEER'S SEAL  
PROVINCE OF MANITOBA  
**R.B. ERIC**  
Member 22665  
REGISTERED PROFESSIONAL ENGINEER  
CONSULTANT PROJECT NUMBER  
**16-3353**

**THE CITY OF WINNIPEG**  
PUBLIC WORKS DEPARTMENT  
Waverley Street Underpass at CN Mile 3.89 Rivers Sub  
Contract 2: Underpass Structure, Railworks,  
Roadworks, Land Drainage Sewer, Pumping Station  
and Landscaping Works  
TRAFFIC BARRIER CONCRETE  
DETAILS - SHEET 1  
CITY DRAWING NUMBER  
U-239-2016-C2-CS-058  
SHEET 058 OF 085  
CONSULTANT DRAWING NUMBER  
C2-CS-058