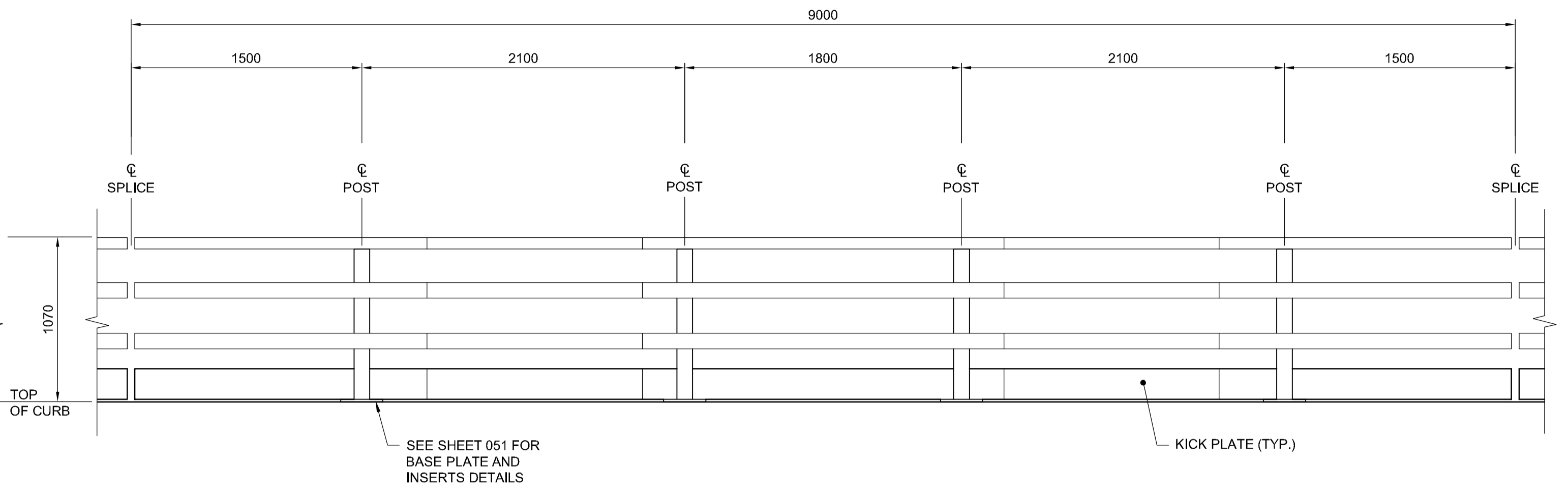
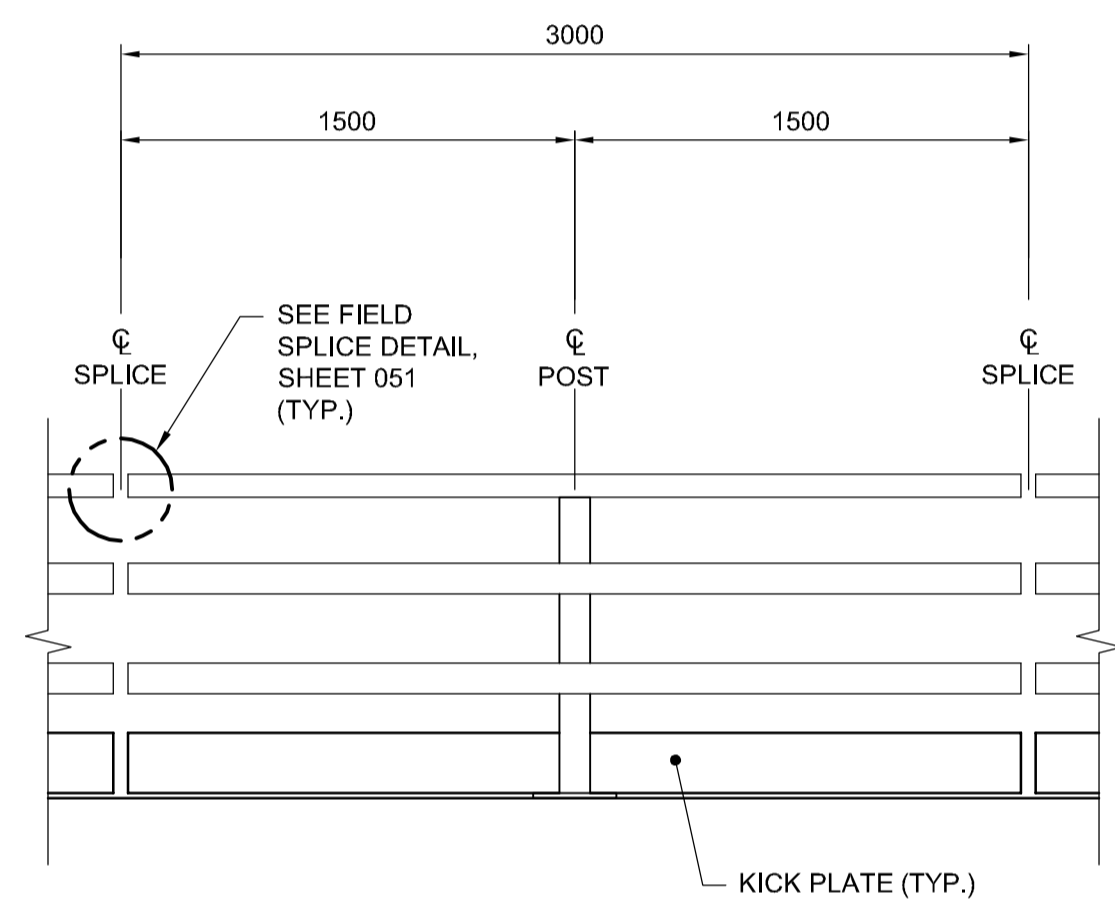


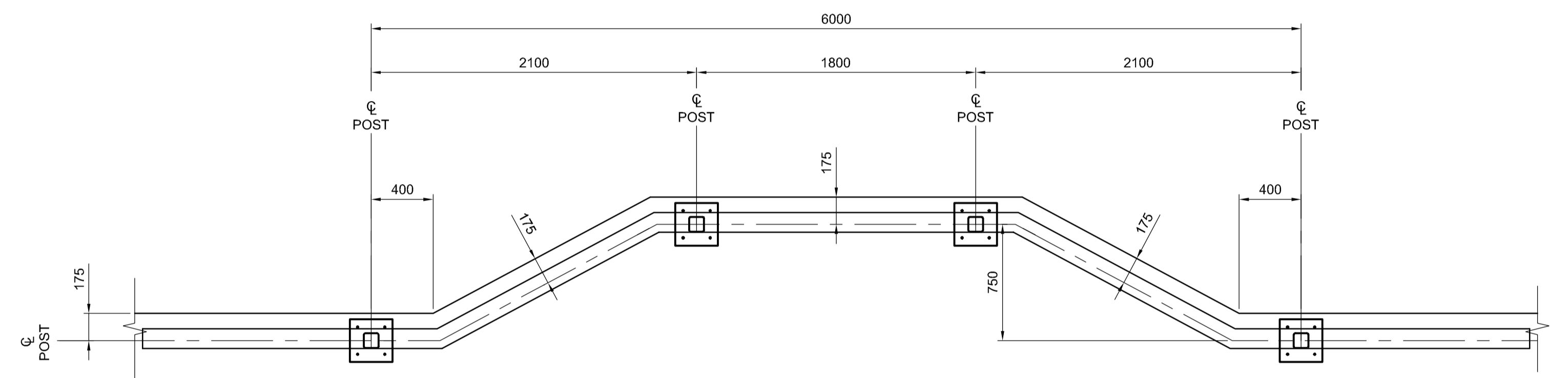
ELEVATION - RAILING UNIT 'A'
SCALE 1:25



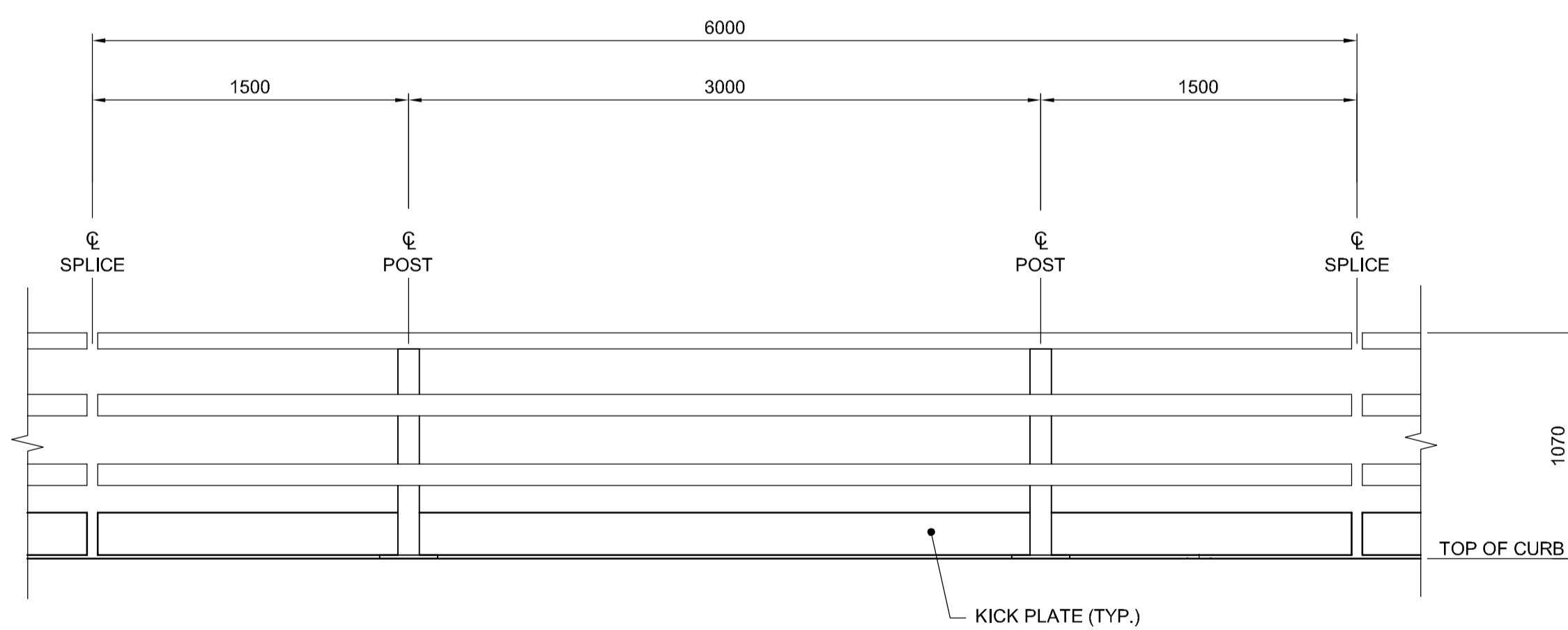
ELEVATION - TYPICAL REFUGE BAY RAILING UNIT 'B'
SCALE 1:25



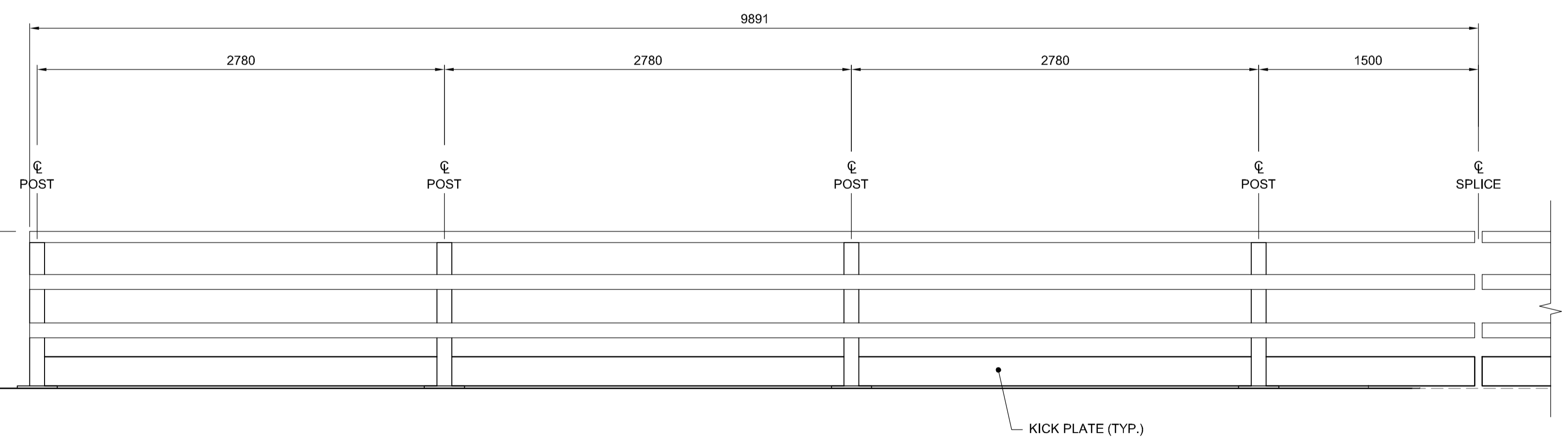
ELEVATION - RAILING UNIT 'C'
SCALE 1:25



PLAN - TYPICAL REFUGE BAY
SCALE 1:25



ELEVATION - RAILING UNIT 'D'
SCALE 1:25



ELEVATION - RAILING UNIT 'E'
SCALE 1:25

NOTE:
1. FOR FIELD SPLICE DETAILS REFER TO SHEET CS-051

PANEL	No. REQ'D	REMARKS
A	11	3 POSTS
B	4	REFUGE BAY - 4 POSTS
C	3	1 POST
D	1	2 POSTS
E	4	WING WALL - 4 POSTS
TOTAL: 23 PANELS, 70 POSTS		



NO.	REVISIONS	DATE	BY
0	ISSUED FOR TENDER	17/01/09	RE

DESIGNED BY	RE	CHECKED BY	SSR
DRAWN BY	CO	APPROVED BY	DBW
HOR. SCALE	AS SHOWN	RELEASED FOR CONSTRUCTION	
VERTICAL SCALE	AS SHOWN		

ENGINEER'S SEAL

 CONSULTANT PROJECT NUMBER
16-3353

THE CITY OF WINNIPEG
 PUBLIC WORKS DEPARTMENT

 WAVERLEY STREET UNDERPASS AT CN MILE 3.89 RIVERS SUB
 CONTRACT 2: UNDERPASS STRUCTURE, RAILWORKS,
 ROADWORKS, LAND DRAINAGE SEWER, PUMPING STATION
 AND LANDSCAPING WORKS
 CITY DRAWING NUMBER
 U-239-2016-C2-CS-052
 SHEET **052** OF **085**
 CONSULTANT DRAWING NUMBER
C2-CS-052