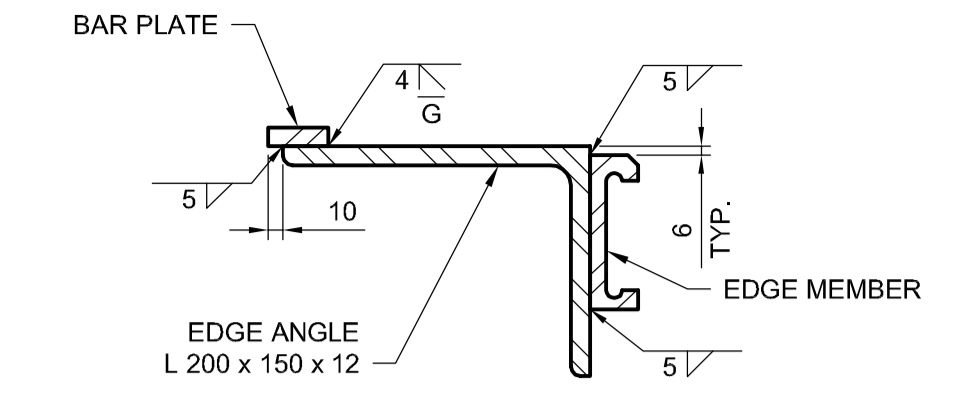
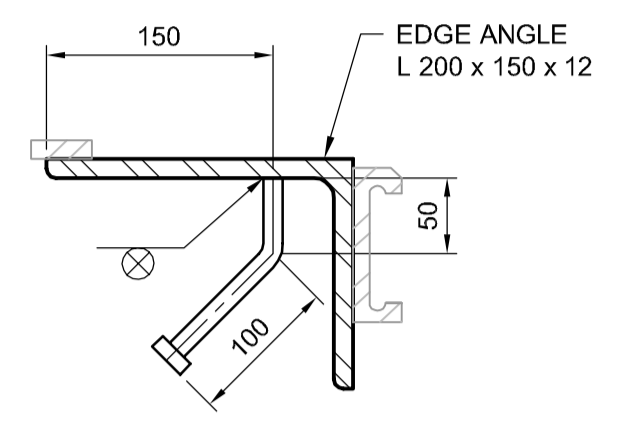


PLAN
SCALE 1:20
FOR SU.2, SU.3 AND SU.4

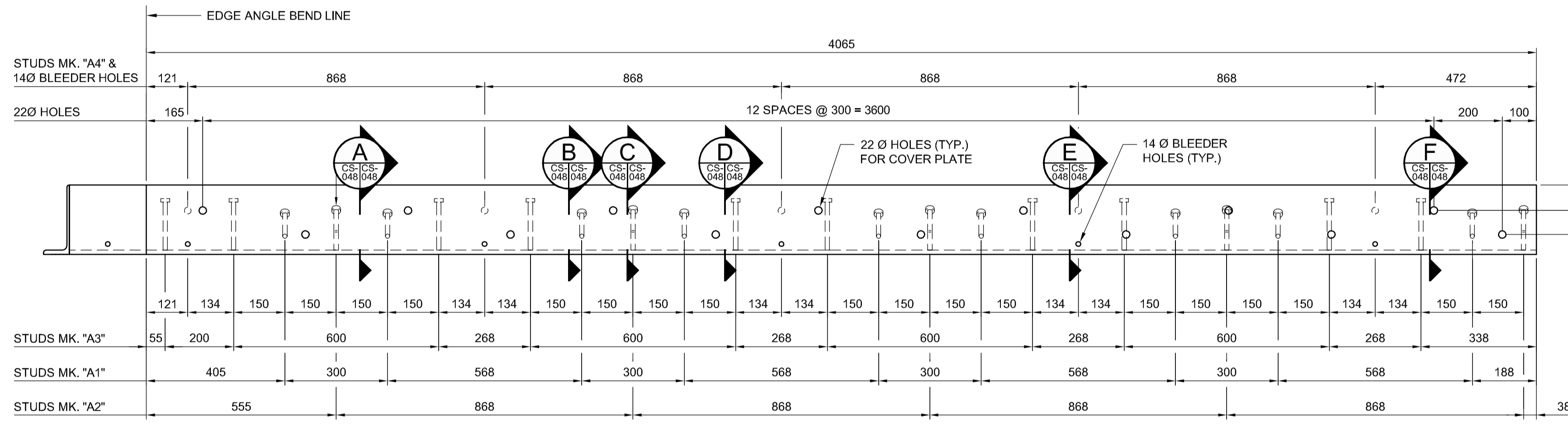
NOTE:
COVER PLATES NOT SHOWN FOR CLARITY.



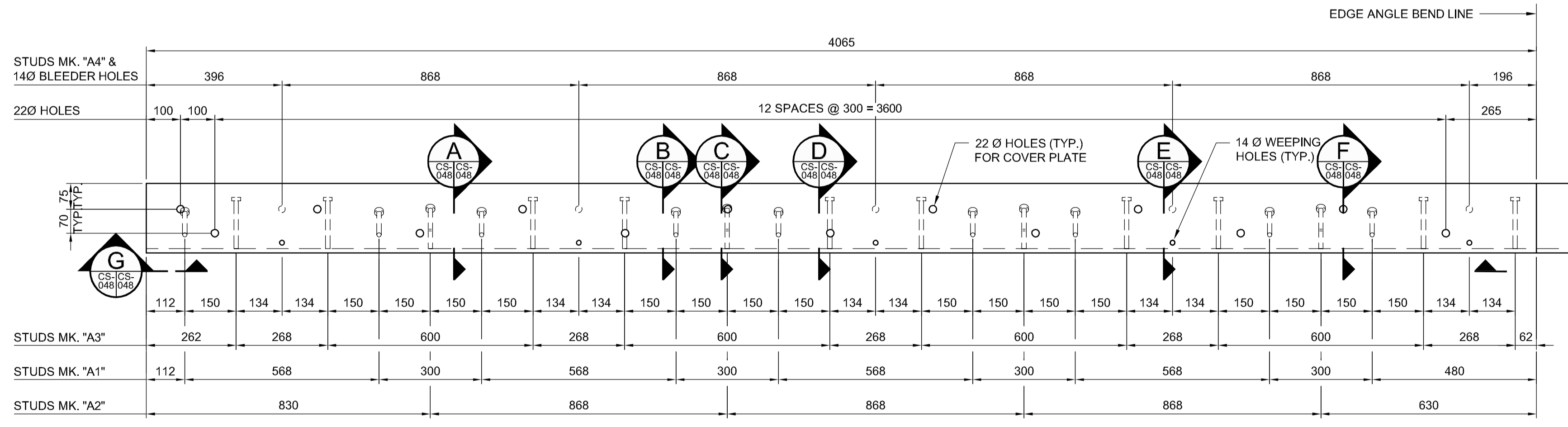
A SECTION
SCALE: 1:5



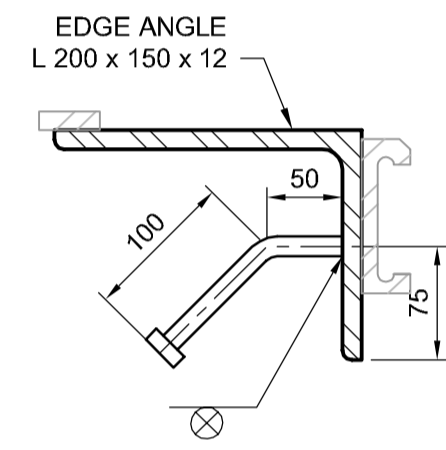
B SECTION
SCALE: 1:5
STUDS MK. 'A1'



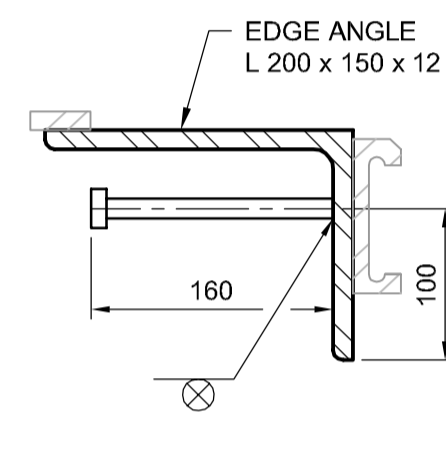
EDGE ANGLE MK. 'E1a' & 'E1b'
SCALE 1:10
EDGE ANGLE MK. 'E1a' SHOWN,
EDGE ANGLE MK. 'E1b' SIMILAR EXCEPT WITHOUT 22Ø HOLES



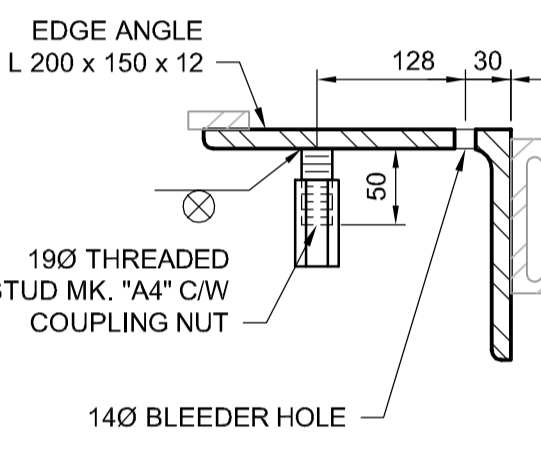
EDGE ANGLE MK. 'E2a' & 'E2b'
SCALE 1:10
EDGE ANGLE MK. 'E2a' SHOWN,
EDGE ANGLE MK. 'E2b' SIMILAR EXCEPT WITHOUT 22Ø HOLES



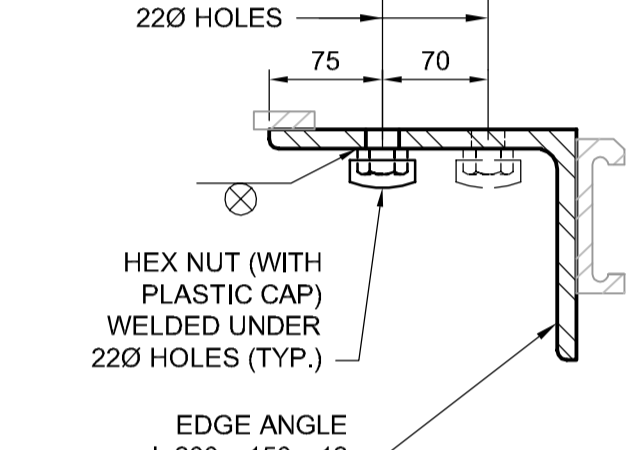
C SECTION
SCALE: 1:5
STUDS MK. 'A2'



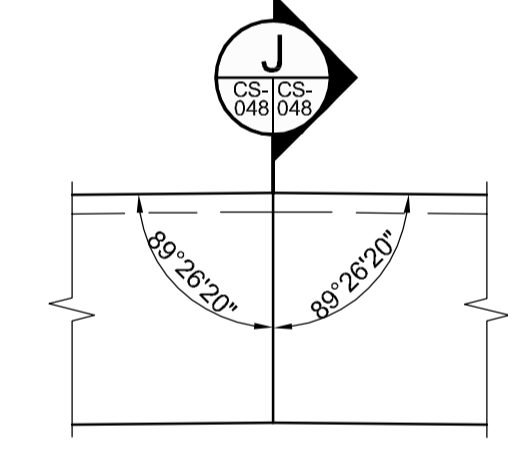
D SECTION
SCALE: 1:5
STUDS MK. 'A3'



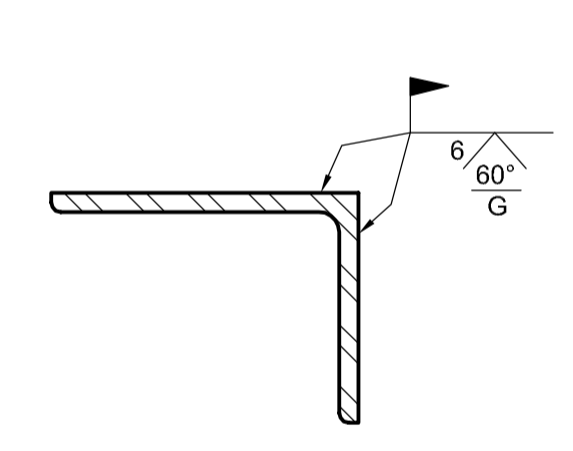
E SECTION
SCALE: 1:5
STUDS MK. 'A4'



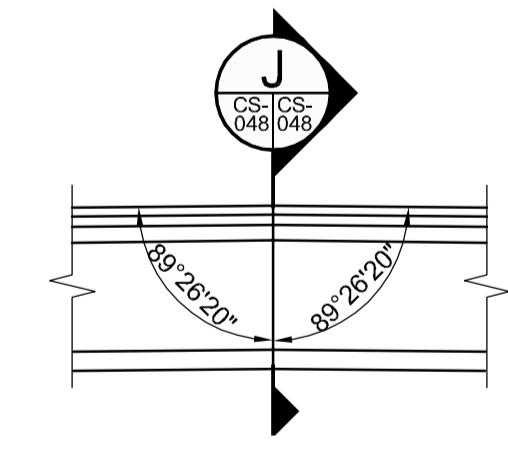
F SECTION
SCALE: 1:5



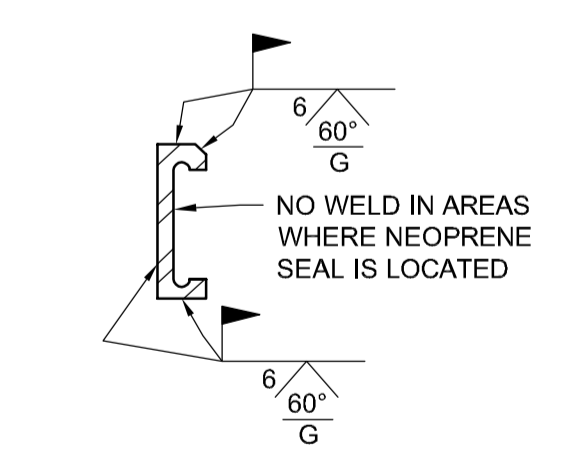
J SECTION
SCALE: 1:5



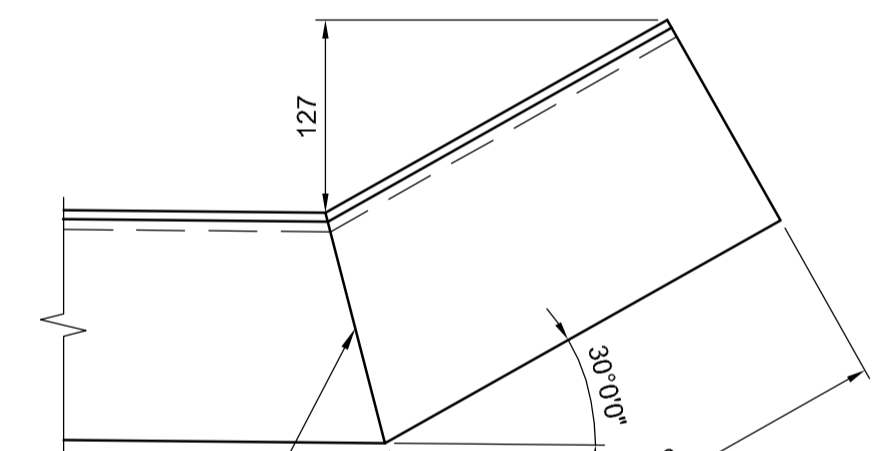
I SECTION
SCALE: 1:5



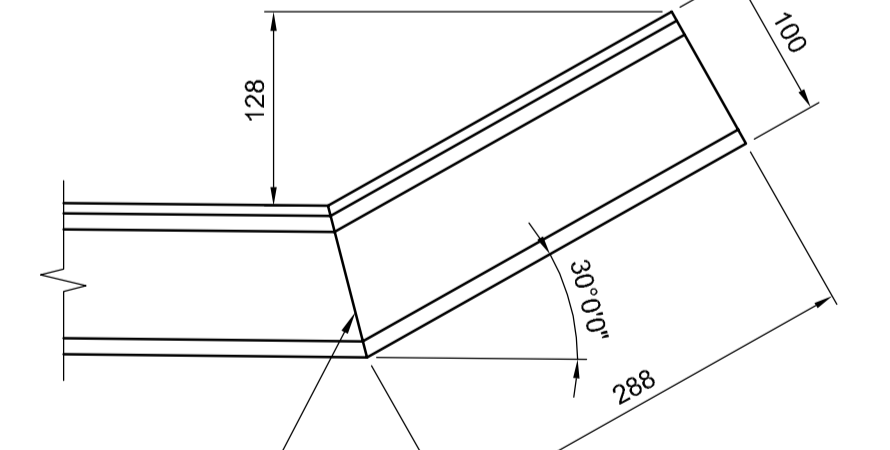
G SECTION
SCALE: 1:5



H SECTION
SCALE: 1:5



K SECTION
SCALE: 1:5



L SECTION
SCALE: 1:5

G:\CAD\163353\Technical Workspace\Engineering\Drawings and Figures\Structures\Contract\163353-C2-CON-CS-DECK SJAB JOINT DETAILS_3.dwg

APEGM
Certificate of Authorization
Dillon Consulting Limited (MB)
No. 1789 Date: 2017/01/09

NO.	REVISIONS	DATE	BY
0	ISSUED FOR TENDER	17/01/09	RE

DESIGNED BY	RE	CHECKED BY	SSR
DRAWN BY	CGC	APPROVED BY	DBW
HOR. SCALE	AS SHOWN	RELEASED FOR CONSTRUCTION	
VERTICAL SCALE	AS SHOWN		

ENGINEER'S SEAL
PROVINCE OF MANITOBA
R.B. ERIC
Member 22665
REGISTERED PROFESSIONAL ENGINEER
CONSULTANT PROJECT NUMBER
16-3353

THE CITY OF WINNIPEG
PUBLIC WORKS DEPARTMENT
Waverley Street Underpass at CN Mile 3.89 Rivers Sub
Contract 2: Underpass Structure, Railworks,
Roadworks, Land Drainage Sewer, Pumping Station
and Landscaping Works
EXPANSION JOINT DETAILS -
SHEET 3
CITY DRAWING NUMBER
U-239-2016-C2-CS-048
SHEET 048 OF 085
CONSULTANT DRAWING NUMBER
C2-CS-048