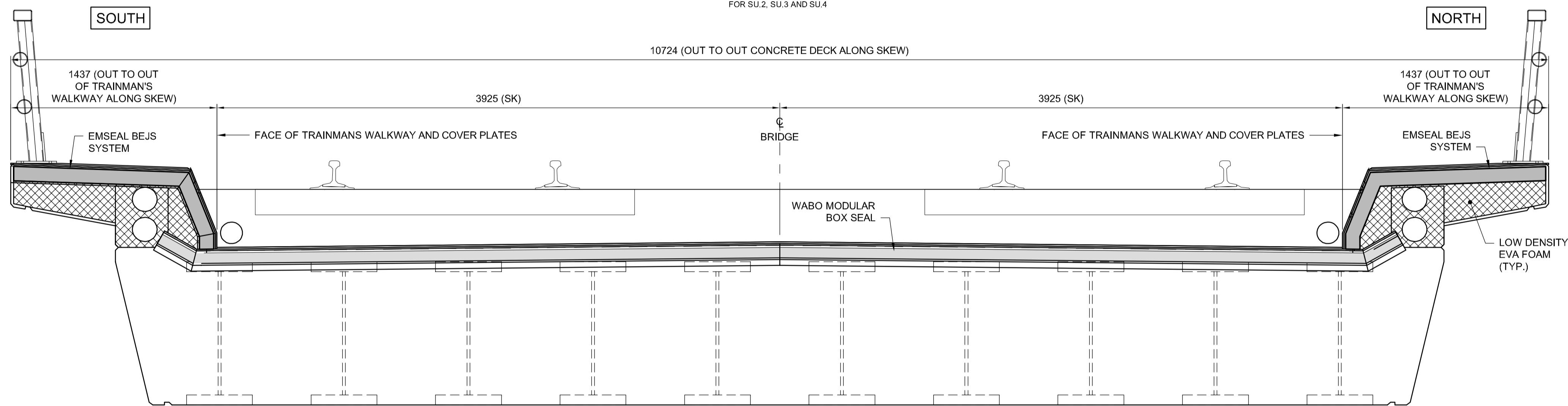
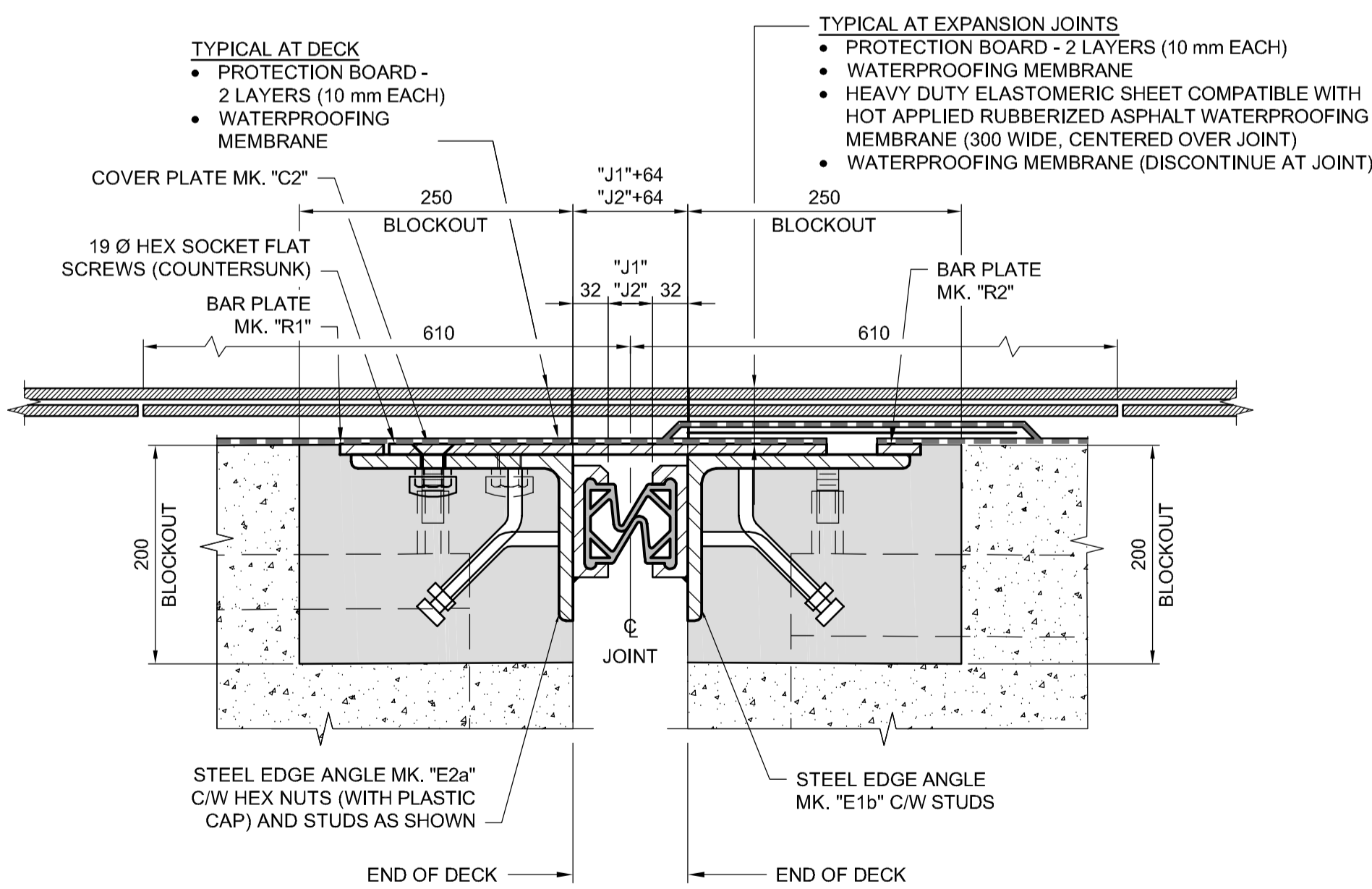


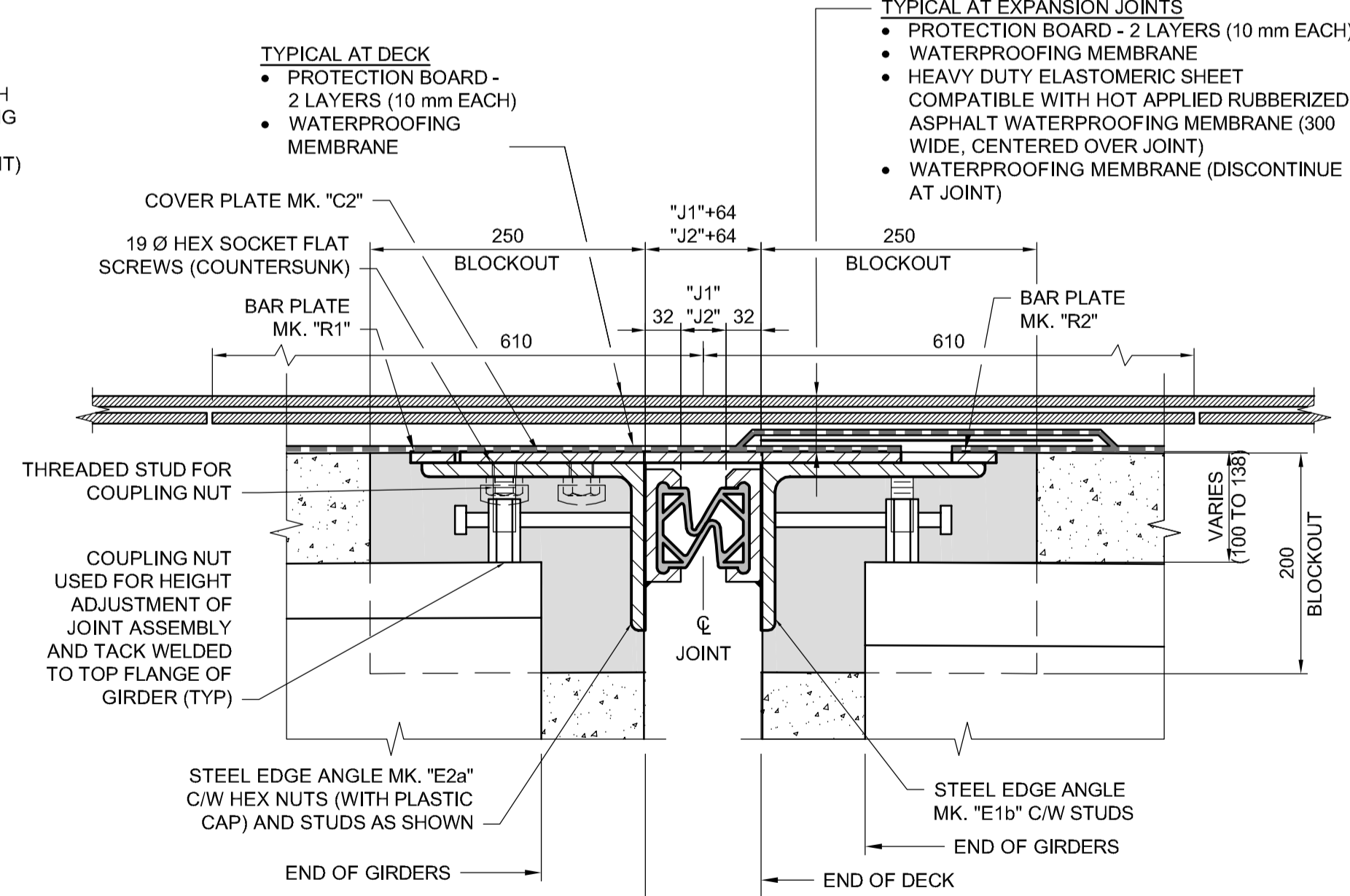
PLAN
SCALE 1:15
FOR SU.2, SU.3 AND SU.4



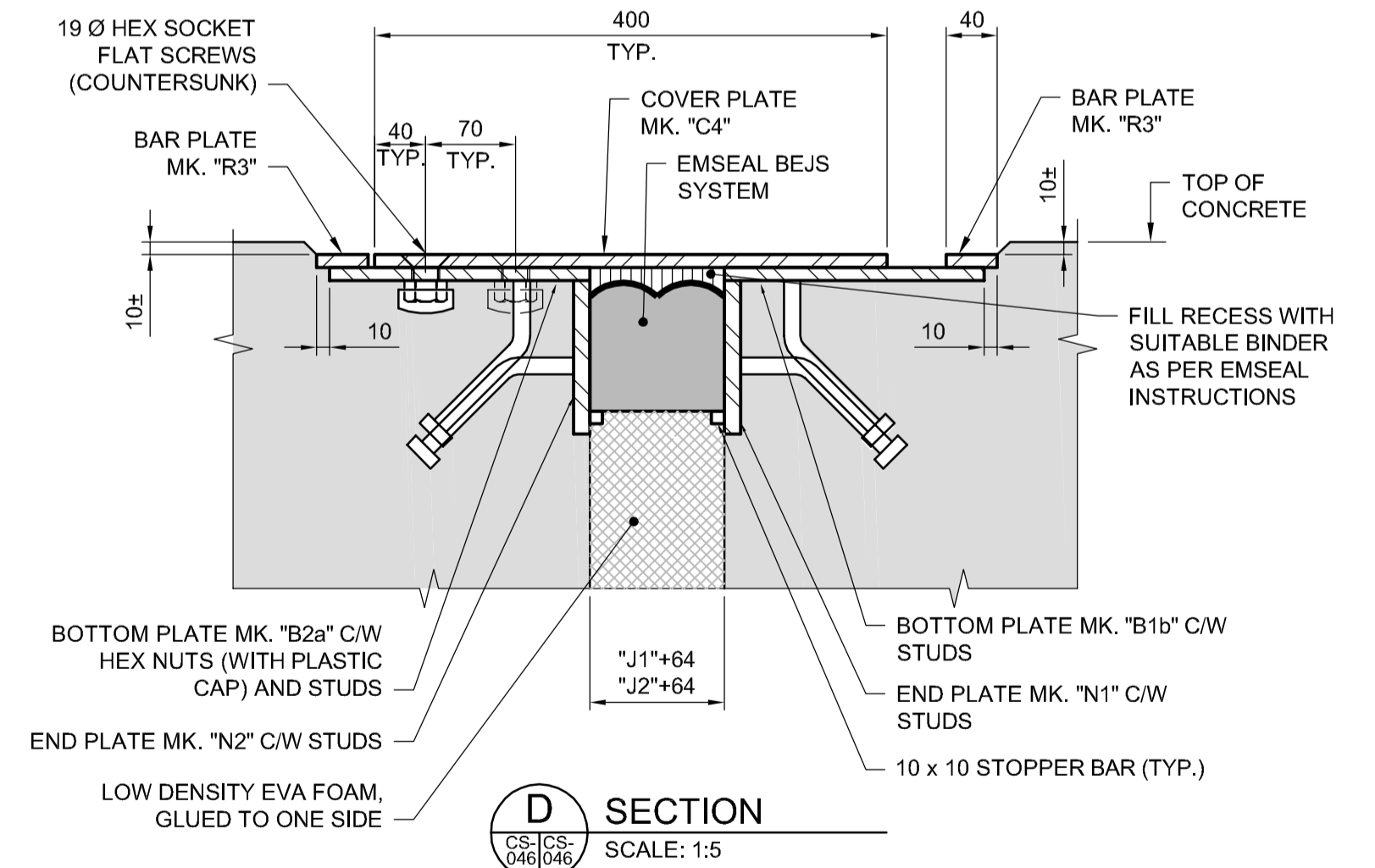
A SECTION
SCALE: 1:20



B SECTION
SCALE: 1:5
FOR SU.2, SU.3 AND SU.4
BETWEEN GIRDERS



C SECTION
SCALE: 1:5
FOR SU.2, SU.3 AND SU.4
AT GIRDERS



D SECTION
SCALE: 1:5
FOR SU.2, SU.3 AND SU.4
AT TRAINMAN'S WALKWAY

G:\CAD\163353\Technical\Workspace\Engineering\Drawings and Figures\Structures\Contract\163353-C2-CON-CS-DECK-SLAB-JOINT-DETAILS.dwg



DESIGNED BY	RE	CHECKED BY	SSR
DRAWN BY	CGC	APPROVED BY	DBW
HOR. SCALE	AS SHOWN	RELEASED FOR CONSTRUCTION	
VERTICAL SCALE	AS SHOWN		
NO.	REVISIONS	DATE	BY
0	ISSUED FOR TENDER	17/01/09	RE

DILLON CONSULTING	
ENGINEER'S SEAL	PROVINCE OF MANITOBA
R.B. ERIC Member 22665 REGISTERED PROFESSIONAL ENGINEER	
CONSULTANT PROJECT NUMBER	16-3353

THE CITY OF WINNIPEG PUBLIC WORKS DEPARTMENT	
Waverley Street Underpass at CN Mile 3.89 Rivers Sub Contract 2: Underpass Structure, Rail Works, Roadworks, Land Drainage Sewer, Pumping Station and Landscaping Works	
CITY DRAWING NUMBER	U-239-2016-C2-CS-046
SHEET	046 OF 085
EXPANSION JOINT DETAILS - SHEET 1	
CONSULTANT DRAWING NUMBER C2-CS-046	