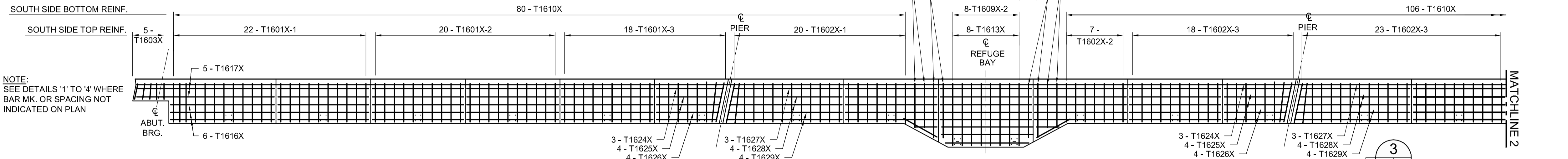
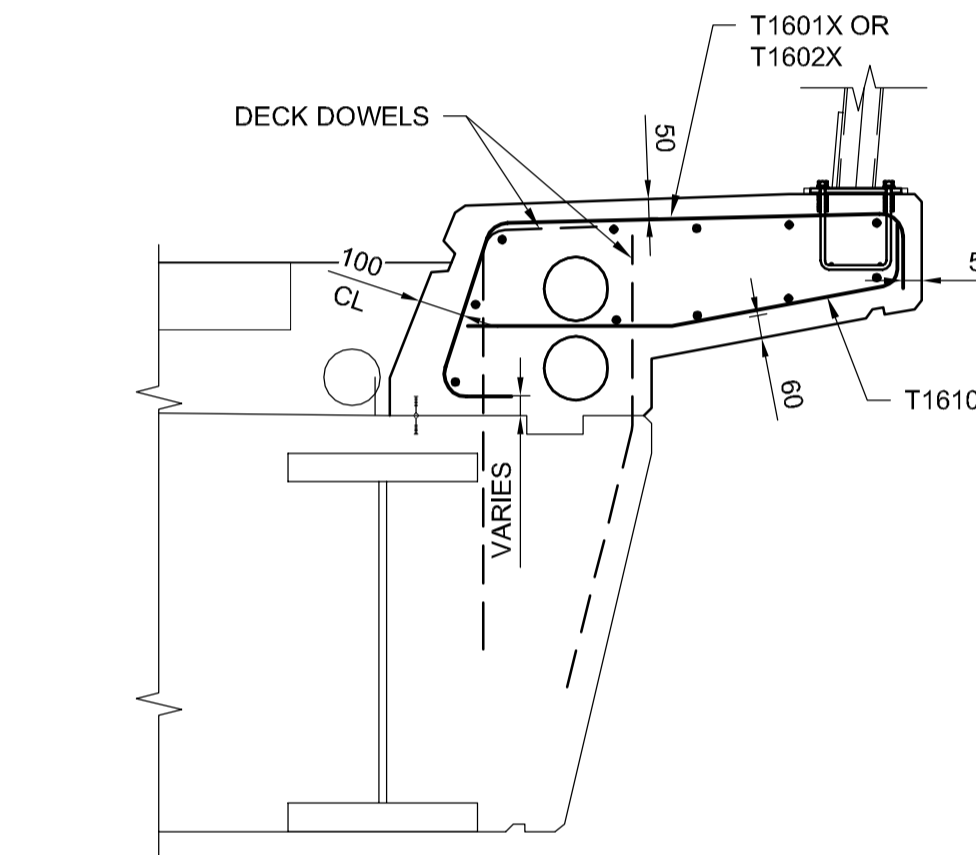


- NOTES:**
- FOR REINFORCING STEEL NOTES REFER TO SHEET C2-CS-001.
  - FOR CONCRETE NOTES AND CONCRETE CLEAR COVER TO REINFORCEMENT REFER TO SHEET C2-CS-001.
  - REINFORCING STEEL WITH MARKS ENDING WITH "X" SHALL BE MICRO COMPOSITE REINFORCING STEEL CHROMX 9000 (MMFX2).

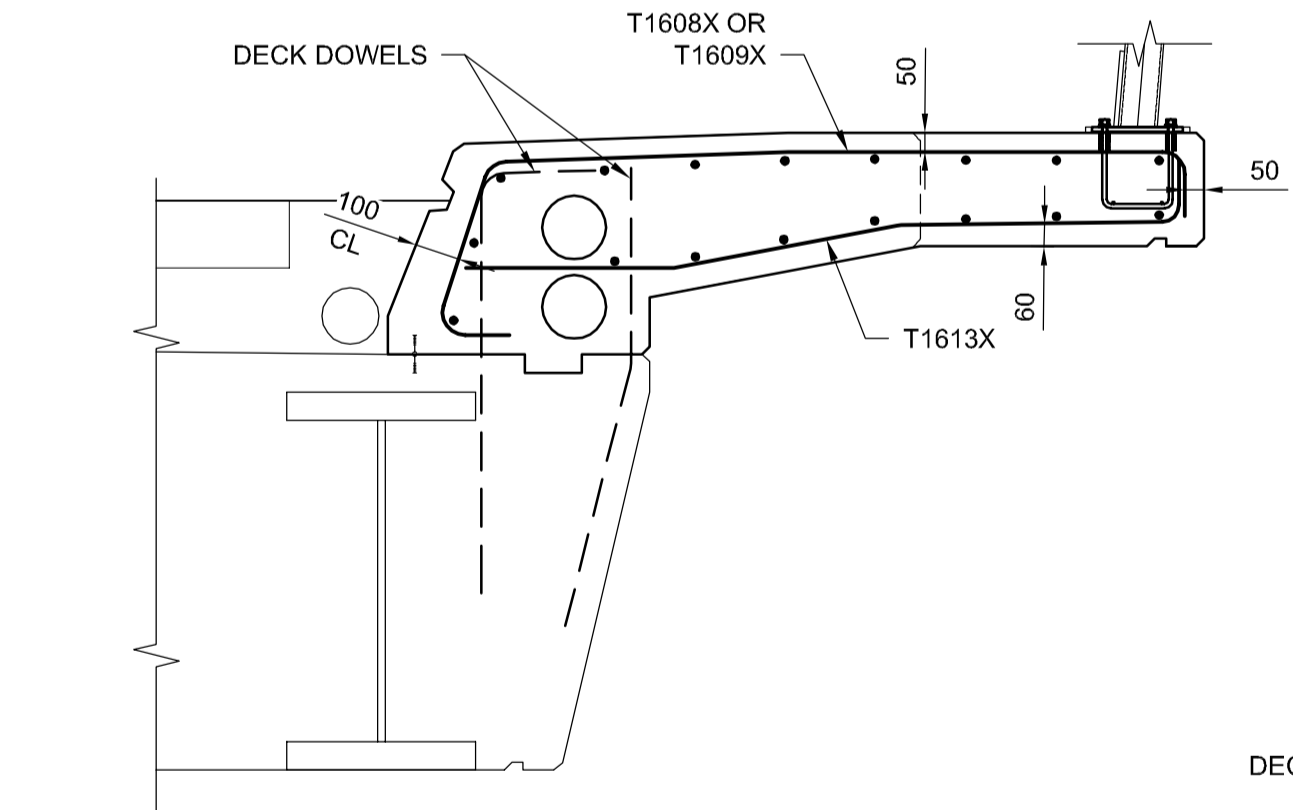


NOTE:  
SEE DETAILS '1' TO '4' WHERE  
BAR MK. OR SPACING NOT  
INDICATED ON PLAN

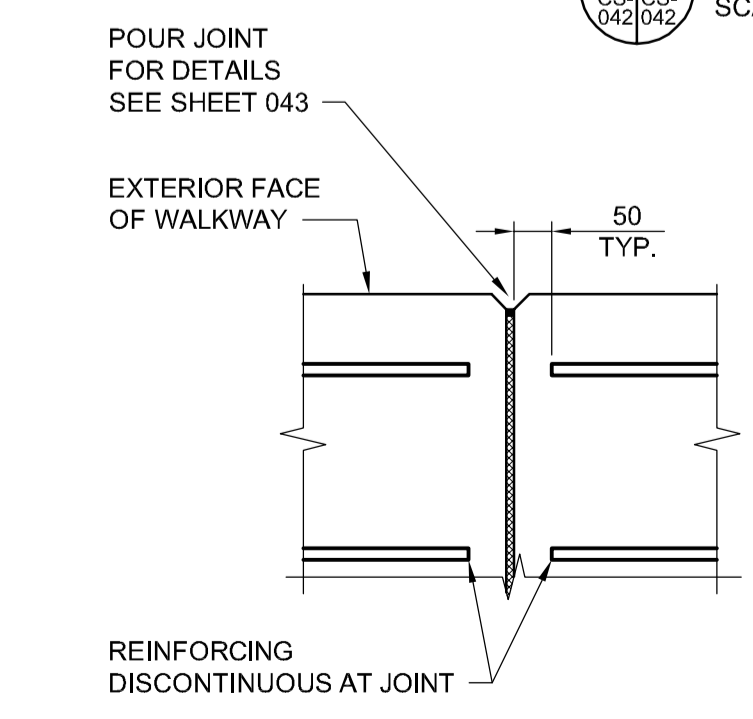
**REINFORCING PLAN**  
SCALE 1:75



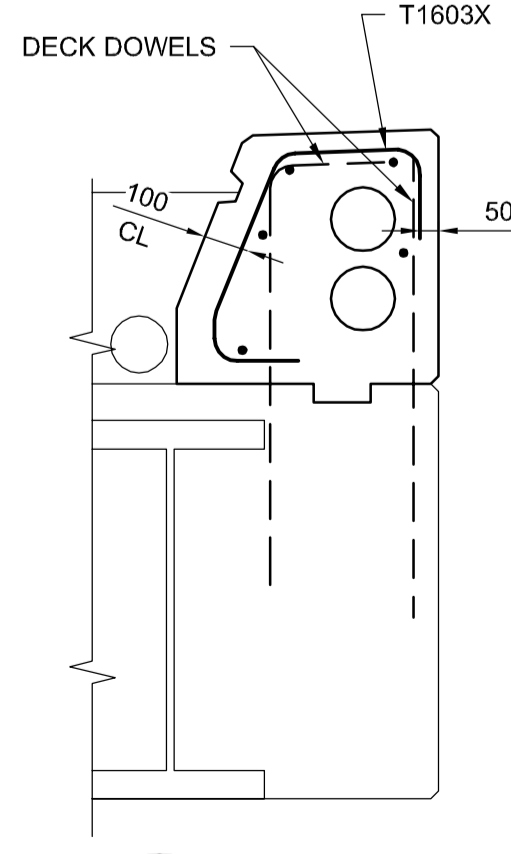
**A SECTION**  
SCALE: 1:20



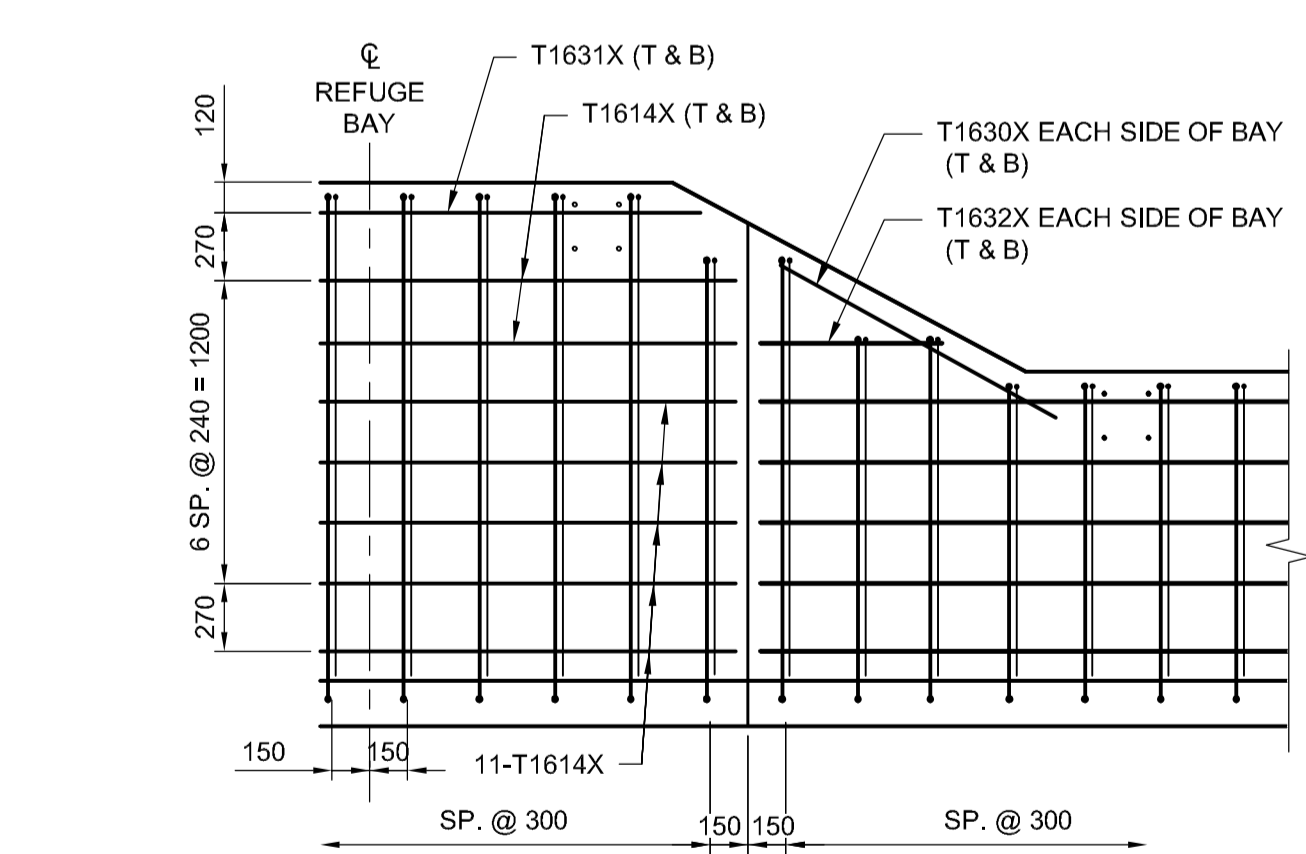
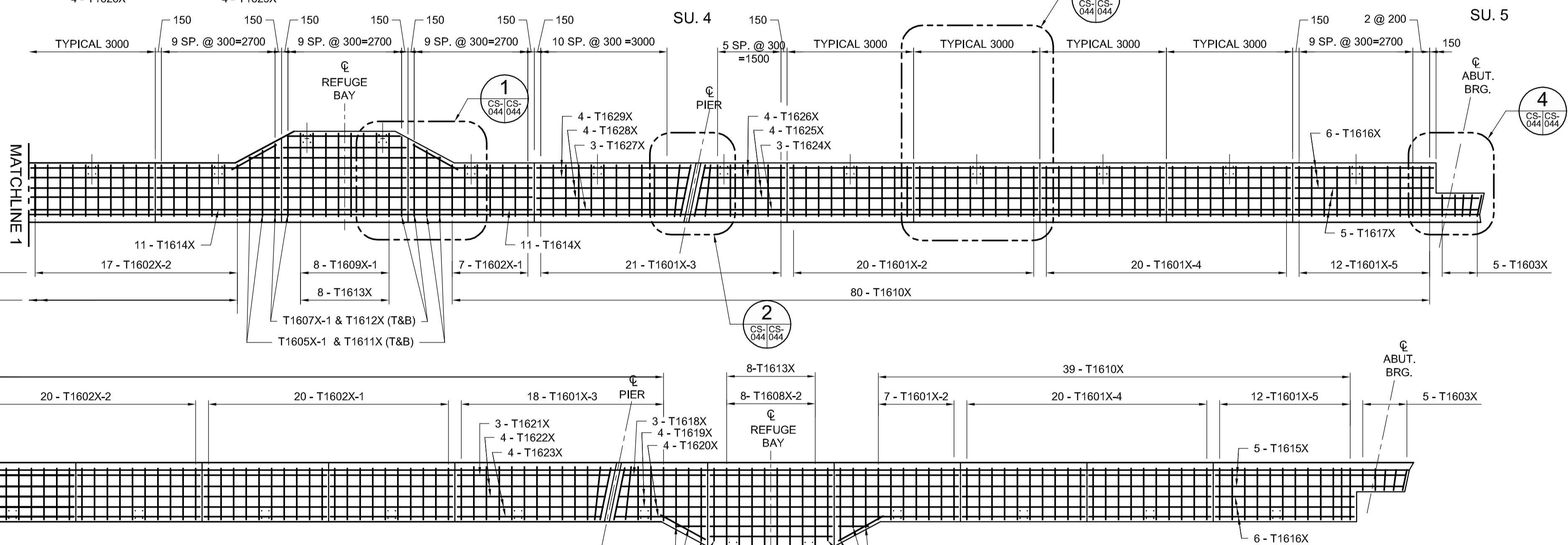
**B SECTION**  
SCALE: 1:20



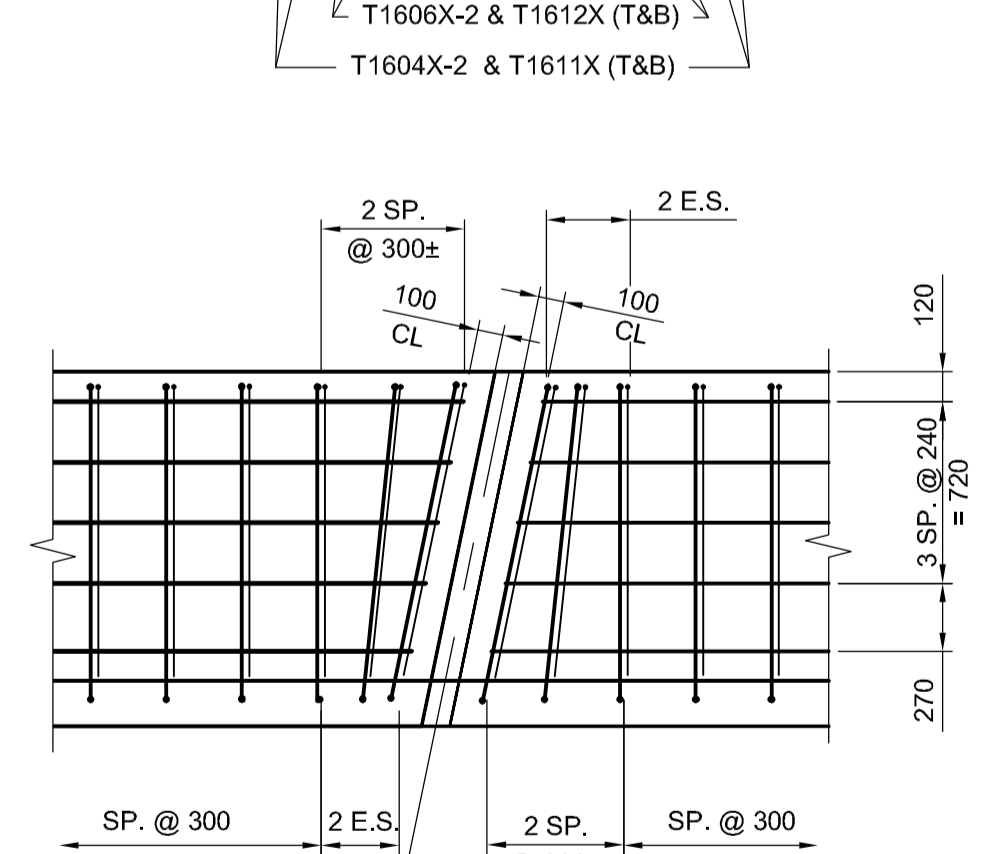
**WALKWAY JOINT DETAIL**  
SCALE 1:10



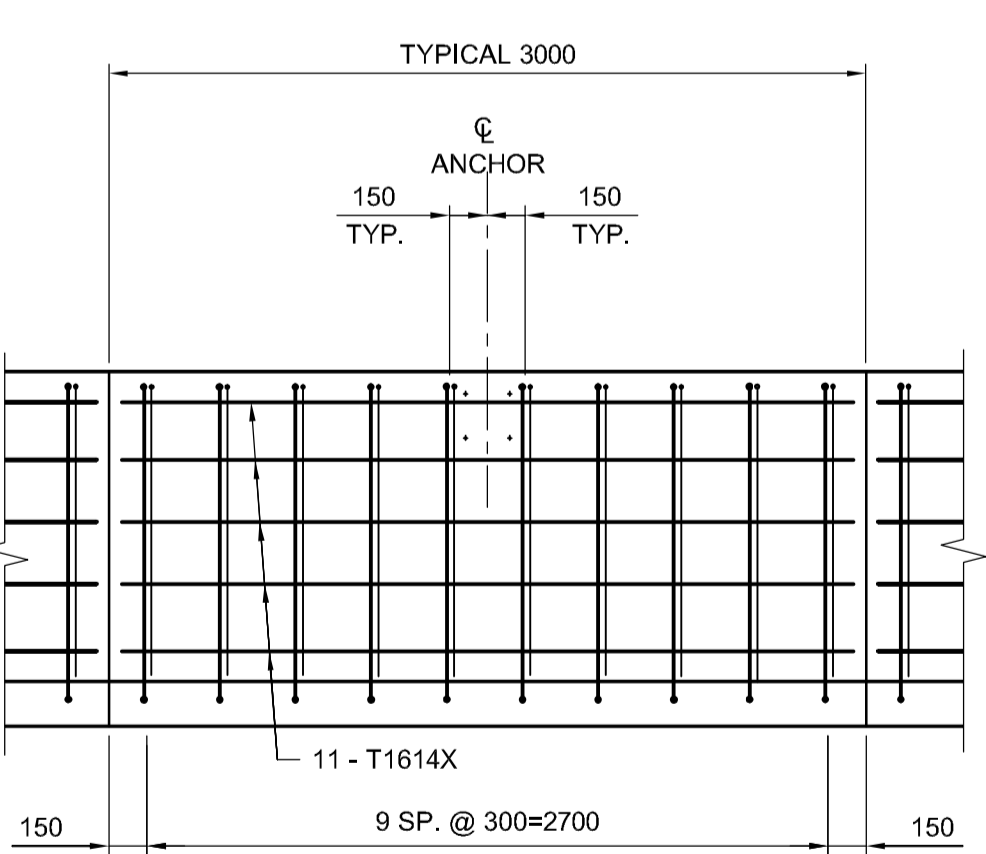
**C SECTION**  
SCALE: 1:20



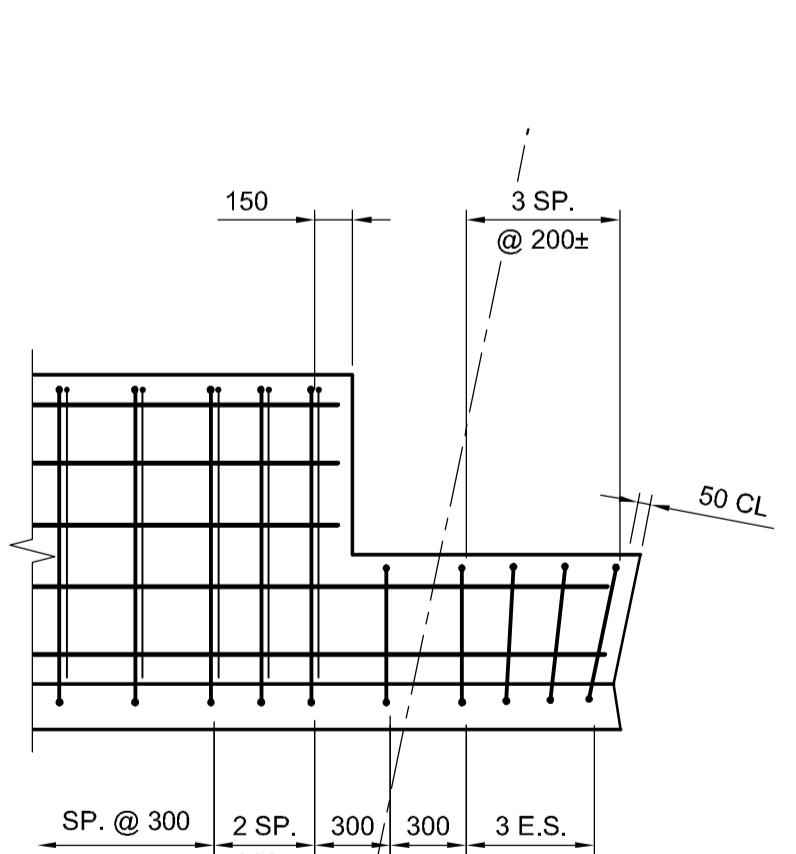
**1 DETAIL**  
SCALE: 1:30  
TYPICAL EACH SIDE OF REFUGE BAY



**2 DETAIL**  
SCALE: 1:30  
TYPICAL AT EACH EXPANSION JOINT



**3 DETAIL**  
SCALE: 1:30  
TYPICAL EACH 3000 PANEL



**4 DETAIL**  
SCALE: 1:30  
TYPICAL EACH END

G:\CAD\163353\Technical\Workspace\Engineering\Drawings and Figures\Structures\Contract\163353-C2-CON-CS-TRAINMAN WALKWAY REINF.dwg

**APEGM**  
Certificate of Authorization  
Dillon Consulting Limited (MB)  
No. 1789 Date: 2017/01/09

DESIGNED BY	RE	CHECKED BY	SSR
DRAWN BY	DB	APPROVED BY	DBW
HOR. SCALE	AS SHOWN	RELEASED FOR CONSTRUCTION	
VERTICAL SCALE	AS SHOWN		
NO. REVISIONS	DATE	BY	DATE
0	ISSUED FOR TENDER 17/01/09	RE	

**DILLON CONSULTING**

ENGINEER'S SEAL  
PROVINCE OF MANITOBA  
**R.B. ERIC**  
Member 22665  
REGISTERED PROFESSIONAL ENGINEER

CONSULTANT PROJECT NUMBER  
**16-3353**

**THE CITY OF WINNIPEG**  
PUBLIC WORKS DEPARTMENT

**Winnipeg**

WAVERLEY STREET UNDERPASS AT CN MILE 3.89 RIVERS SUB  
CONTRACT 2: UNDERPASS STRUCTURE, RAILWORKS,  
ROADWORKS, LAND DRAINAGE SEWER, PUMPING STATION  
AND LANDSCAPING WORKS

CITY DRAWING NUMBER  
U-239-2016-C2-CS-044  
SHEET **044** OF **085**  
CONSULTANT DRAWING NUMBER  
**C2-CS-044**

TRAINMAN'S WALKWAY  
REINFORCING DETAILS