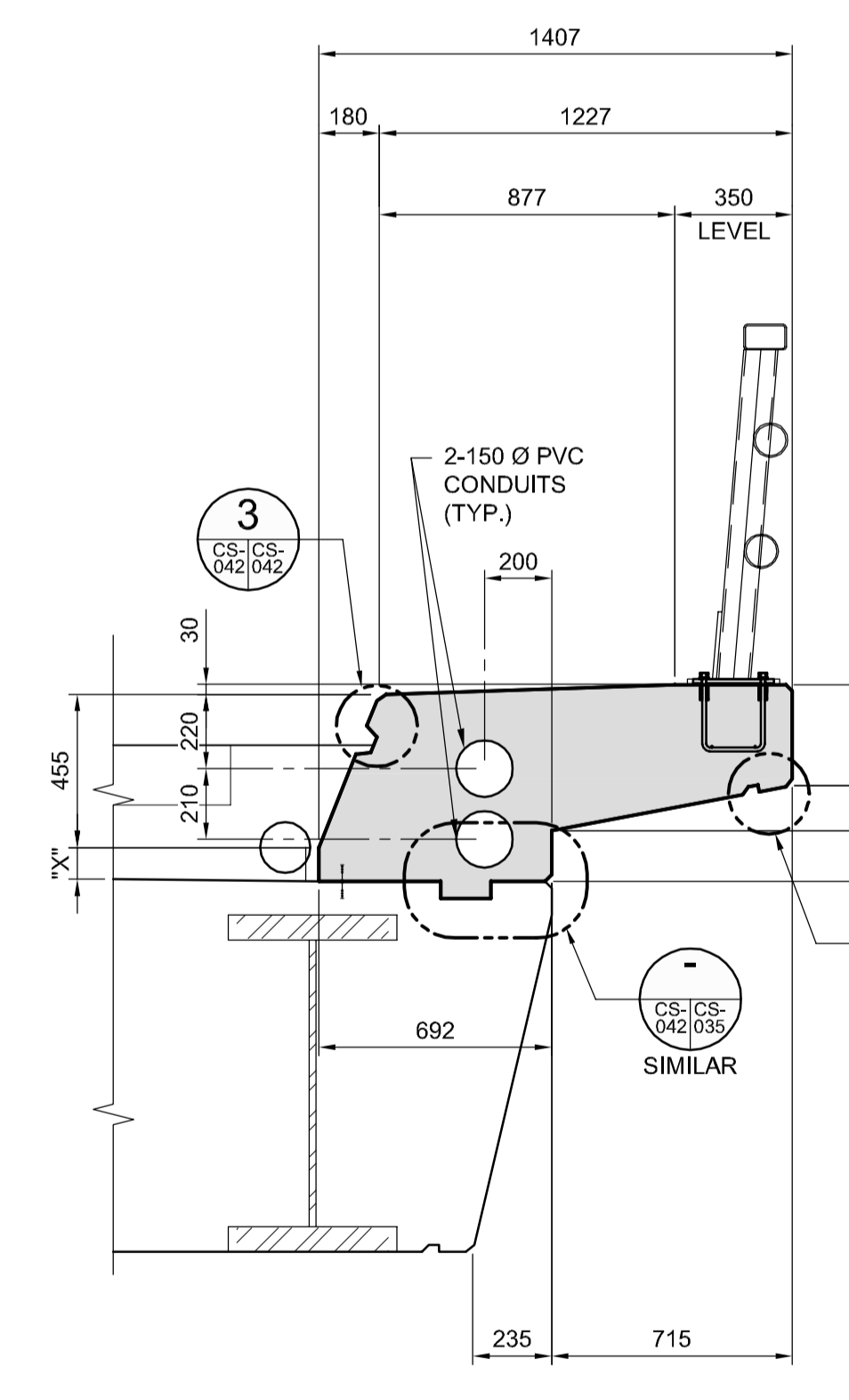
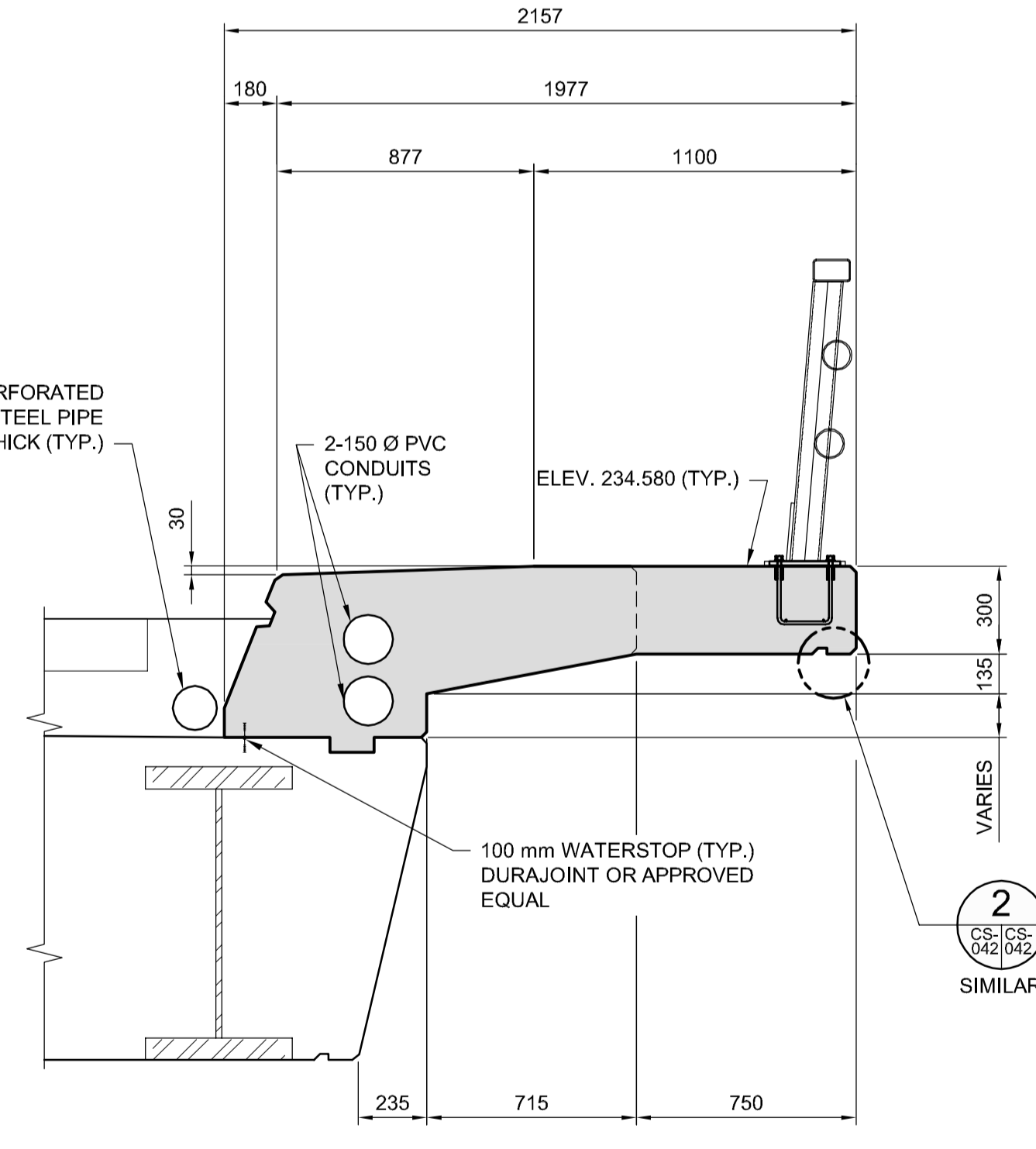


WALKWAY - PLAN
SCALE 1:125



A SECTION
SCALE: 1:20

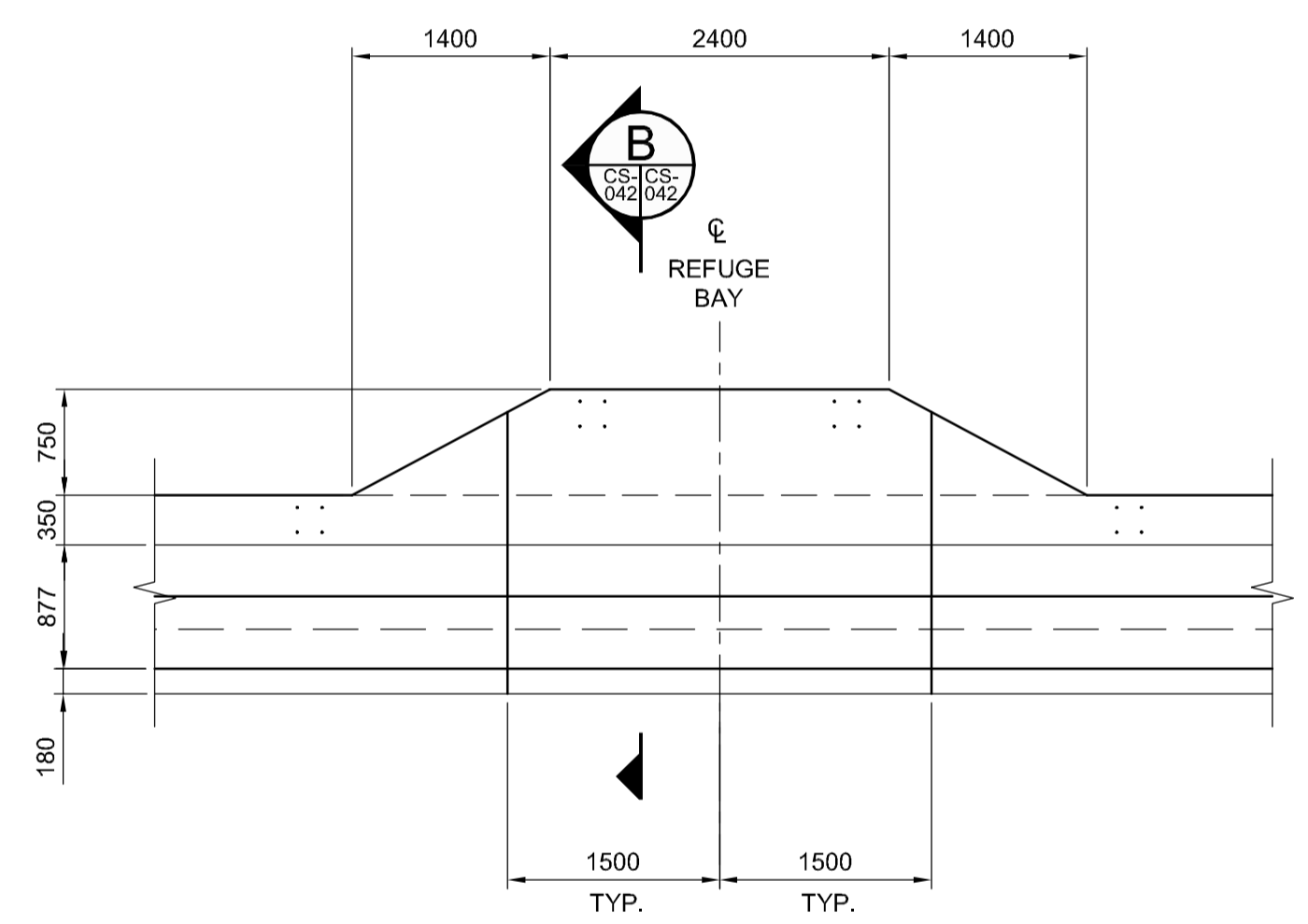


B SECTION
SCALE: 1:20

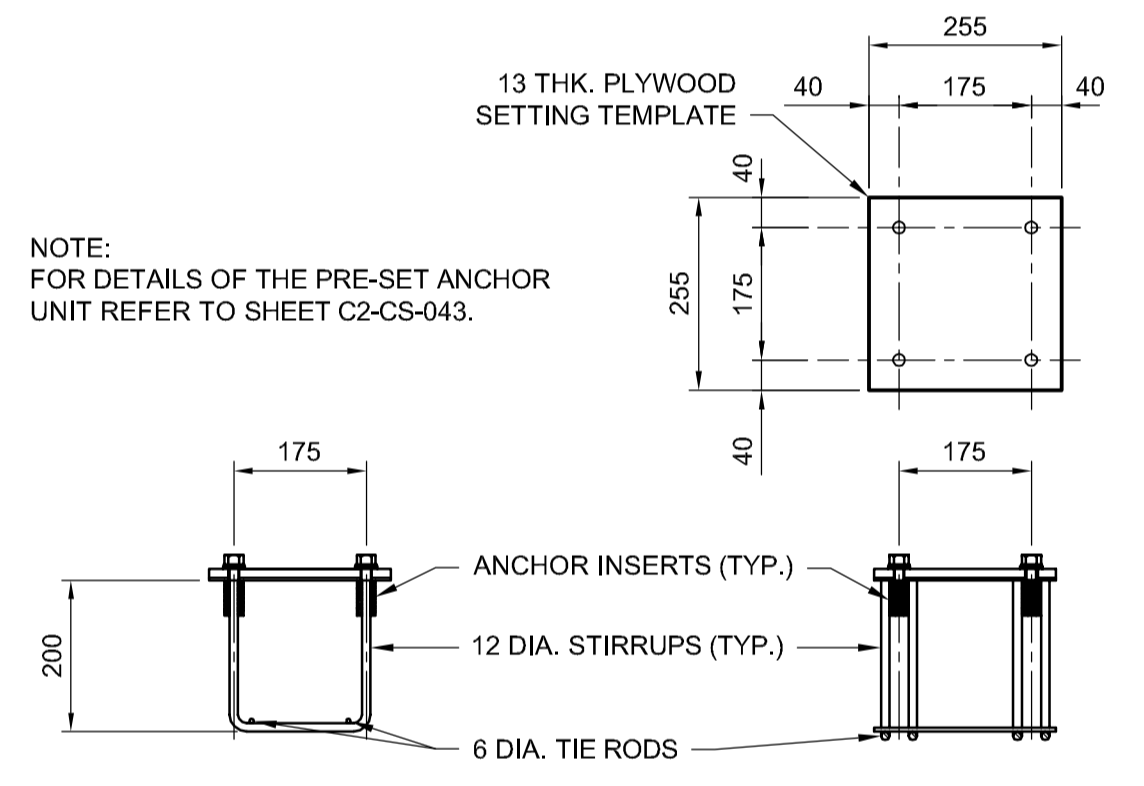
LOCATION	X	Y
SU. 1	280	330
SU. 2	190	240
SU. 3	100	150
SU. 4	212	262
SU. 5	302	352

- NOTES:**
- FOR GENERAL NOTES SEE SHEET C2-CS-001.
 - FOR CONCRETE NOTES SEE SHEET C2-CS-001.
 - ALL EXPOSED EDGES TO BE CHAMFERED 20 mm UNLESS NOTED OTHERWISE.
 - CONCRETE FINISHES SHALL BE AS PER SPECIFICATION.

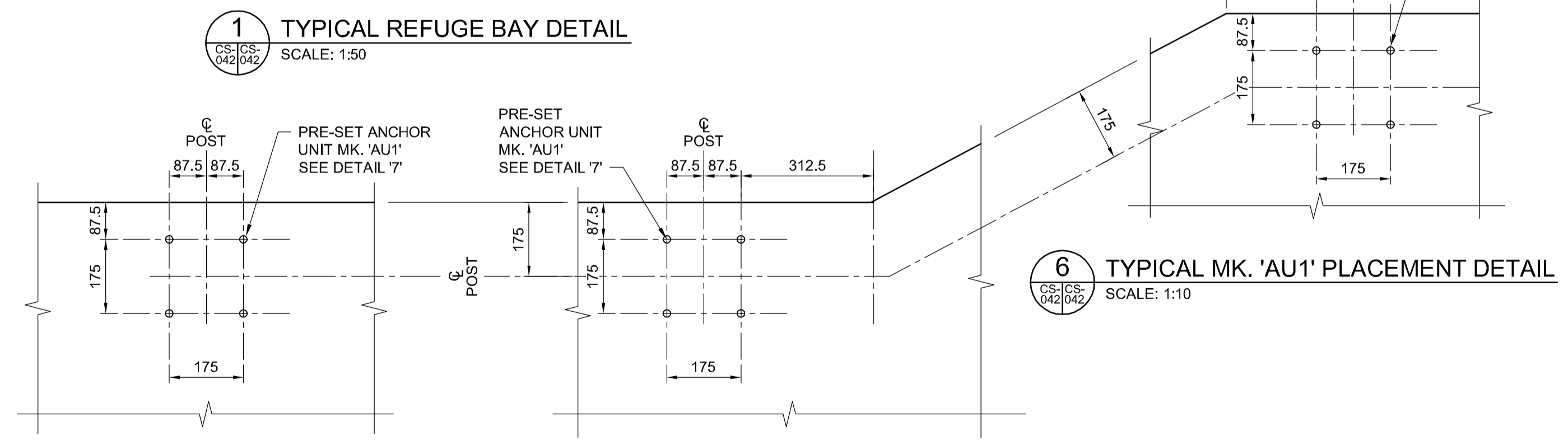
APEGM
Certificate of Authorization
Dillon Consulting Limited (MB)
No. 1789 Date: 2017/01/09



1 TYPICAL REFUGE BAY DETAIL
SCALE: 1:50



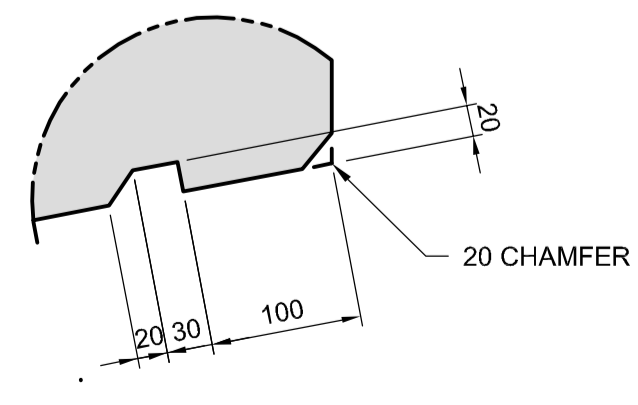
7 PRE-SET ANCHOR UNIT - MK. 'AU1'
SCALE: 1:10



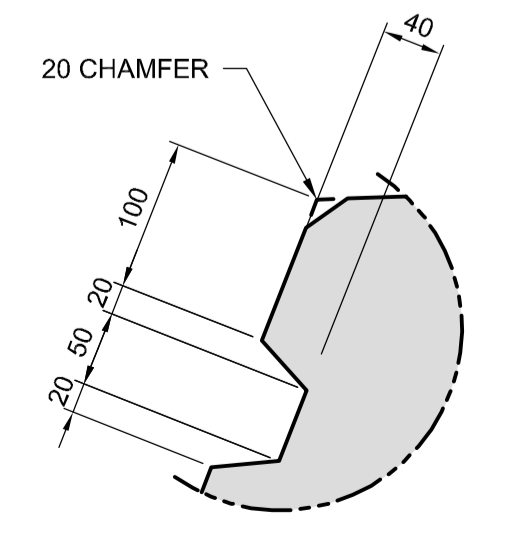
4 TYPICAL MK. 'AU1' PLACEMENT DETAIL
SCALE: 1:10

5 TYPICAL MK. 'AU1' PLACEMENT DETAIL
SCALE: 1:10

6 TYPICAL MK. 'AU1' PLACEMENT DETAIL
SCALE: 1:10



2 DRIP GROOVE DETAIL
SCALE: 1:5



3 MEMBRANE ANCHORING RIGLET - CONTINUOUS
SCALE: 1:5

<p>DILLON CONSULTING</p> <p>DESIGNED BY RE CHECKED BY SSR</p> <p>DRAWN BY NBG APPROVED BY DBW</p> <p>HOR. SCALE AS SHOWN RELEASED FOR CONSTRUCTION</p> <p>VERTICAL AS SHOWN</p>		<p>ENGINEER'S SEAL</p> <p>PROVINCE OF MANITOBA</p> <p>R.B. ERIC</p> <p>Member 22665</p> <p>REGISTERED PROFESSIONAL ENGINEER</p>	<p>THE CITY OF WINNIPEG</p> <p>PUBLIC WORKS DEPARTMENT</p>	
			<p>WAVERLEY STREET UNDERPASS AT CN MILE 3.89 RIVERS SUB</p> <p>CONTRACT 2: UNDERPASS STRUCTURE, RAILWORKS, ROADWORKS, LAND DRAINAGE SEWER, PUMPING STATION AND LANDSCAPING WORKS</p>	
<p>0 ISSUED FOR TENDER 17/01/09 RE</p>		<p>CONSULTANT PROJECT NUMBER</p> <p>16-3353</p>		<p>CITY DRAWING NUMBER</p> <p>U-239-2016-C2-CS-042</p>
<p>NO. REVISIONS DATE BY DATE</p>		<p>TRAINMAN'S WALKWAY LAYOUT</p>		<p>SHEET OF</p> <p>042 OF 085</p>
				<p>CONSULTANT DRAWING NUMBER</p> <p>C2-CS-042</p>

G:\CAD\163353\Technical\Works\Space\Engineering\Drawings and Figures\Structures\Contract\163353-C2-CON-CS-TRAINMAN WALKWAY LAYOUT.dwg