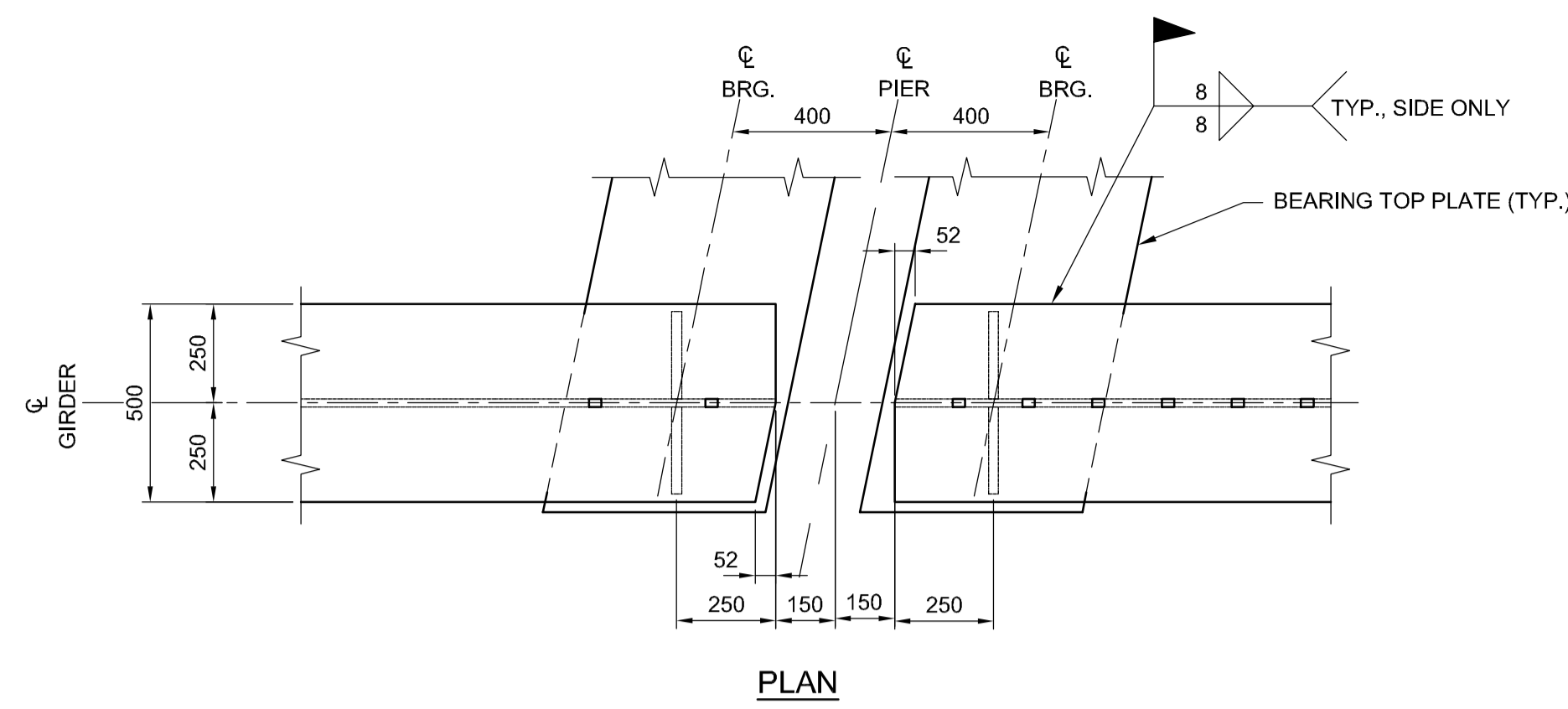
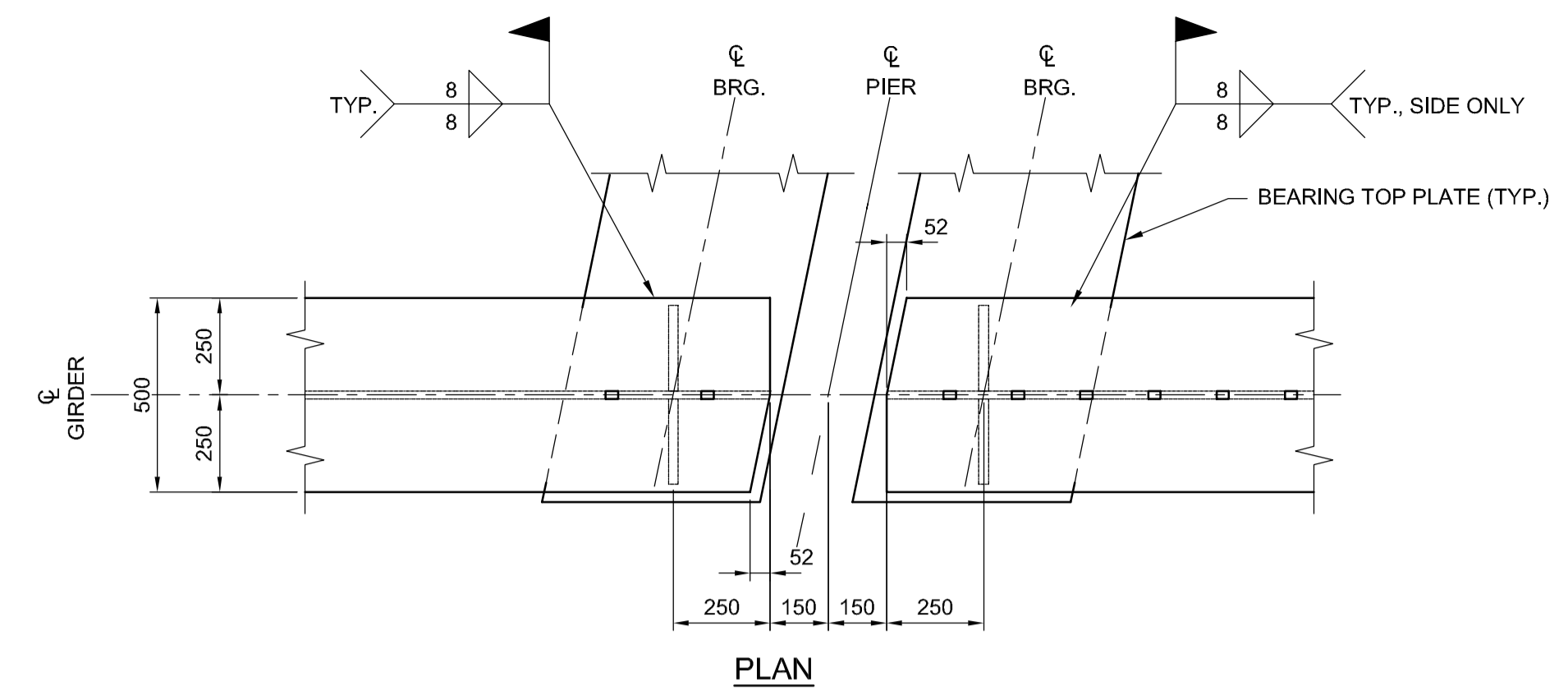


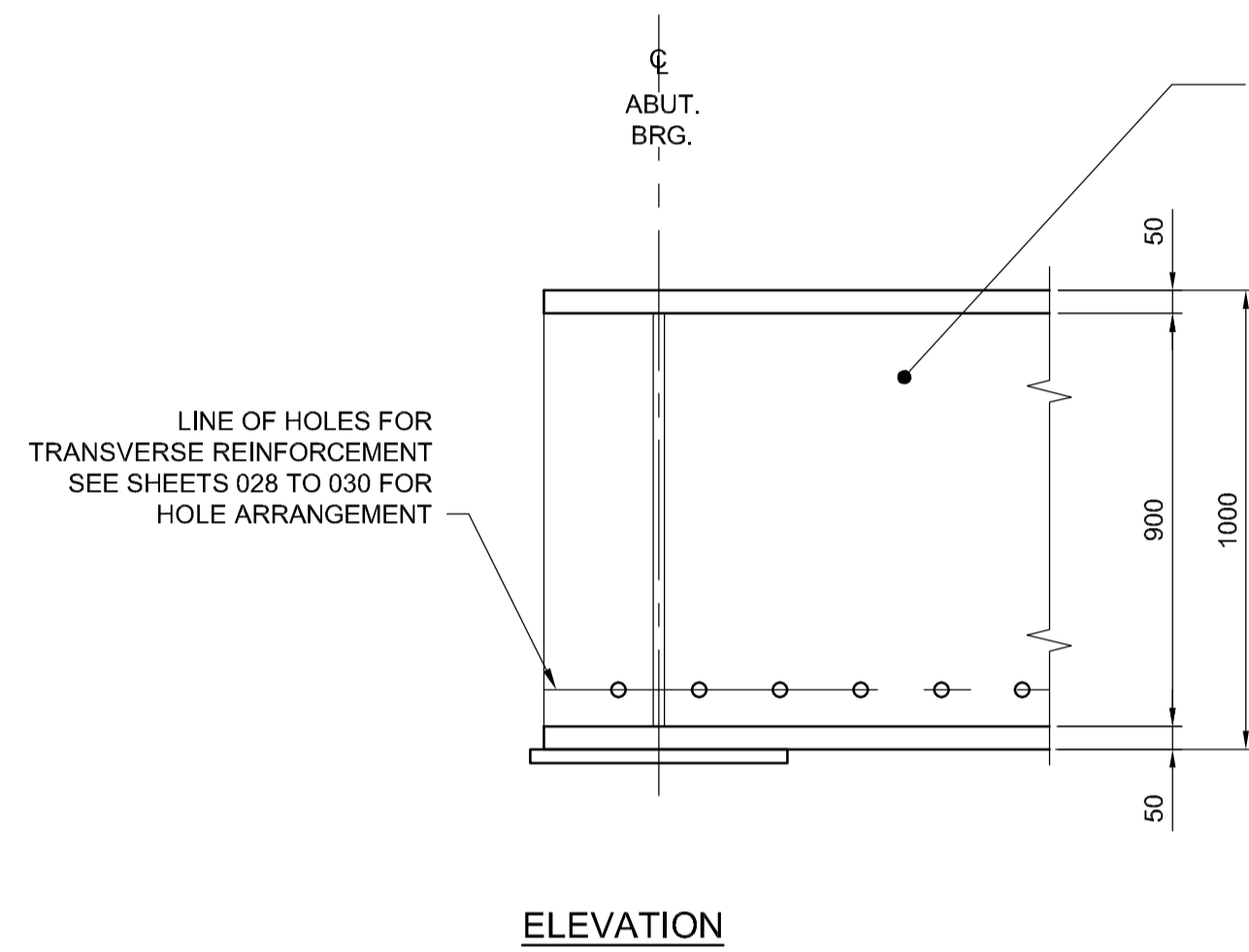
PLAN



PLAN



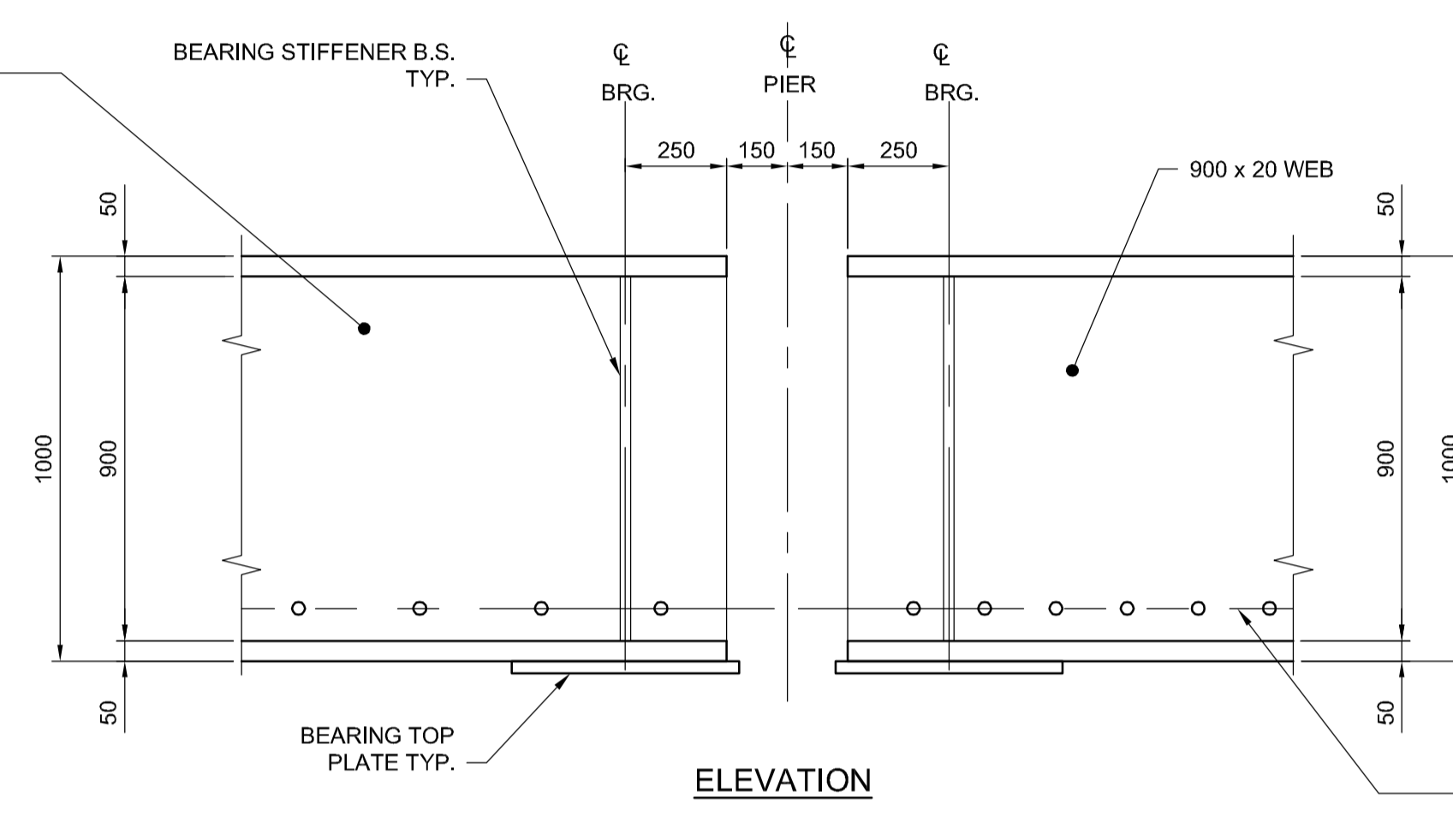
PLAN



ELEVATION

GIRDER END DETAIL AT ABUTMENT LOCATION (SU.1 & SU.5)

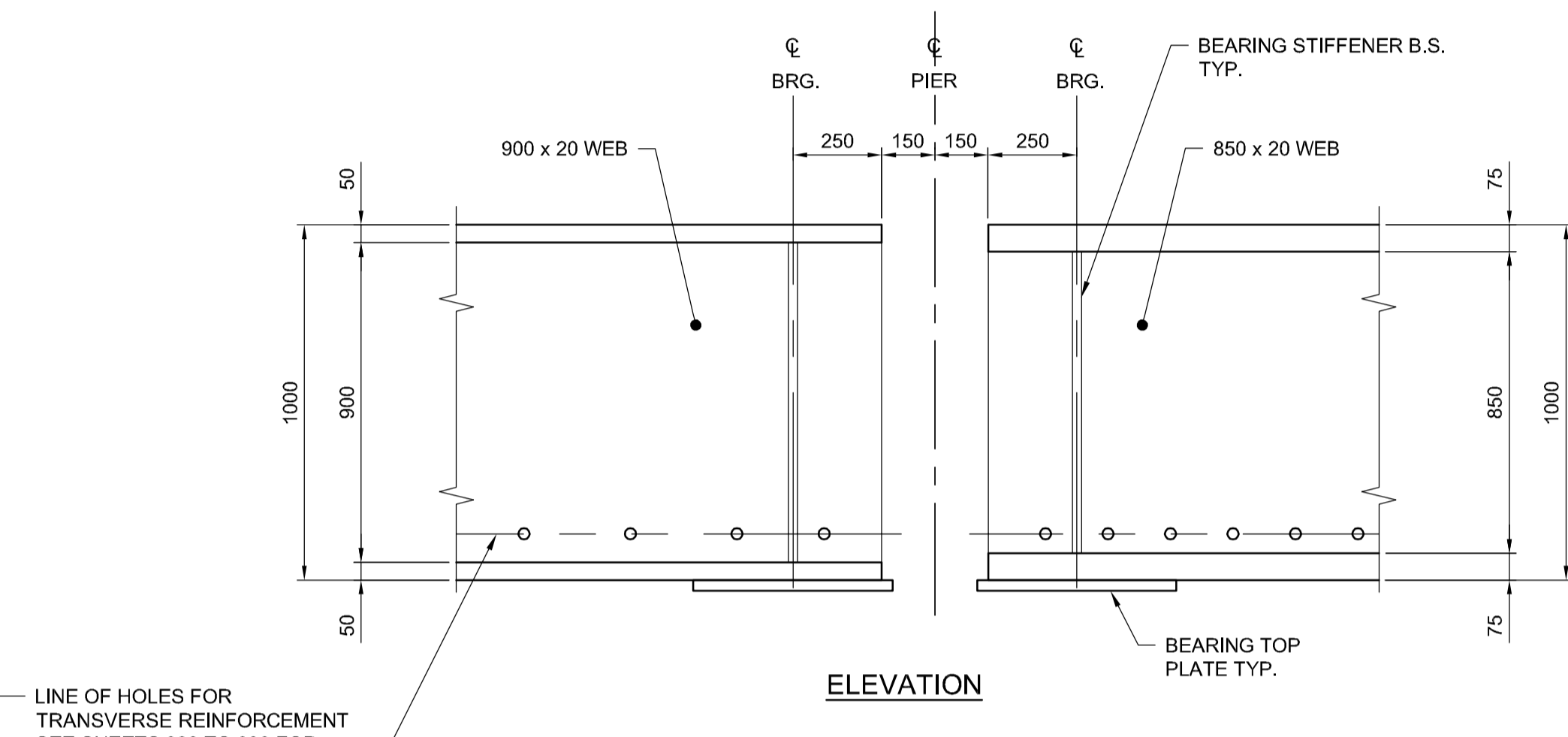
SCALE 1:15
SHOWN IS SU.1
SU.5 IS SIMILAR BUT OPPOSITE HAND
GIRDER LINE 10 IS SHOWN



ELEVATION

GIRDER END DETAIL AT PIER LOCATION (SU.2)

SCALE 1:15



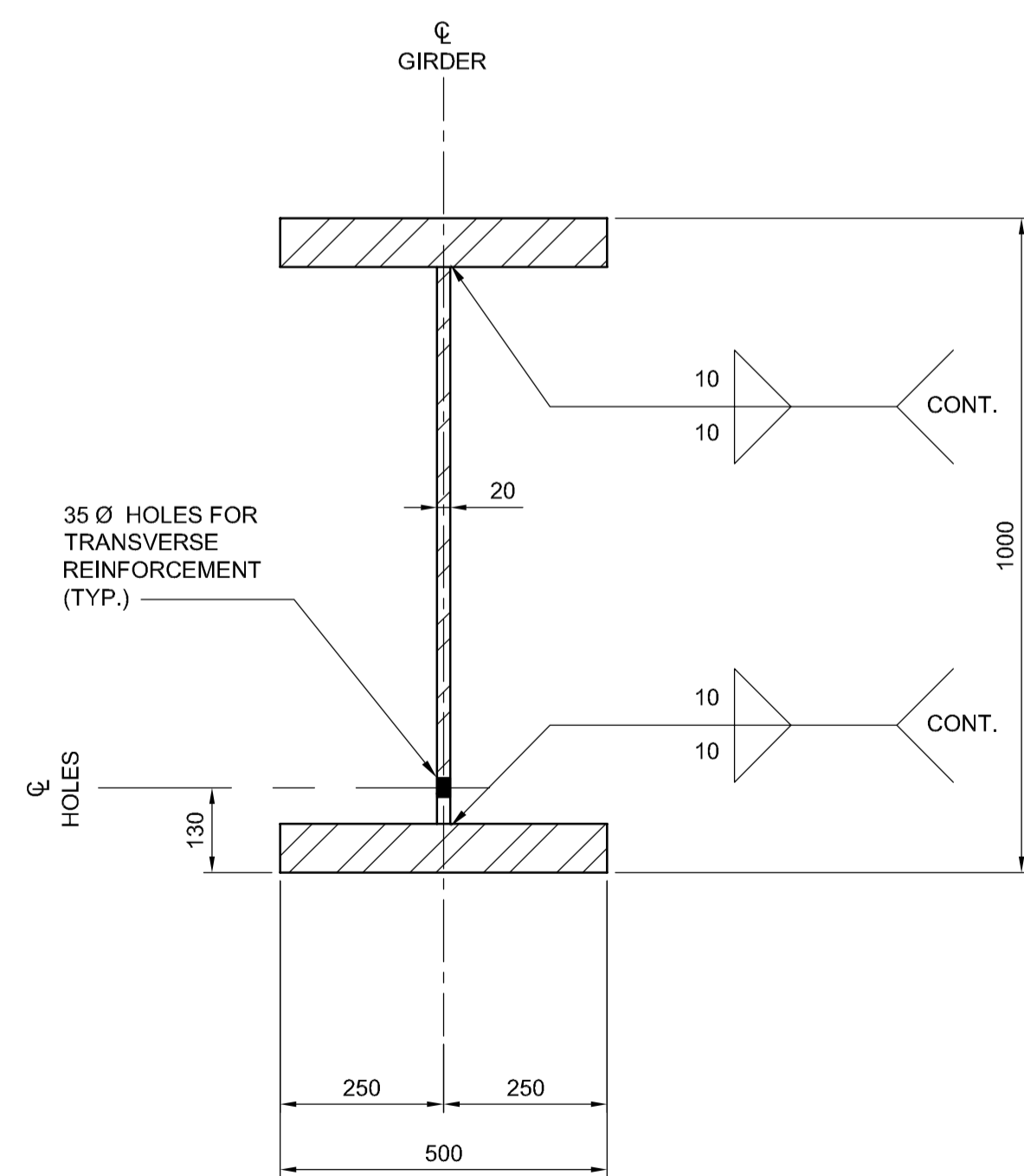
ELEVATION

GIRDER END DETAIL AT PIER LOCATION (SU.3 & SU.4)

SCALE 1:15
SHOWN IS SU.3
SU.4 IS SIMILAR BUT OPPOSITE HAND
GIRDER LINE 10 IS SHOWN

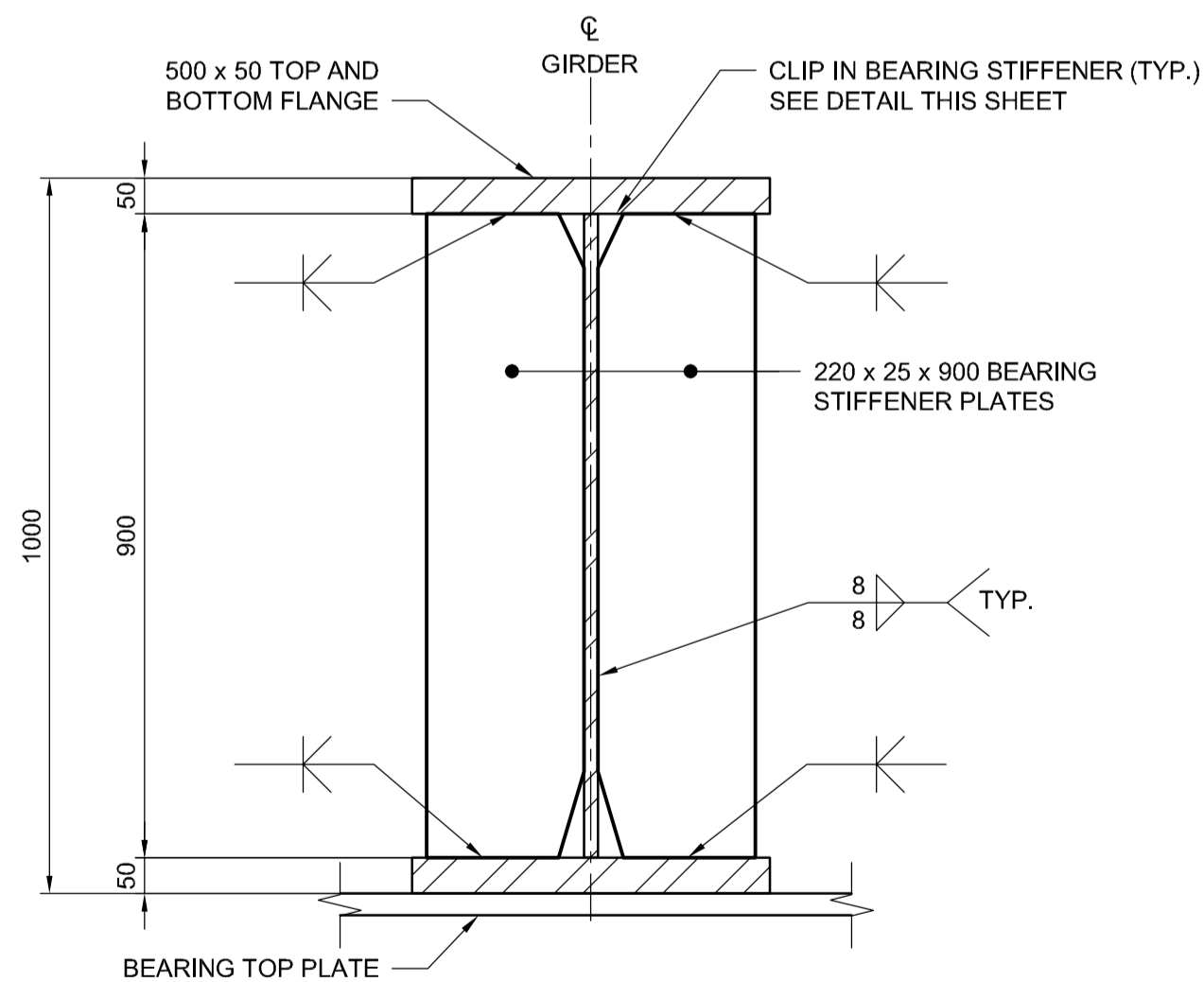
NOTE:

- GIRDER TOP FLANGE, WEB, BOTTOM FLANGE AND BEARING STIFFENERS ARE FRACTURE CRITICAL MEMBERS



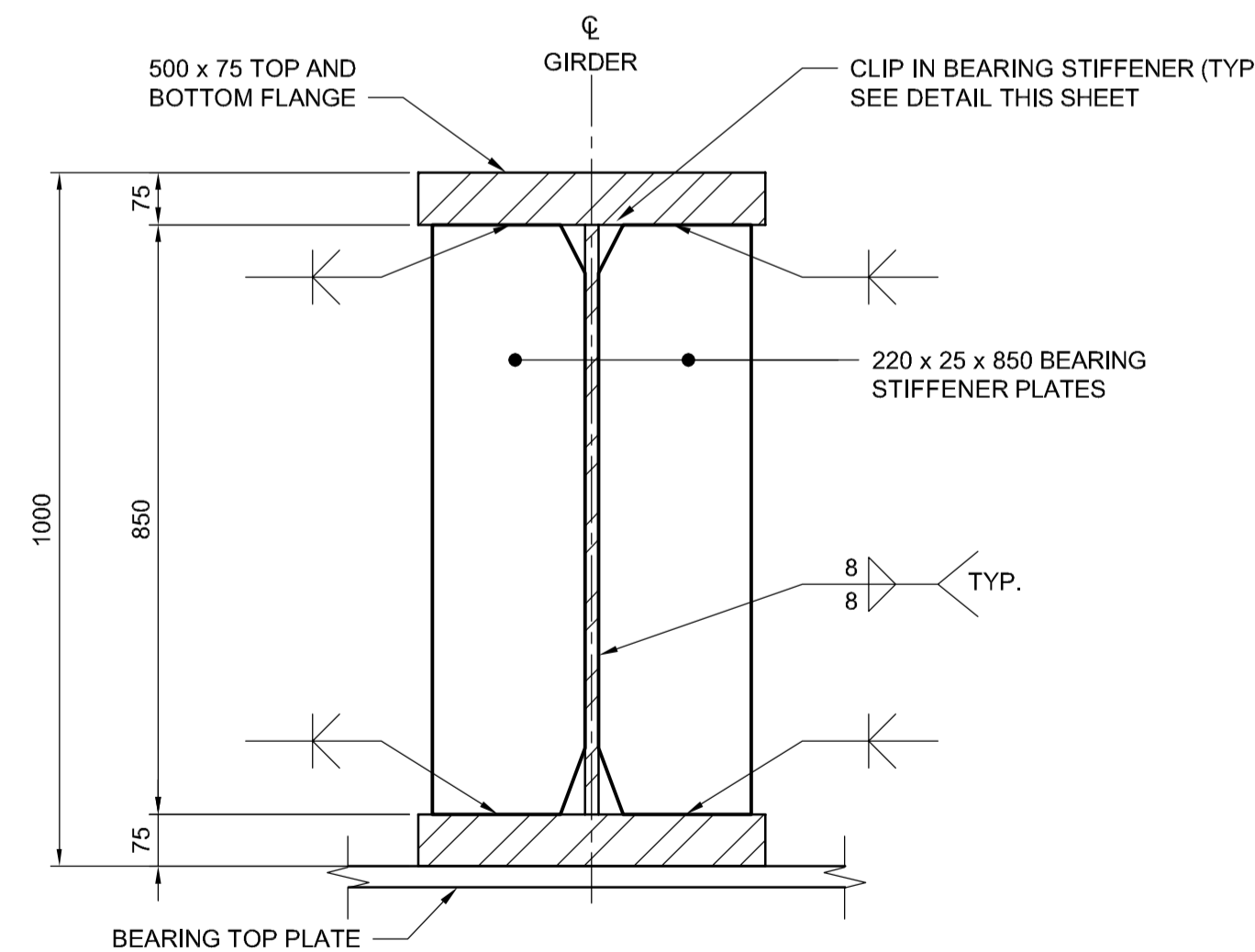
TYPICAL GIRDER

SECTION A SCALE: 1:10



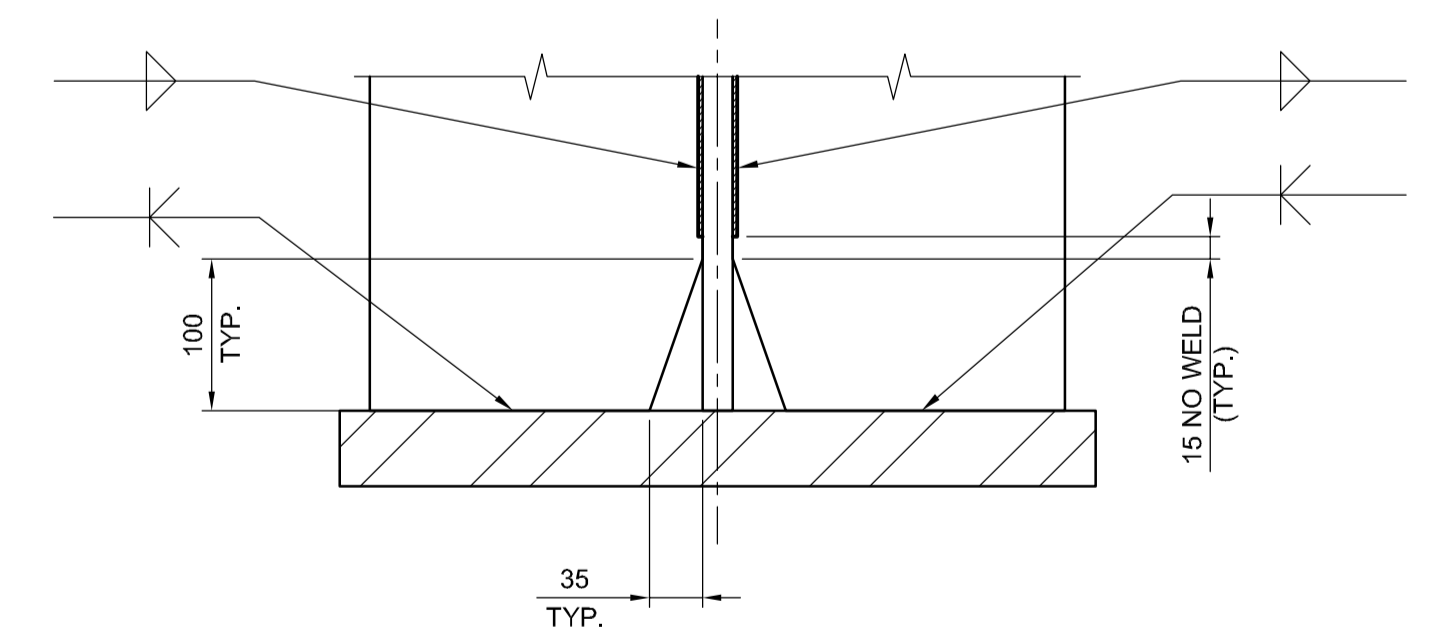
TYP. BEARING STIFFENER
17.20 & 17.60 m SPANS

SCALE 1:10



TYP. BEARING STIFFENER
21.70 m SPAN

SCALE 1:10



STANDARD CLIP AND WELD TERMINATION DETAIL

SCALE 1:5



NO.	REVISIONS	DATE	BY	DATE
0	ISSUED FOR TENDER	17/01/09	RE	

DESIGNED BY	RE	CHECKED BY	SSR
DRAWN BY	NBG	APPROVED BY	DBW
HOR. SCALE	AS SHOWN	RELEASED FOR CONSTRUCTION	
VERTICAL SCALE	AS SHOWN		

ENGINEER'S SEAL
PROVINCE OF MANITOBA
R.B. ERIC
Member 22665
REGISTERED PROFESSIONAL ENGINEER
CONSULTANT PROJECT NUMBER
16-3353

THE CITY OF WINNIPEG
PUBLIC WORKS DEPARTMENT
Winnipeg
WAVERLEY STREET UNDERPASS AT CN MILE 3.89 RIVERS SUB
CONTRACT 2: UNDERPASS STRUCTURE, RAILWORKS,
ROADWORKS, LAND DRAINAGE SEWER, PUMPING STATION
AND LANDSCAPING WORKS
CITY DRAWING NUMBER
U-239-2016-C2-CS-032
SHEET 032 OF 085
CONSULTANT DRAWING NUMBER
C2-CS-032

G:\CAD\163353\Technical Workspace\Engineering\Drawings and Figures\Structures\Contract\163353-C2-CON-CS-GIRDER DETAILS_2.dwg