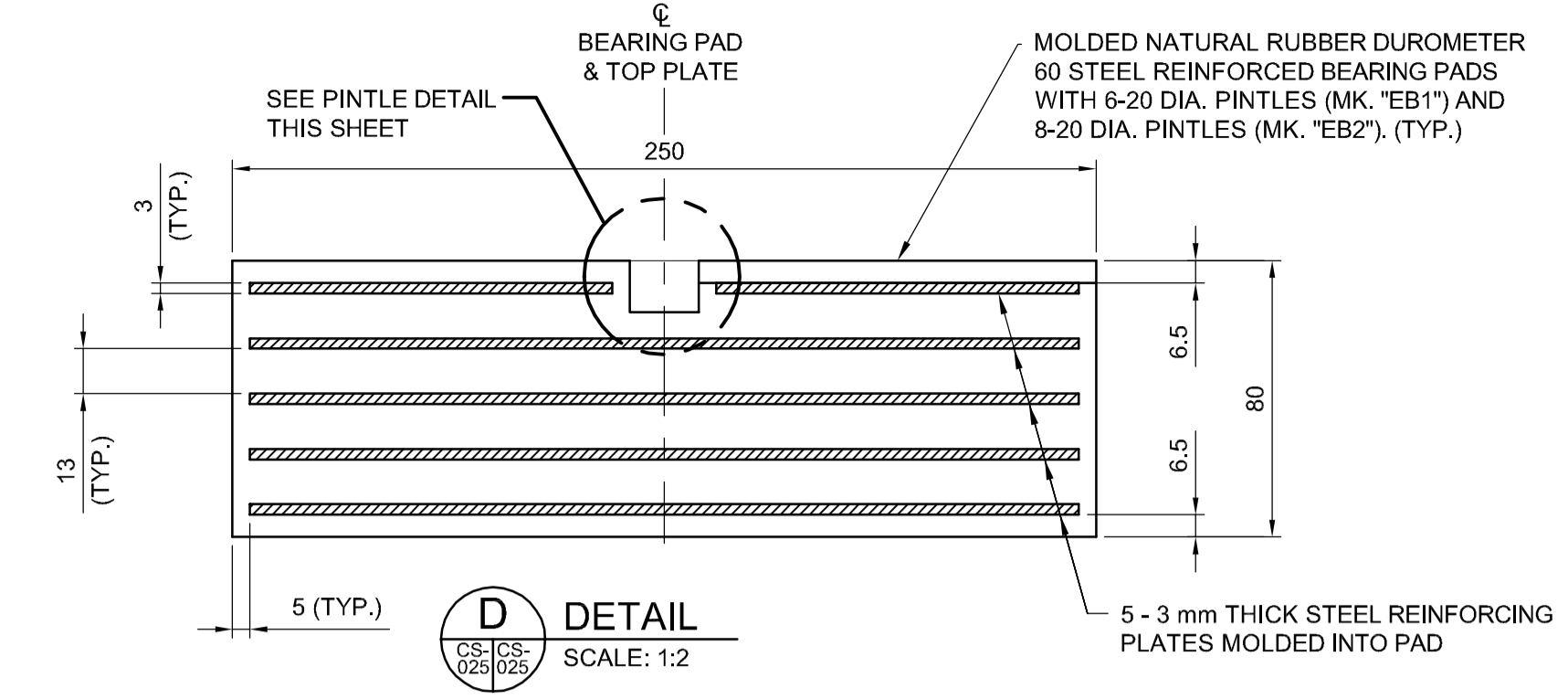


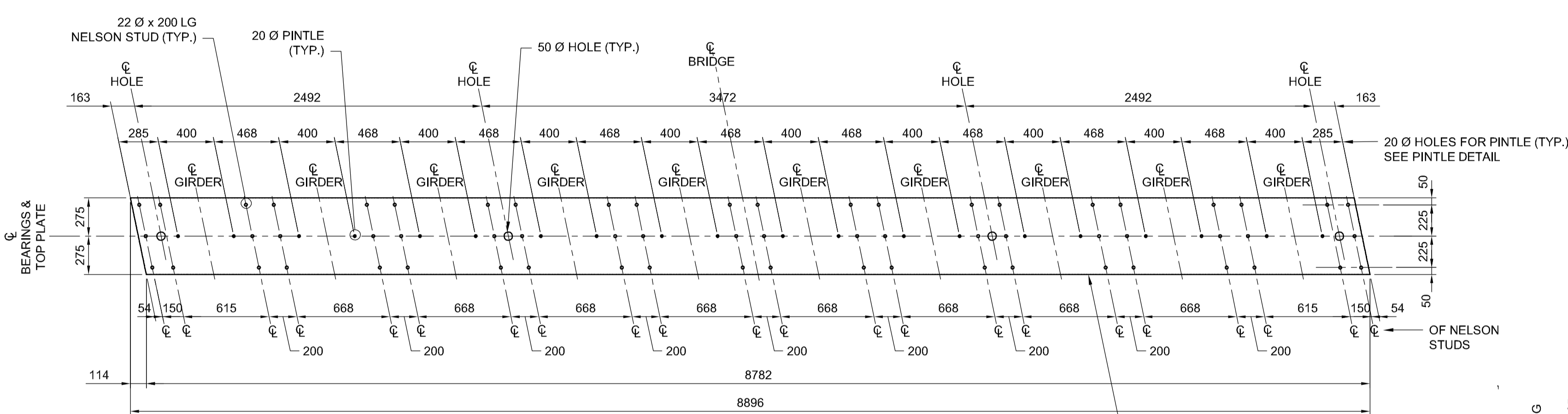
A SECTION
SCALE: 1:15

B SECTION
SCALE: 1:15

C SECTION
SCALE: 1:15

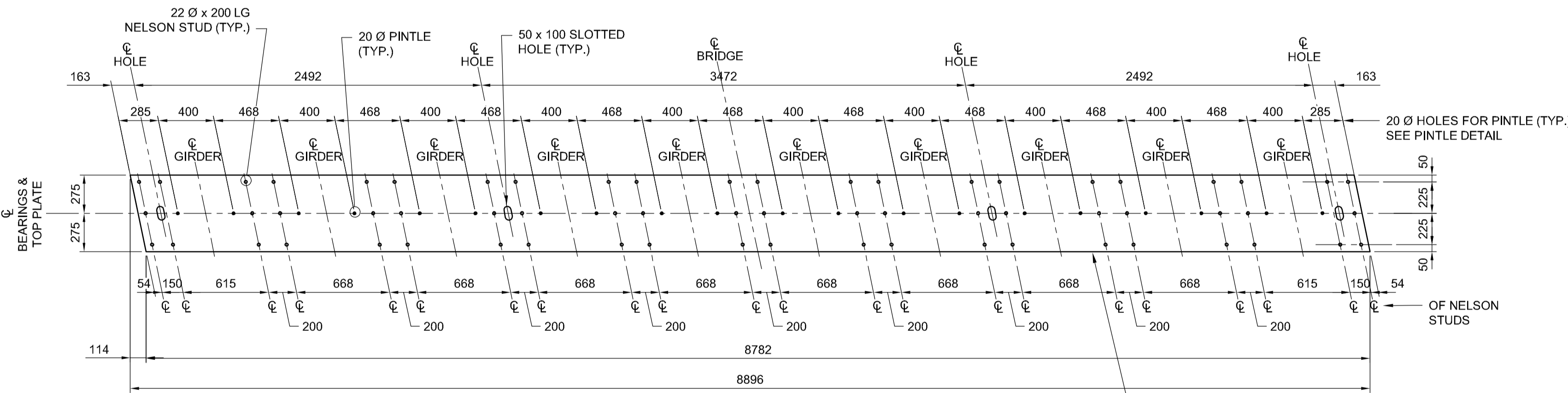


D DETAIL
SCALE: 1:2



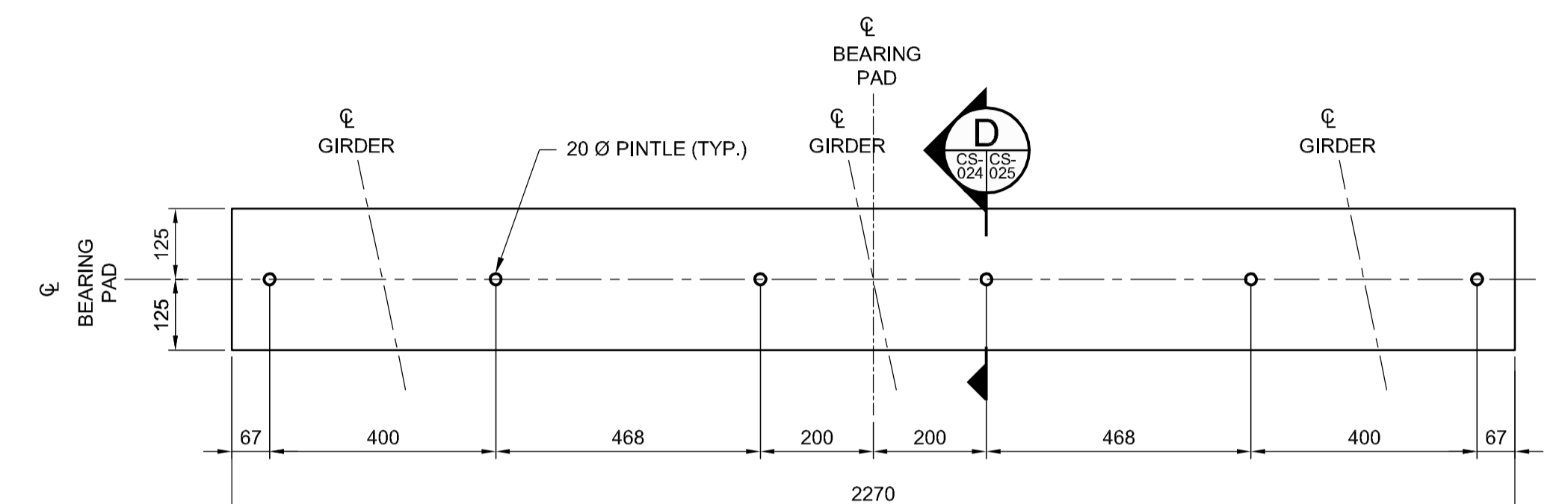
TOP PLATE MK. "TPF"
SCALE 1:25

TOP PLATE MK. "TPF"
550 x 8896 x 30

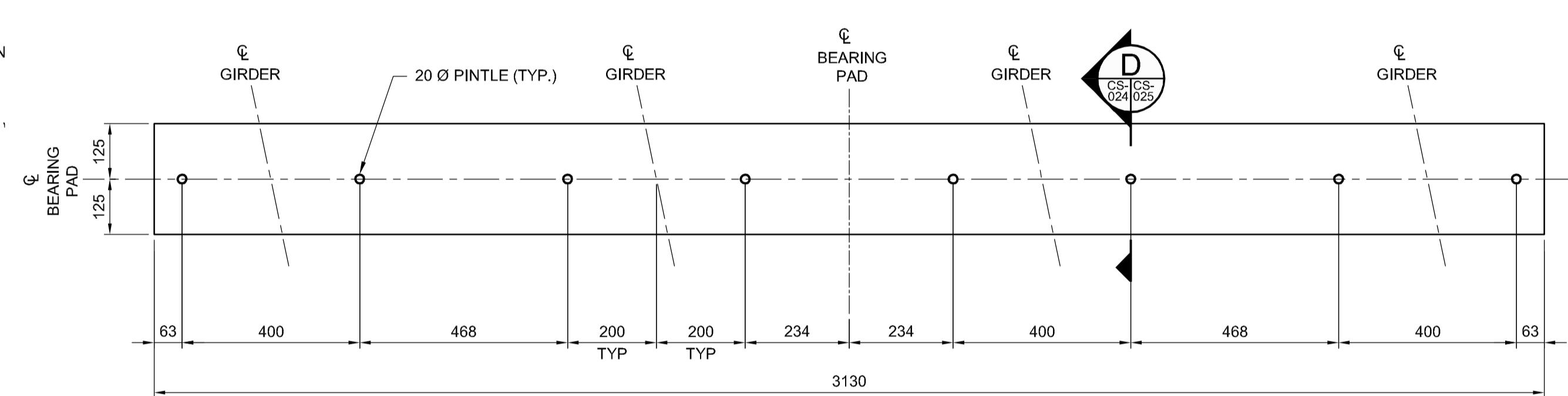


TOP PLATE MK. "TPE"
SCALE 1:25

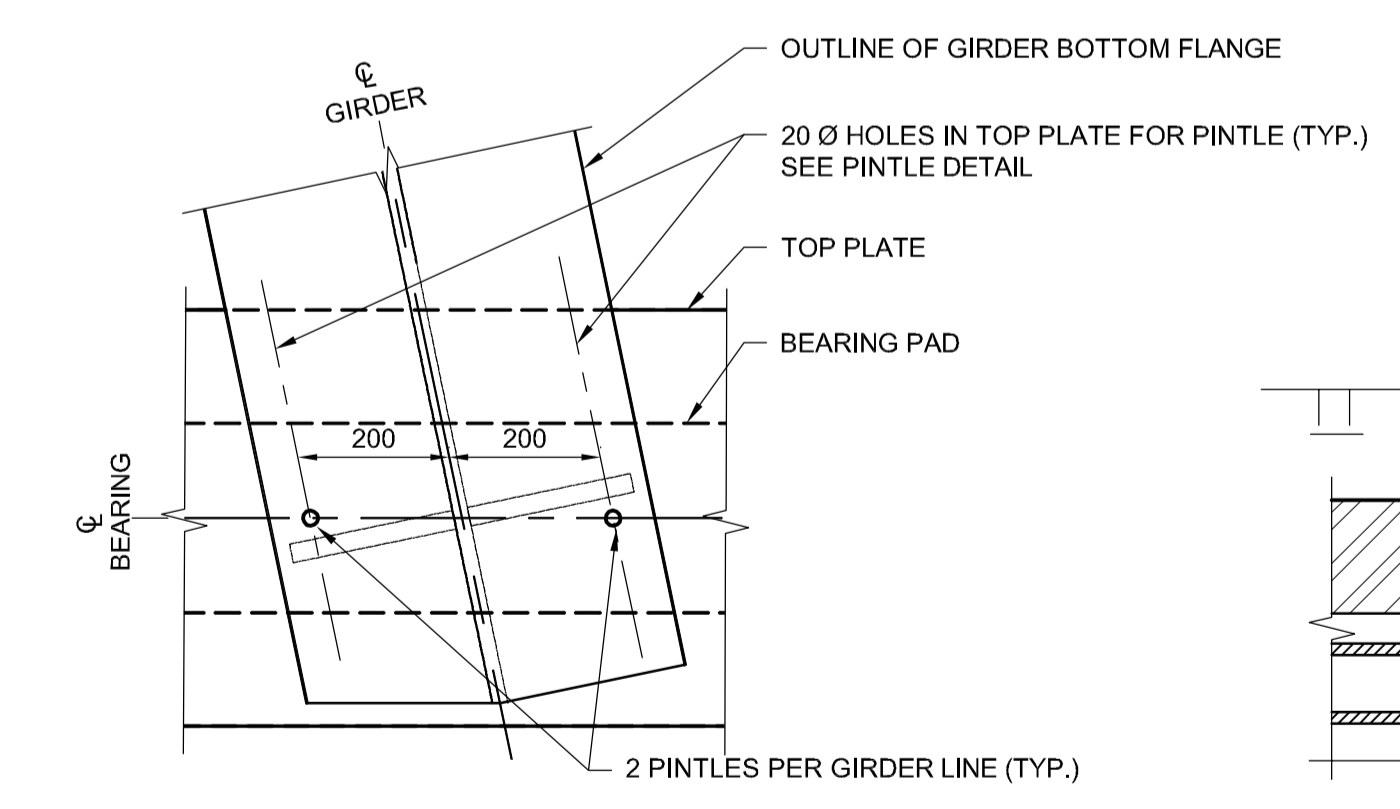
TOP PLATE MK. "TPE"
550 x 8896 x 30



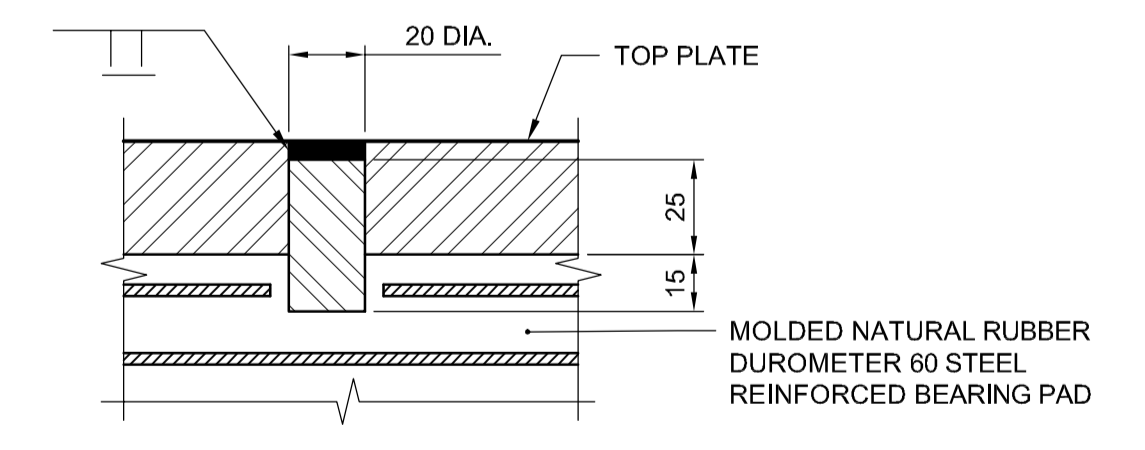
BEARING PAD MK. "EB1"
SCALE 1:10



BEARING PAD MK. "EB2"
SCALE 1:10



TYPICAL PINTLE LOCATION
SCALE 1:5



PINTLE DETAIL
SCALE 1:2

BILL OF BEARING PAD FOR SU. 1 TO SU. 5

MARK	LOCATION	No.	DESCRIPTION	REMARKS
EB1	SU. 1	2	MOLDED NATURAL RUBBER DUROMETER 60 STEEL REINFORCED	AS DETAILED
	SU. 2	4	MOLDED NATURAL RUBBER DUROMETER 60 STEEL REINFORCED	AS DETAILED
	SU. 3	4	MOLDED NATURAL RUBBER DUROMETER 60 STEEL REINFORCED	AS DETAILED
	SU. 4	4	MOLDED NATURAL RUBBER DUROMETER 60 STEEL REINFORCED	AS DETAILED
	SU. 5	2	MOLDED NATURAL RUBBER DUROMETER 60 STEEL REINFORCED	AS DETAILED
TOTAL		16		
EB2	SU. 1	1	MOLDED NATURAL RUBBER DUROMETER 60 STEEL REINFORCED	AS DETAILED
	SU. 2	2	MOLDED NATURAL RUBBER DUROMETER 60 STEEL REINFORCED	AS DETAILED
	SU. 3	2	MOLDED NATURAL RUBBER DUROMETER 60 STEEL REINFORCED	AS DETAILED
	SU. 4	2	MOLDED NATURAL RUBBER DUROMETER 60 STEEL REINFORCED	AS DETAILED
	SU. 5	1	MOLDED NATURAL RUBBER DUROMETER 60 STEEL REINFORCED	AS DETAILED
TOTAL		8		

BEARING SERVICE LOADS (MAX.)

	APPLIED
V _{DL MIN}	308 kN
V _{LL +1}	855 kN
V _{MAX}	1163 kN



DESIGNED BY: RE		CHECKED BY: SSR	
DRAWN BY: NBG		APPROVED BY: DBW	
HOR. SCALE: AS SHOWN		RELEASED FOR CONSTRUCTION	
VERTICAL: AS SHOWN		DATE:	
0	ISSUED FOR TENDER	17/01/09	RE
NO.	REVISIONS	DATE	BY

ENGINEER'S SEAL
PROVINCE OF MANITOBA
R.B. ERIC
Member 22665
REGISTERED PROFESSIONAL ENGINEER
CONSULTANT PROJECT NUMBER
16-3353

THE CITY OF WINNIPEG
PUBLIC WORKS DEPARTMENT
Waverley Street Underpass at CN Mile 3.89 Rivers Sub
Contract 2: Underpass Structure, Railworks,
Roadworks, Land Drainage Sewer, Pumping Station
and Landscaping Works
CITY DRAWING NUMBER
U-239-2016-C2-CS-025
SHEET 025 OF 085
CONSULTANT DRAWING NUMBER
C2-CS-025

G:\CAD\163353\Technical\Worpspac\Engineering\Drawings and Figures\Structures\Contract\163353-C2-CON-CS-BEARING DETAILS 1.dwg