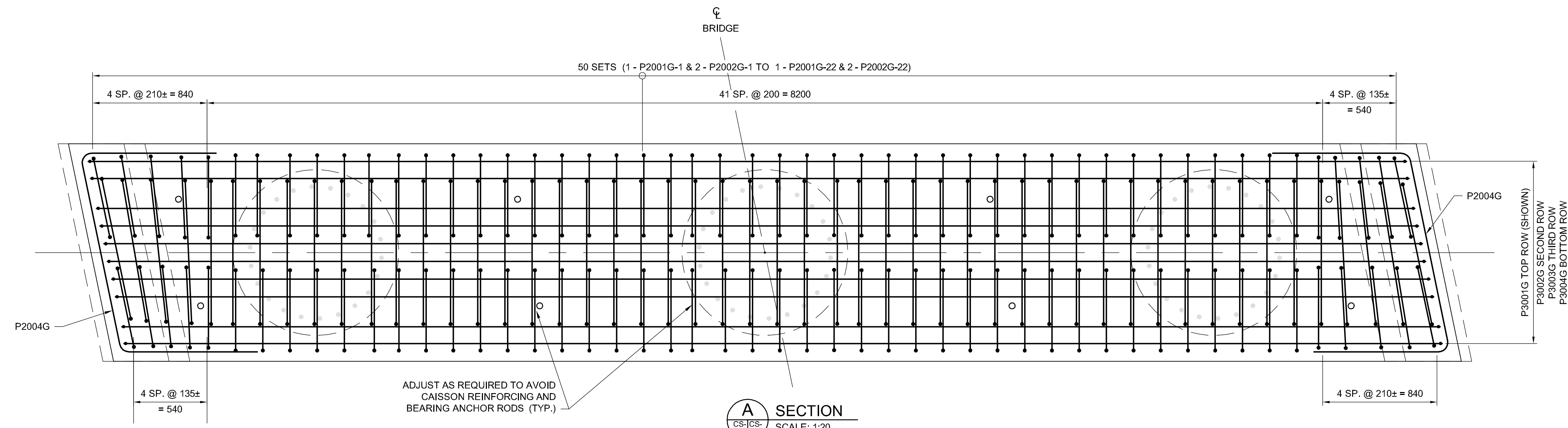
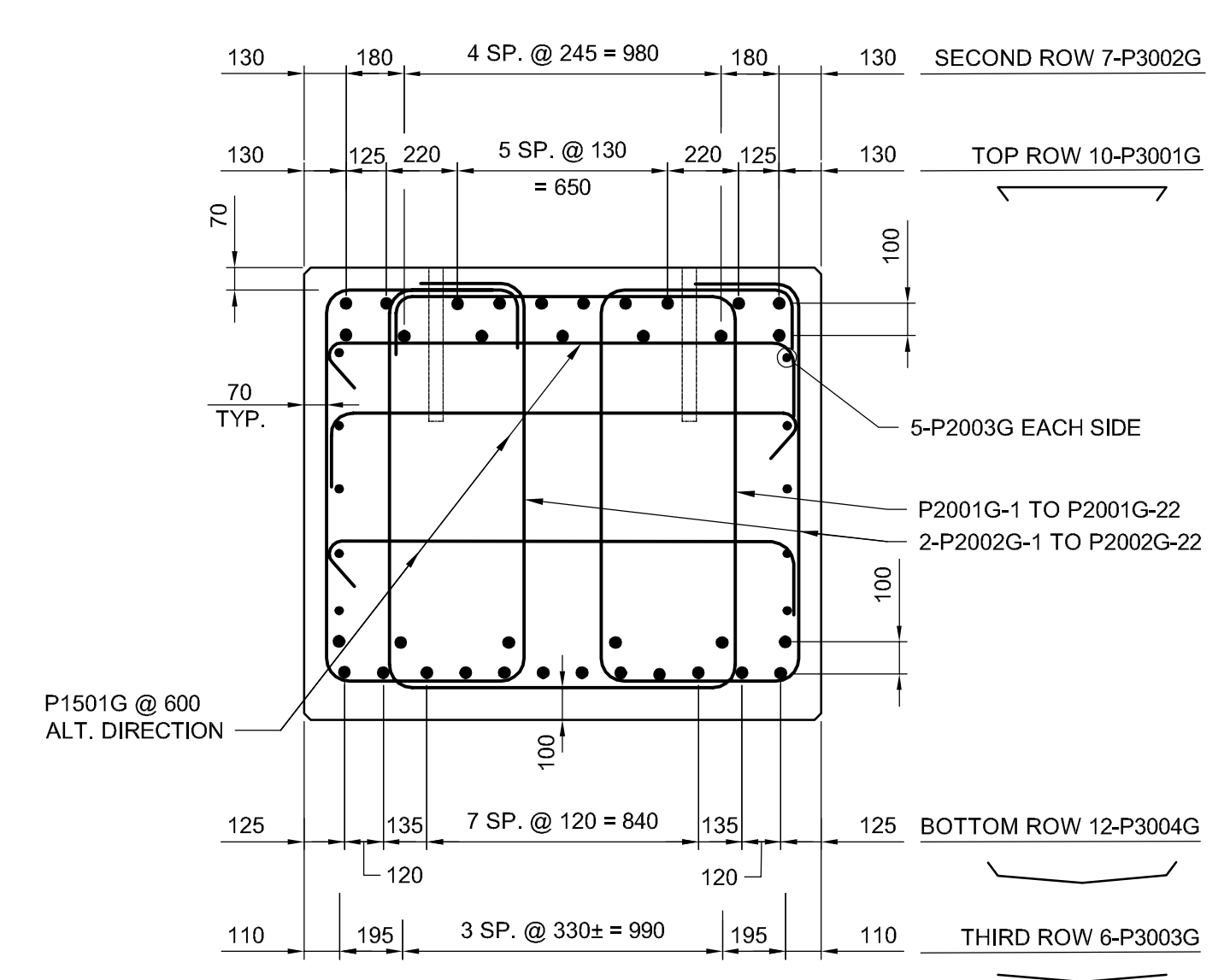


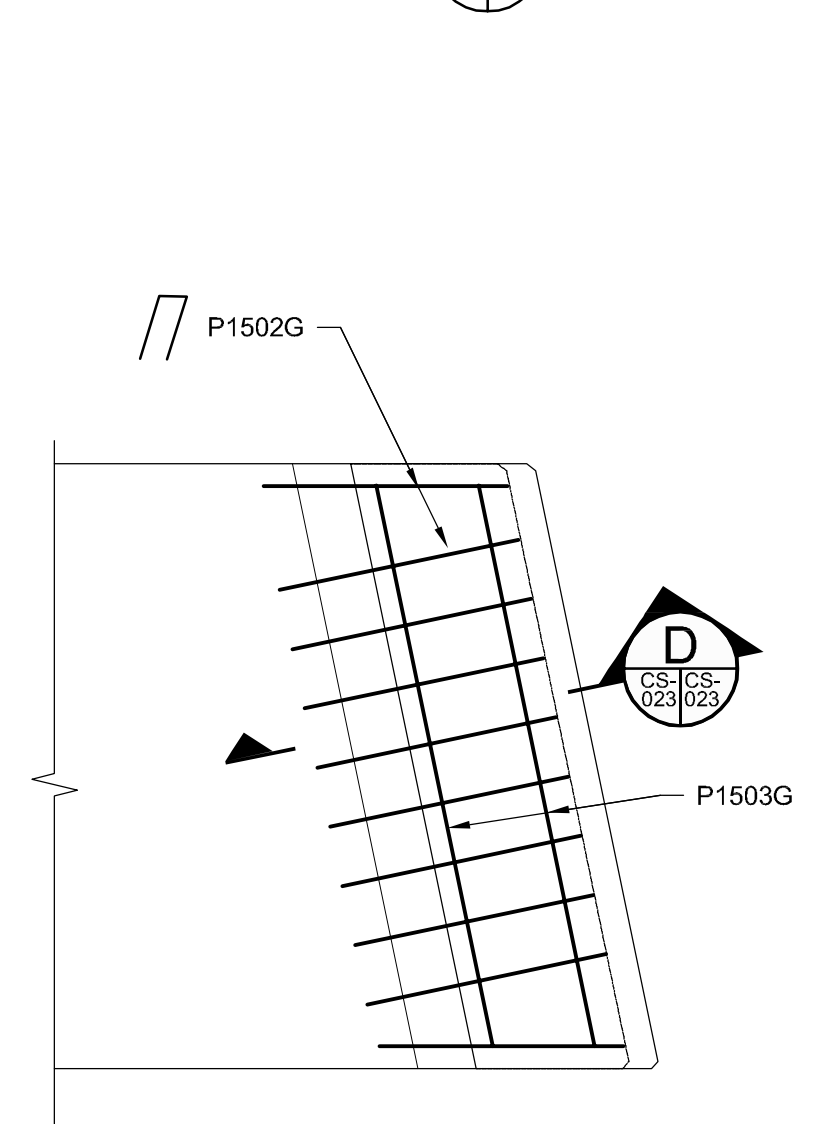
ELEVATION  
SCALE 1:20



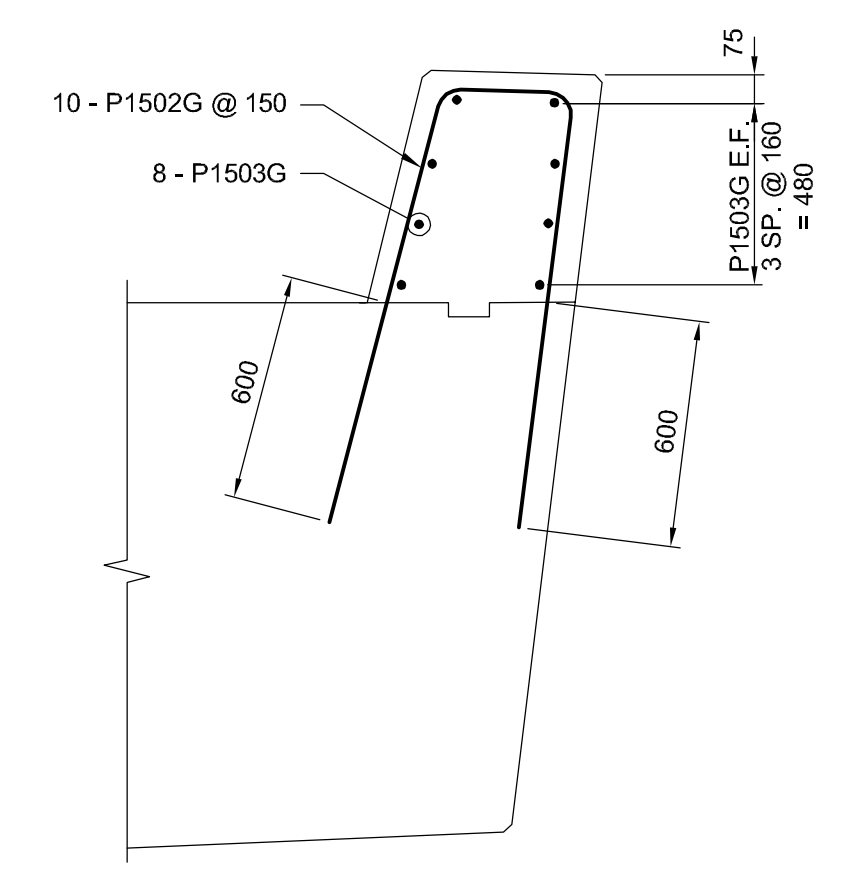
SECTION A  
SCALE: 1:20



SECTION B  
SCALE: 1:20



SECTION C  
SCALE: 1:20



SECTION D  
SCALE: 1:20

NOTES:

- FOR REINFORCING STEEL NOTES REFER TO SHEET C2-CS-001.
- FOR CONCRETE NOTES AND CONCRETE CLEAR COVER TO REINFORCEMENT REFER TO SHEET C2-CS-001.
- REINFORCING STEEL FOR MARKS ENDING WITH "G" SHALL BE GALVANIZED REINFORCING.

G:\CAD\163353\Technical Workspace\Engineering\Drawings and Figures\Structures\Contract\163353-C2-CON-CS-PIER REINF.dwg

**APEGM**  
Certificate of Authorization  
Dillon Consulting Limited (MB)  
No. 1789 Date: 2017/01/09

NO.	REVISIONS	DATE	BY	DATE
0	ISSUED FOR TENDER	17/01/09	RE	

DESIGNED BY	RE	CHECKED BY	SSR
DRAWN BY	DB	APPROVED BY	DBW
HOR. SCALE	AS SHOWN	RELEASED FOR CONSTRUCTION	
VERTICAL SCALE	AS SHOWN		

ENGINEER'S SEAL  
PROVINCE OF MANITOBA  
**R.B. ERIC**  
Member 22665  
REGISTERED PROFESSIONAL ENGINEER  
CONSULTANT PROJECT NUMBER  
16-3353

**THE CITY OF WINNIPEG**  
PUBLIC WORKS DEPARTMENT  
Winnipeg  
WAVERLEY STREET UNDERPASS AT CN MILE 3.89 RIVERS SUB  
CONTRACT 2: UNDERPASS STRUCTURE, RAILWORKS,  
ROADWORKS, LAND DRAINAGE SEWER, PUMPING STATION  
AND LANDSCAPING WORKS  
PIER SU.2, SU.3 AND SU.4  
REINFORCING DETAILS - SHEET 1  
CITY DRAWING NUMBER  
U-239-2016-C2-CS-023  
SHEET 023 OF 085  
CONSULTANT DRAWING NUMBER  
C2-CS-023