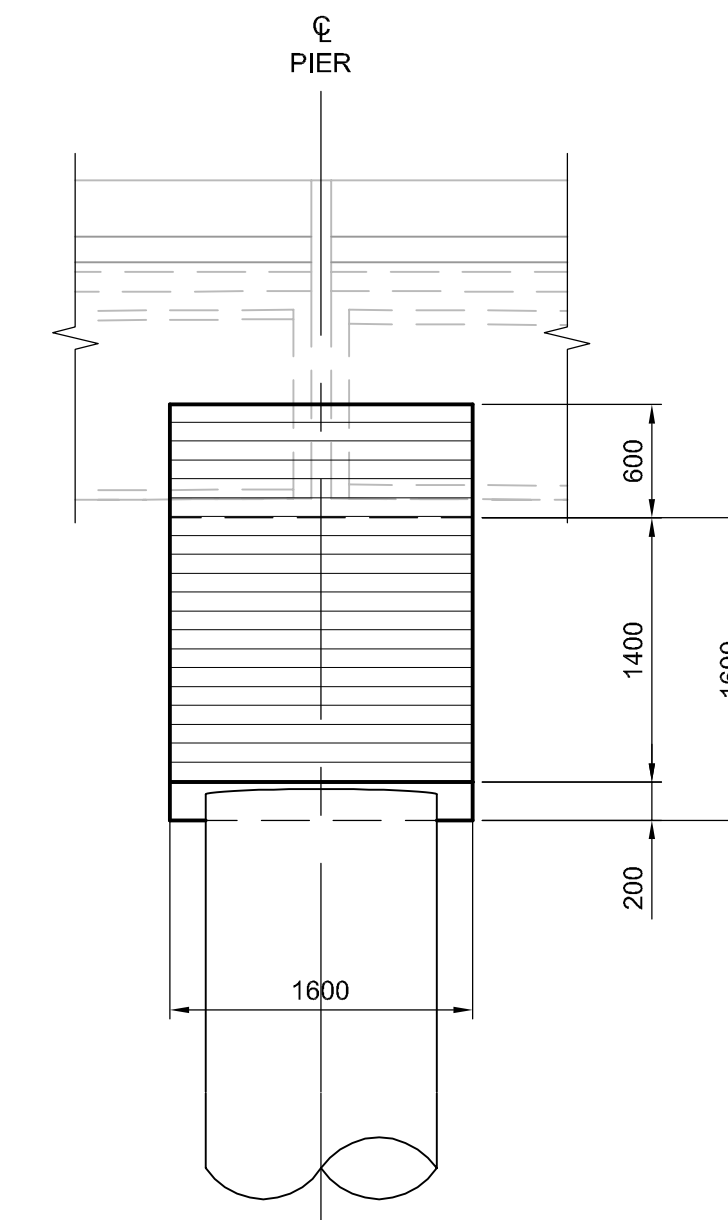


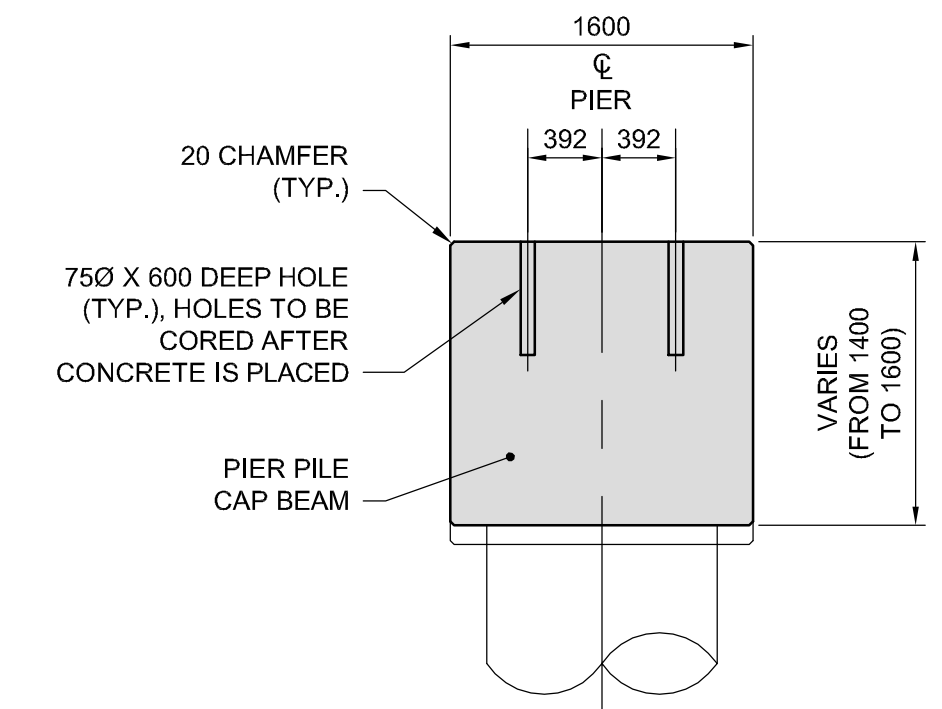
ELEVATION
SCALE: 1:40
TYPICAL PIER
SU. 3 SHOWN, SU.2 & SU.4 SIMILAR

PIER CONCRETE ELEVATIONS	
LOCATION	ELEV. A
SU. 2	232.695
SU. 3	232.785
SU. 4	232.673

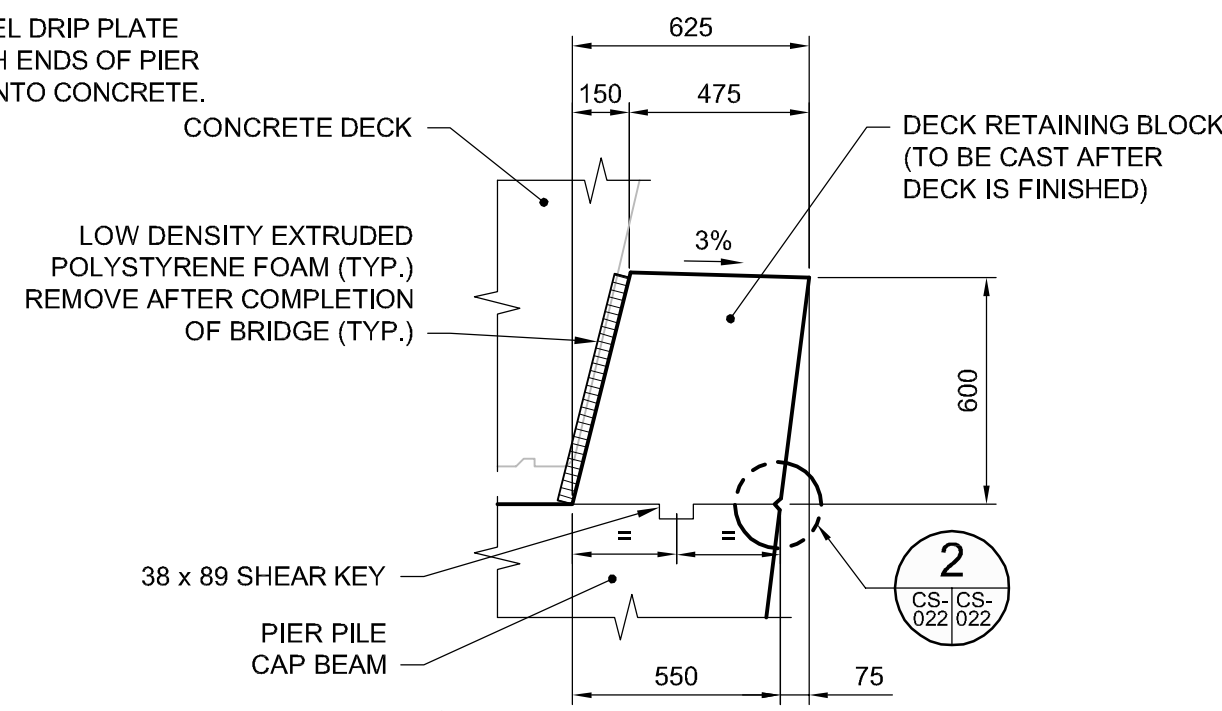
- NOTES:**
- FOR GENERAL NOTES SEE SHEET C2-CS-001.
 - FOR CONCRETE NOTES REFER TO SHEET C2-CS-001.
 - BEARING SEAT ELEVATIONS ARE BASED ON ASSUMED BEARING THICKNESS OF 110 mm.
 - BEARING SEATS TO BE FLAT AND LEVEL AT BEARING SEAT LOCATIONS.
 - ALL EXPOSED EDGES TO BE CHAMFERED 20 mm UNLESS NOTED OTHERWISE.
 - CONCRETE FINISHES SHALL BE AS PER SPECIFICATIONS.



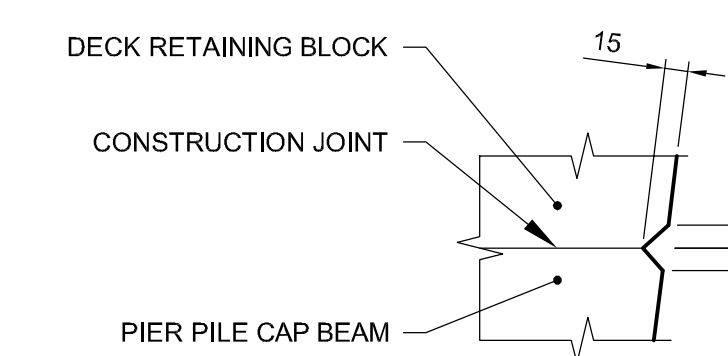
1 ELEVATION
SCALE: 1:40



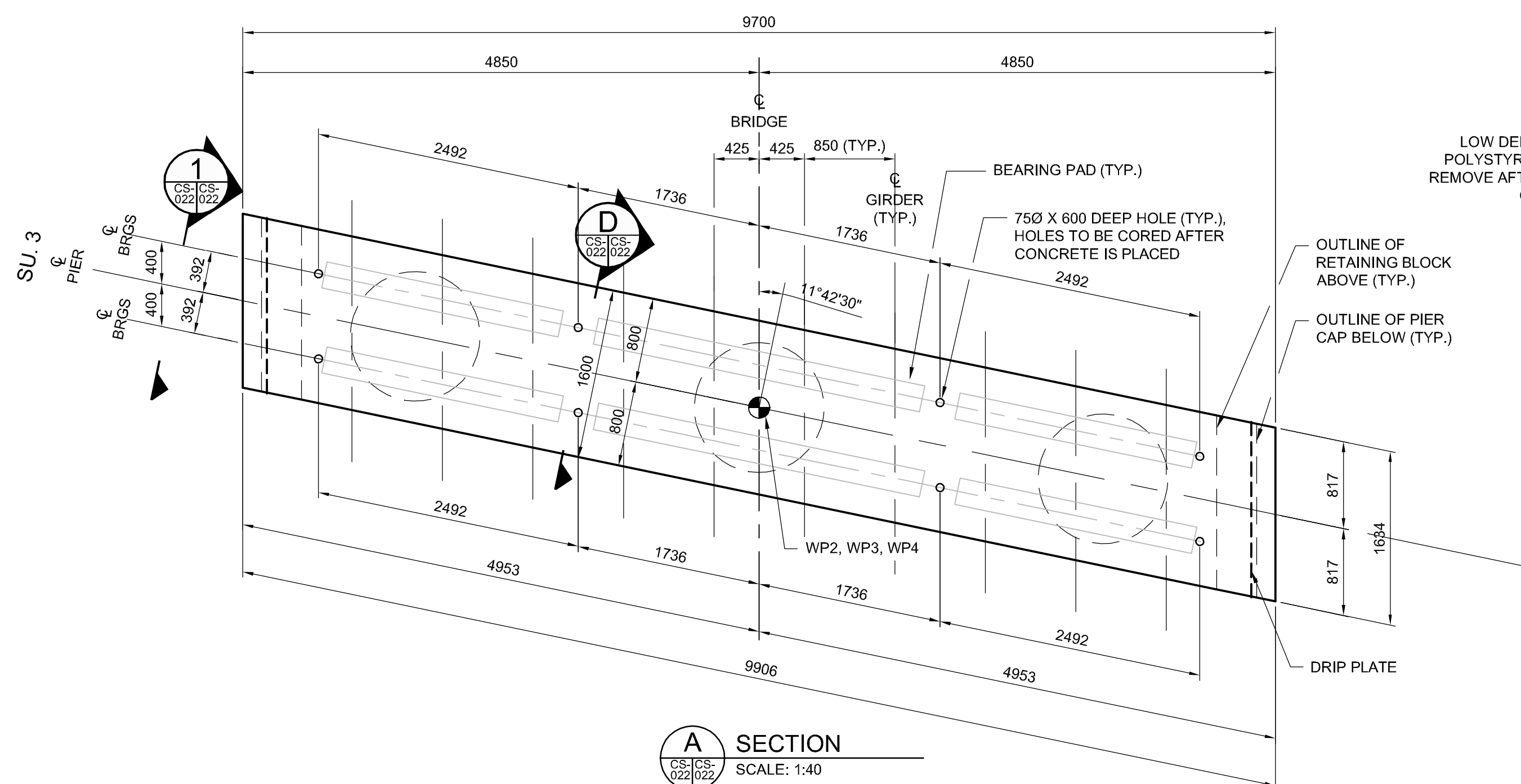
D SECTION
SCALE: 1:40



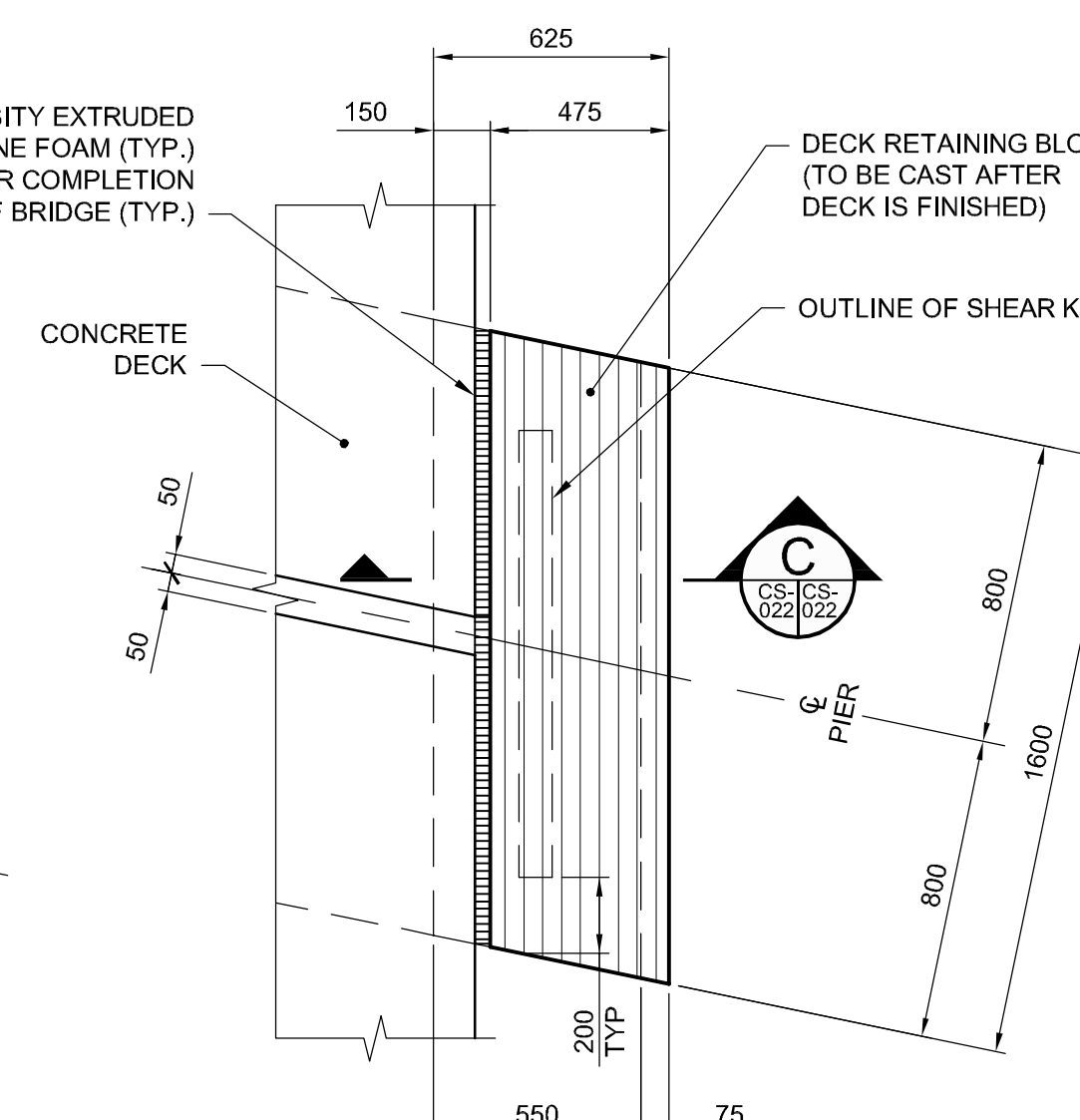
C SECTION
SCALE: 1:20



2 DETAIL
SCALE: 1:5



A SECTION
SCALE: 1:40



B SECTION
SCALE: 1:20

G:\CAD\163353\Technical Workspace\Engineering\Drawings and Figures\Structures\Contract\163353-C2-CON-CS-PIER CONCI.dwg

APEGM
Certificate of Authorization
Dillon Consulting Limited (MB)
No. 1789 Date: 2017/01/09

DESIGNED BY	RE	CHECKED BY	SSR
DRAWN BY	CGC	APPROVED BY	DBW
HOR. SCALE	AS SHOWN	RELEASED FOR CONSTRUCTION	
VERTICAL SCALE	AS SHOWN		
NO. REVISIONS	DATE	BY	DATE

ENGINEER'S SEAL
PROVINCE OF MANITOBA
R.B. ERIC
Member
22665
REGISTERED PROFESSIONAL ENGINEER
CONSULTANT PROJECT NUMBER
16-3353

THE CITY OF WINNIPEG
PUBLIC WORKS DEPARTMENT
Waverley Street Underpass at CN Mile 3.89 Rivers Sub
Contract 2: Underpass Structure, Railworks,
Roadworks, Land Drainage Sewer, Pumping Station
and Landscaping Works
PIER SU.2, SU.3 AND SU.4
CONCRETE DETAILS
CITY DRAWING NUMBER
U-239-2016-C2-CS-022
SHEET 022 OF 085
CONSULTANT DRAWING NUMBER
C2-CS-022