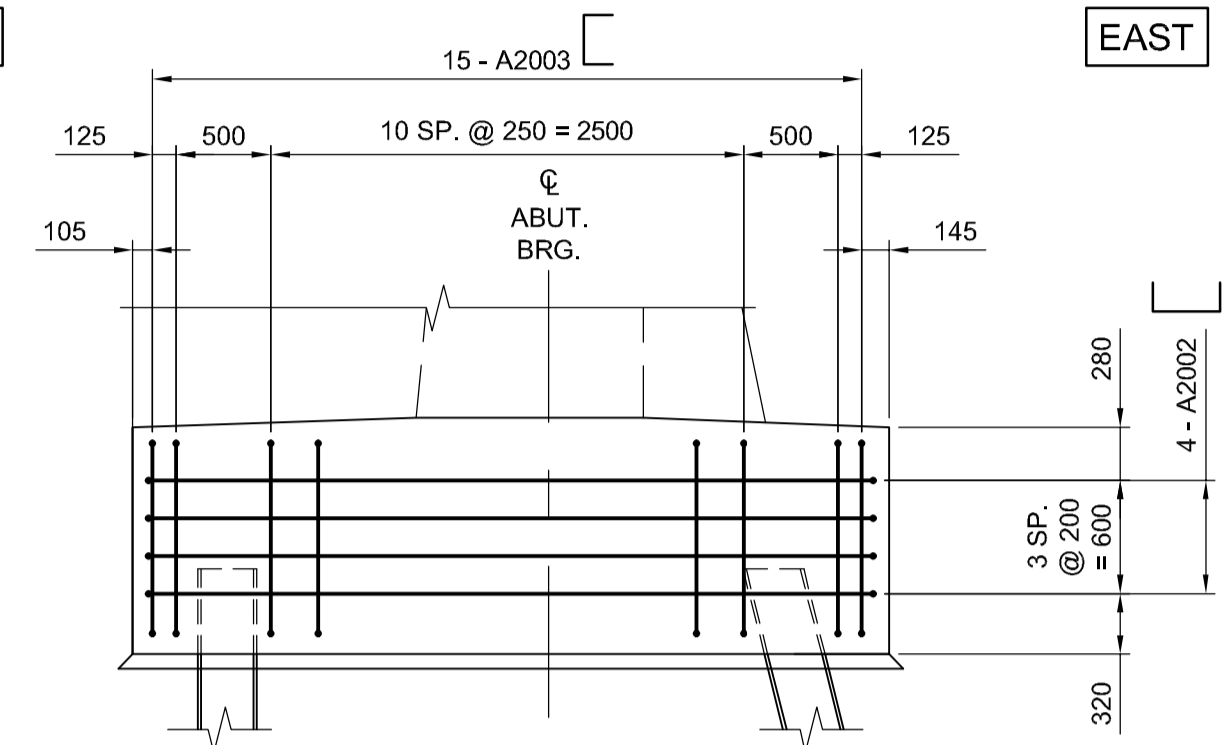
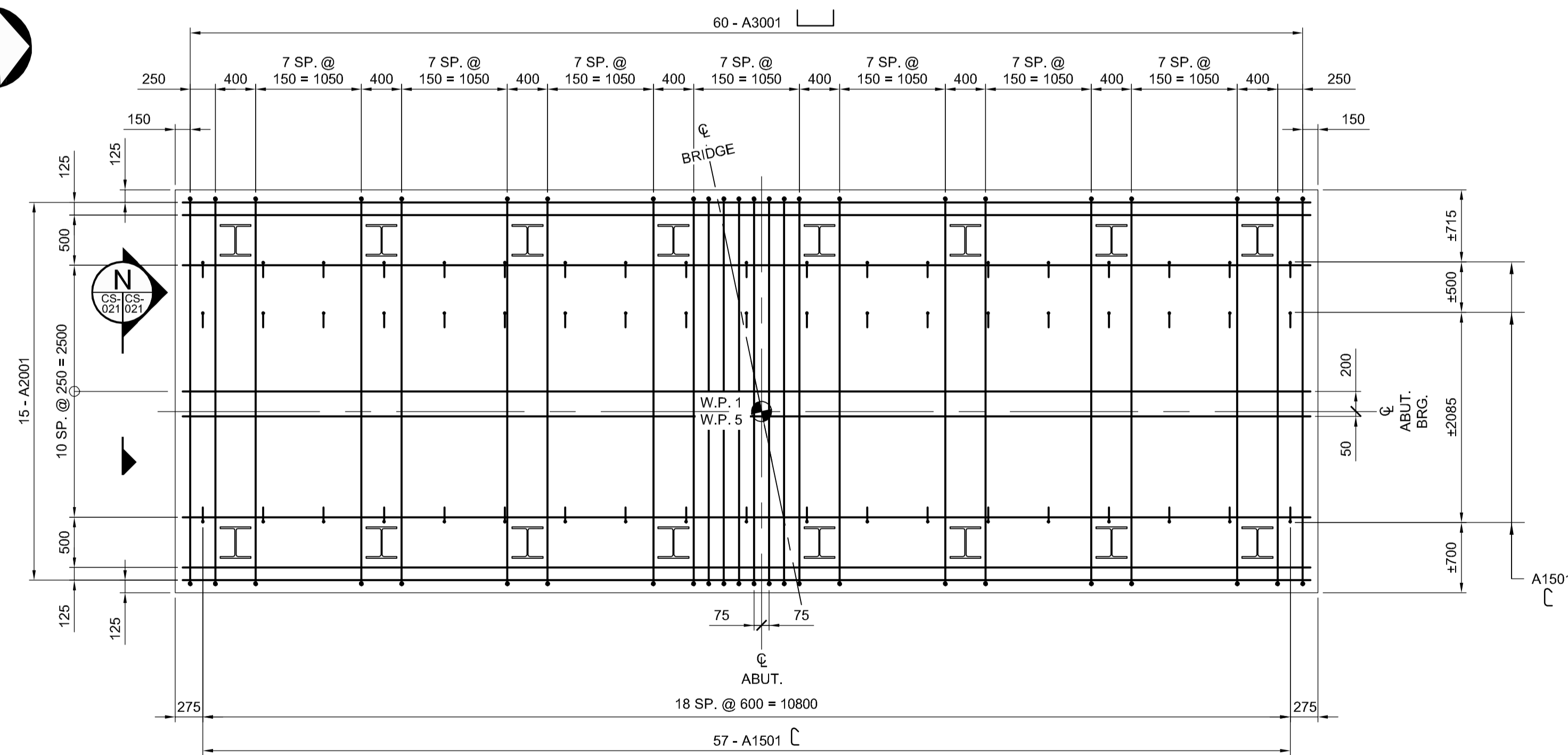
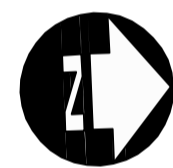


**L SECTION**  
SCALE: 1:40  
SHOWING REINFORCING AT TOP OF FOOTING  
SU.1 SHOWN, SU.5 SIMILAR

WEST



**ELEVATION**  
SCALE: 1:40  
SHOWING TYPICAL REINFORCING AT END OF FOOTING  
SU.1 SHOWN, SU.5 SIMILAR



**M SECTION**  
SCALE: 1:40  
SHOWING REINFORCING AT BOTTOM OF FOOTING  
SU.1 SHOWN, SU.5 SIMILAR

**NOTES:**  
1. REFER TO NOTES ON SHEET C2-CS-019.

G:\CAD\163353\Technical Workspace\Engineering\Drawings and Figures\Structures\Contract\163353-C2-CON-CS-ABUT-REINFS.dwg



DESIGNED BY	RE	CHECKED BY	SSR
DRAWN BY	CGC	APPROVED BY	DBW
HOR. SCALE	AS SHOWN	RELEASED FOR CONSTRUCTION	
VERTICAL SCALE	AS SHOWN		
NO.	REVISIONS	DATE	BY
0	ISSUED FOR TENDER	17/01/09	RE

<b>DILLON CONSULTING</b>	
DESIGNED BY	RE
CHECKED BY	SSR
DRAWN BY	CGC
APPROVED BY	DBW
HOR. SCALE	AS SHOWN
VERTICAL SCALE	AS SHOWN
RELEASED FOR CONSTRUCTION	

ENGINEER'S SEAL  
PROVINCE OF MANITOBA  
**R.B. ERIC**  
Member 22665  
REGISTERED PROFESSIONAL ENGINEER  
CONSULTANT PROJECT NUMBER  
**16-3353**

**THE CITY OF WINNIPEG**  
PUBLIC WORKS DEPARTMENT  
Waverley Street Underpass at CN Mile 3.89 Rivers Sub  
Contract 2: Underpass Structure, Railworks,  
Roadworks, Land Drainage Sewer, Pumping Station  
and Landscaping Works  
ABUTMENT SU.1 AND SU.5  
REINFORCING DETAILS - SHEET 3  
CITY DRAWING NUMBER  
U-239-2016-C2-CS-021  
SHEET 021 OF 085  
CONSULTANT DRAWING NUMBER  
C2-CS-021