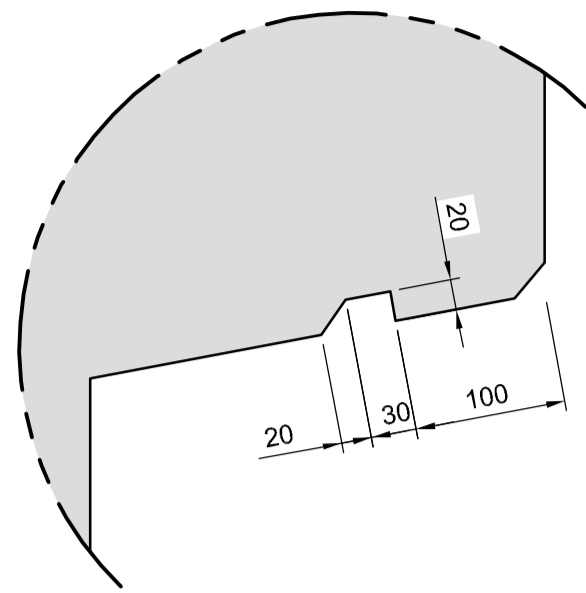
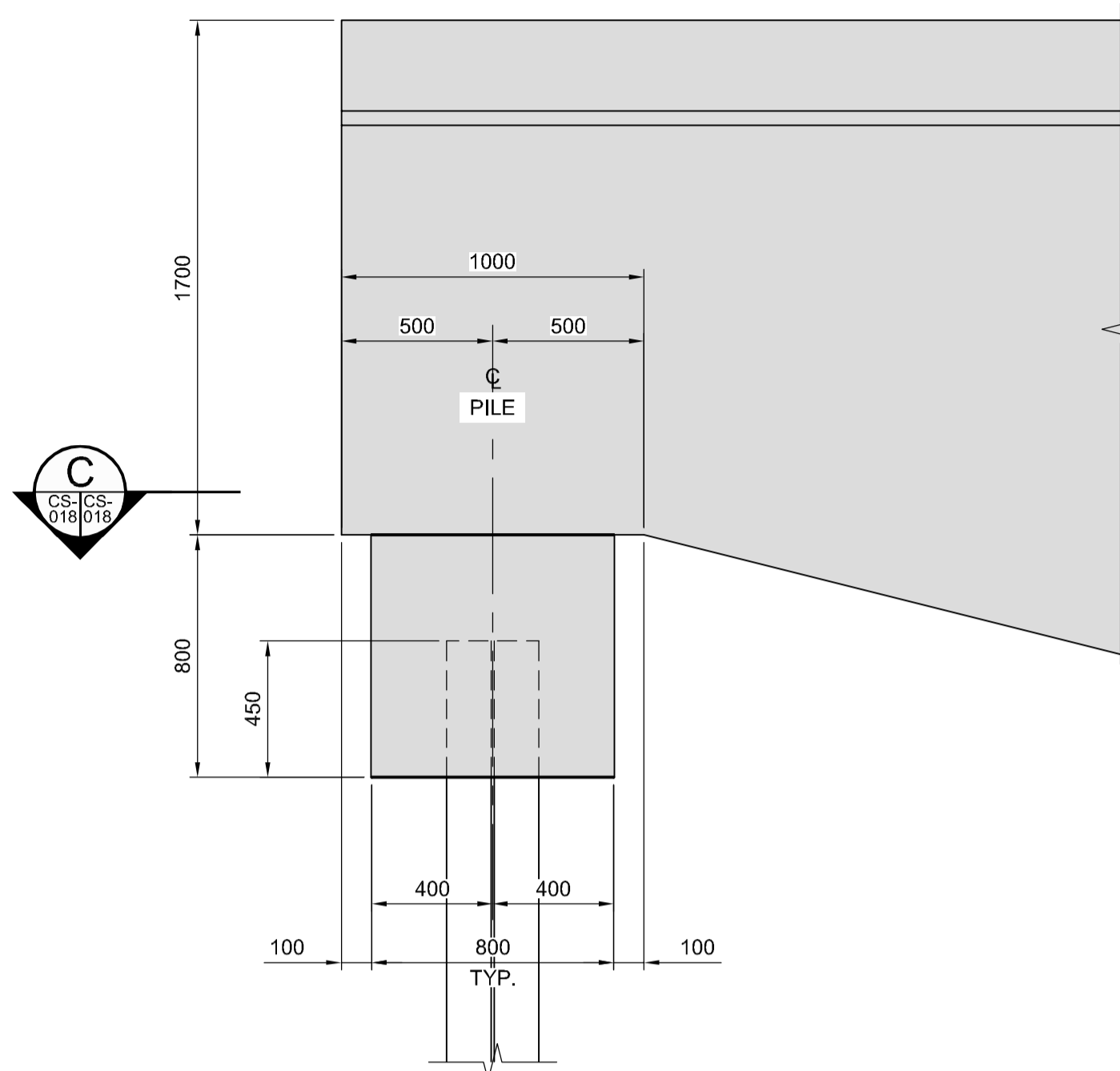


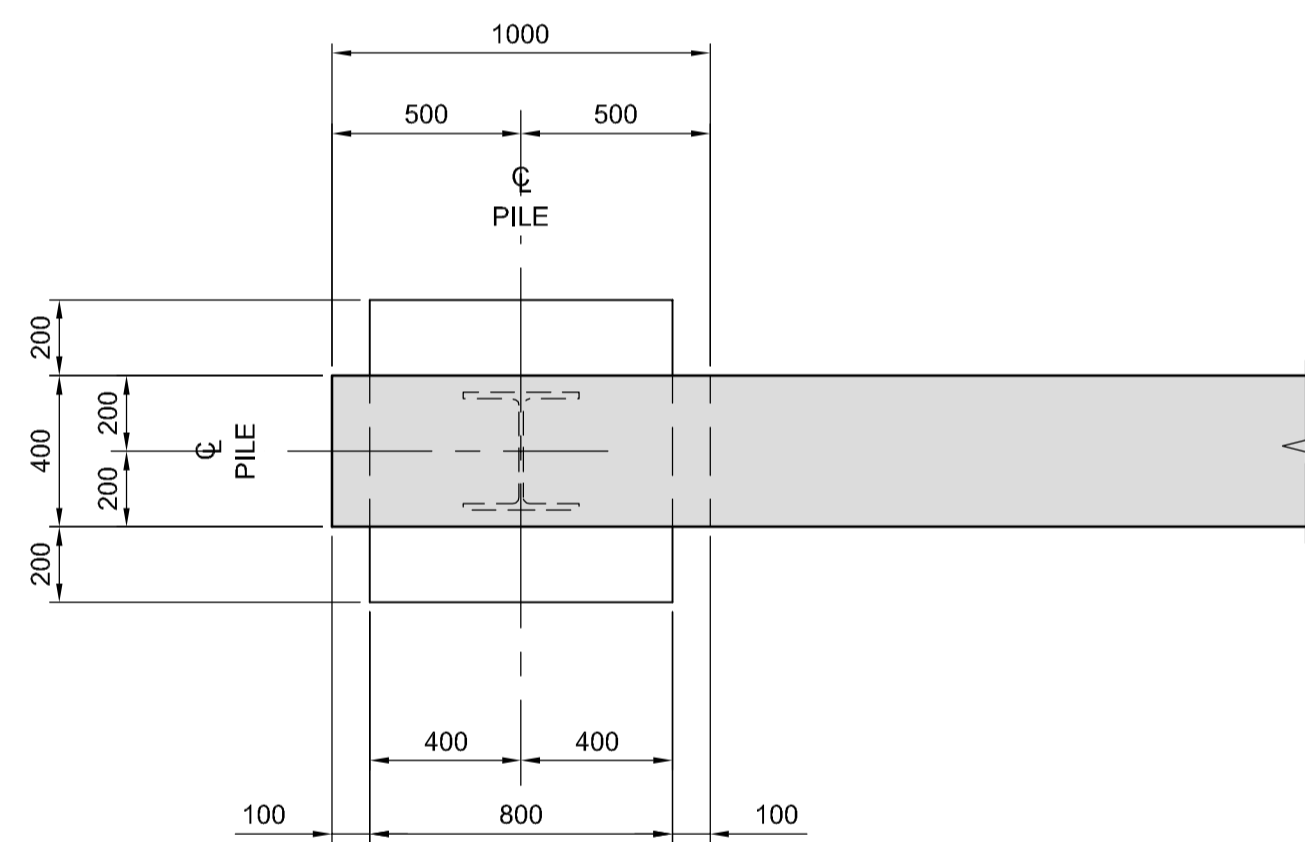
B SECTION
SCALE: 1:25
TYPICAL WINGWALL DETAIL



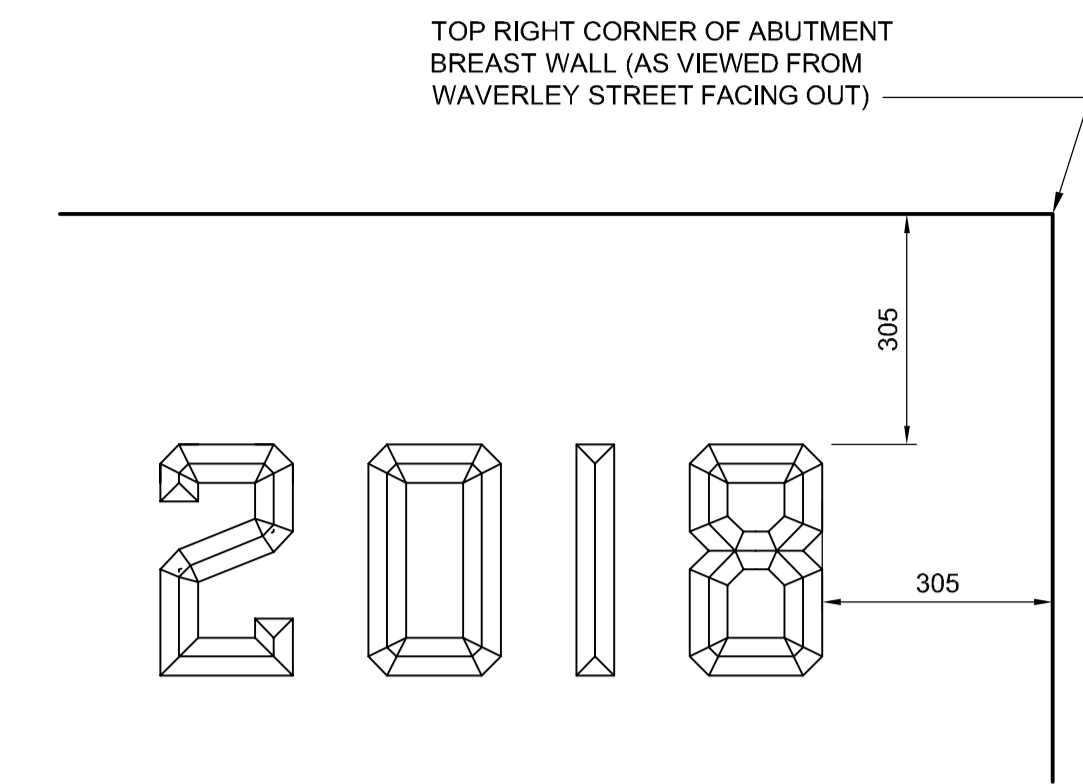
1 DETAIL
SCALE: 1:5
TYPICAL DRIP DETAIL



2 DETAIL
SCALE: 1:20

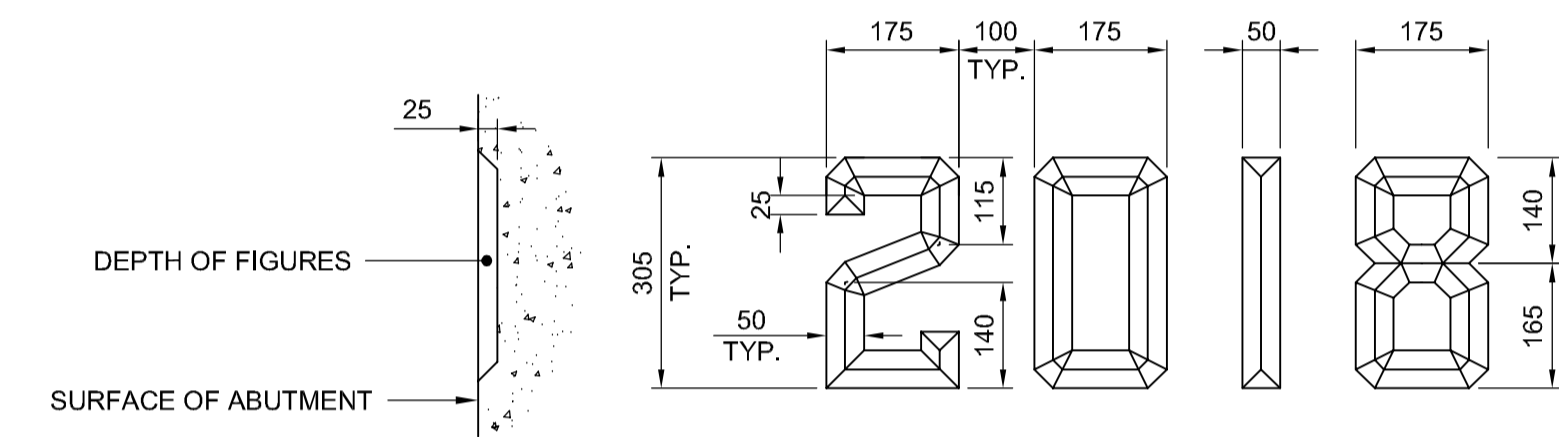


C SECTION
SCALE: 1:20



TYPICAL DATE STAMP LOCATION AT ABUTMENTS

LOCATION OF DATE STAMP
SCALE 1:10



DETAILS OF DATE FIGURES
SCALE 1:10

NOTES:

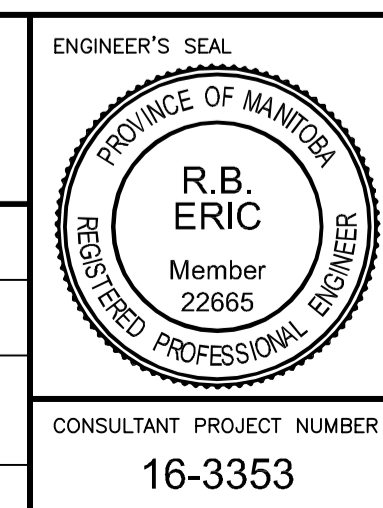
- DATES ON SU'S SHALL BE LOCATED ON THE FACE TOWARDS ZERO MILEAGE OF THE SUBDIVISION (EAST)

G:\CAD\163353\Technical Workspace\Engineering\Drawings and Figures\Structures\Contract\163353-C2-CON-CS-ABUT_CONC2.dwg



NO.	REVISIONS	DATE	BY	DATE
0	ISSUED FOR TENDER	17/01/09	RE	

		DESIGNED BY	RE	CHECKED BY	SSR
		DRAWN BY	CGC	APPROVED BY	DBW
HOR. SCALE		AS SHOWN		RELEASED FOR CONSTRUCTION	
VERTICAL SCALE		AS SHOWN			
CONSULTANT PROJECT NUMBER		16-3353			



		CITY DRAWING NUMBER	U-239-2016-C2-CS-018
WAVERLEY STREET UNDERPASS AT CN MILE 3.89 RIVERS SUB CONTRACT 2: UNDERPASS STRUCTURE, RAILWORKS, ROADWORKS, LAND DRAINAGE SEWER, PUMPING STATION AND LANDSCAPING WORKS		SHEET	018 OF 085
ABUTMENT SU.1 AND SU.5 CONCRETE DETAILS - SHEET 2		CONSULTANT DRAWING NUMBER	C2-CS-018