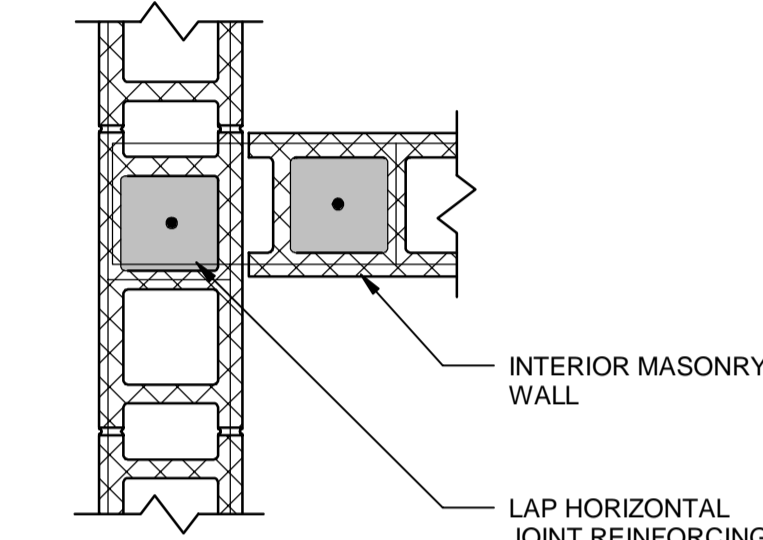
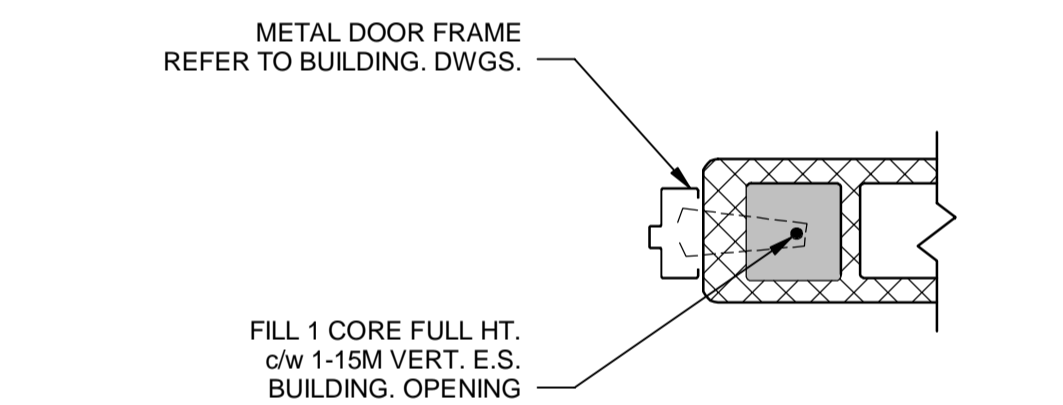


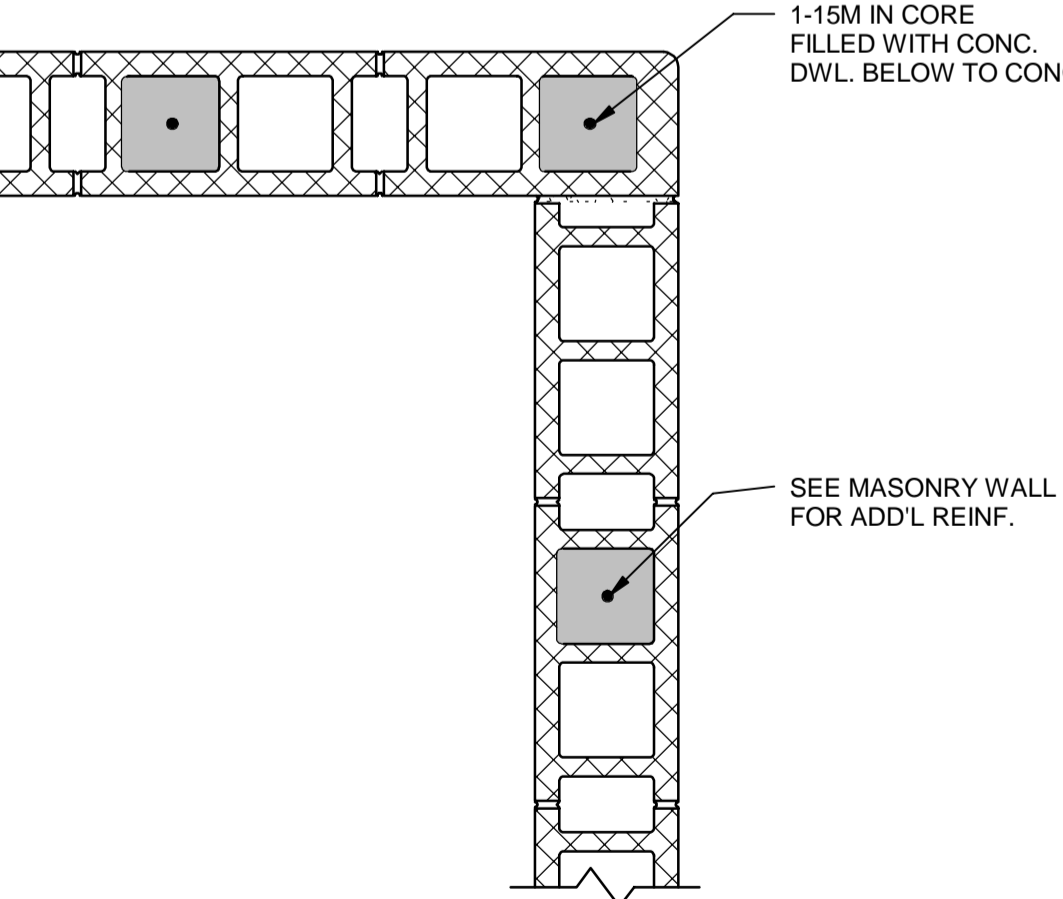
8 | STD CMU CONTROL JOINT DETAIL
 BS-004 | SCALE: 1 : 10



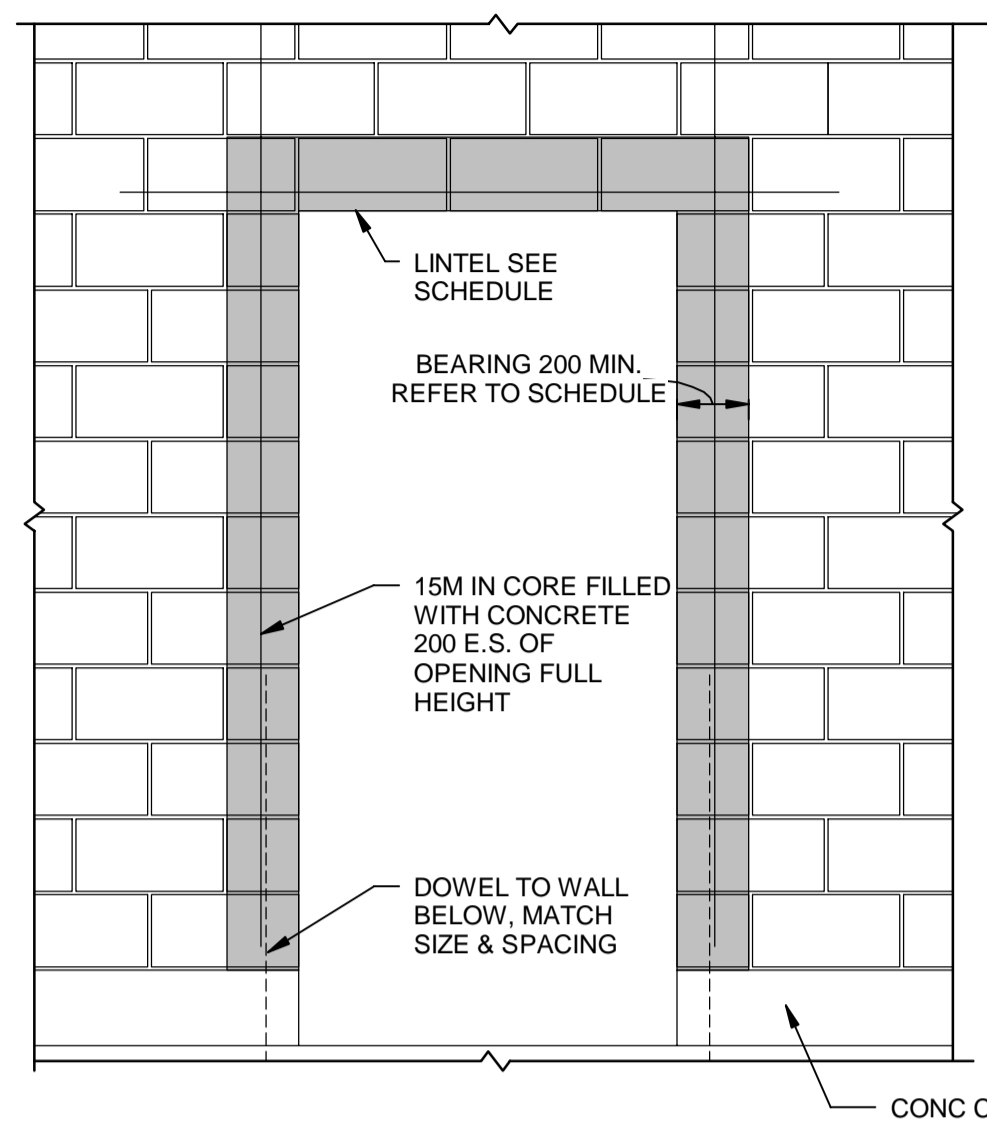
9 | STD CMU INTERSECTING WALL DETAIL
 BS-004 | SCALE: 1 : 10



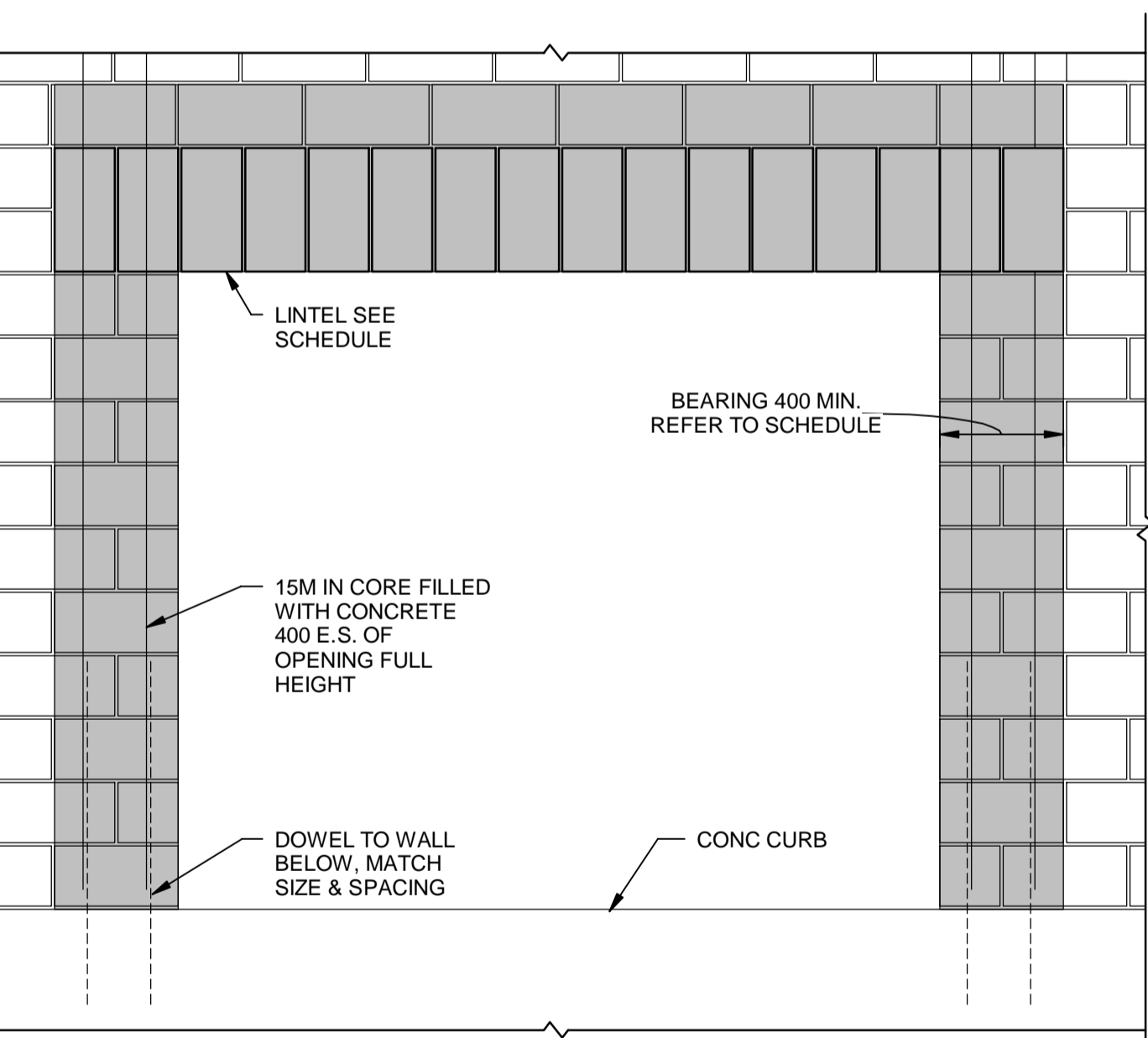
10 | STD CMU DOOR JAMB REINFORCING DETAIL
 BS-004 | SCALE: 1 : 10



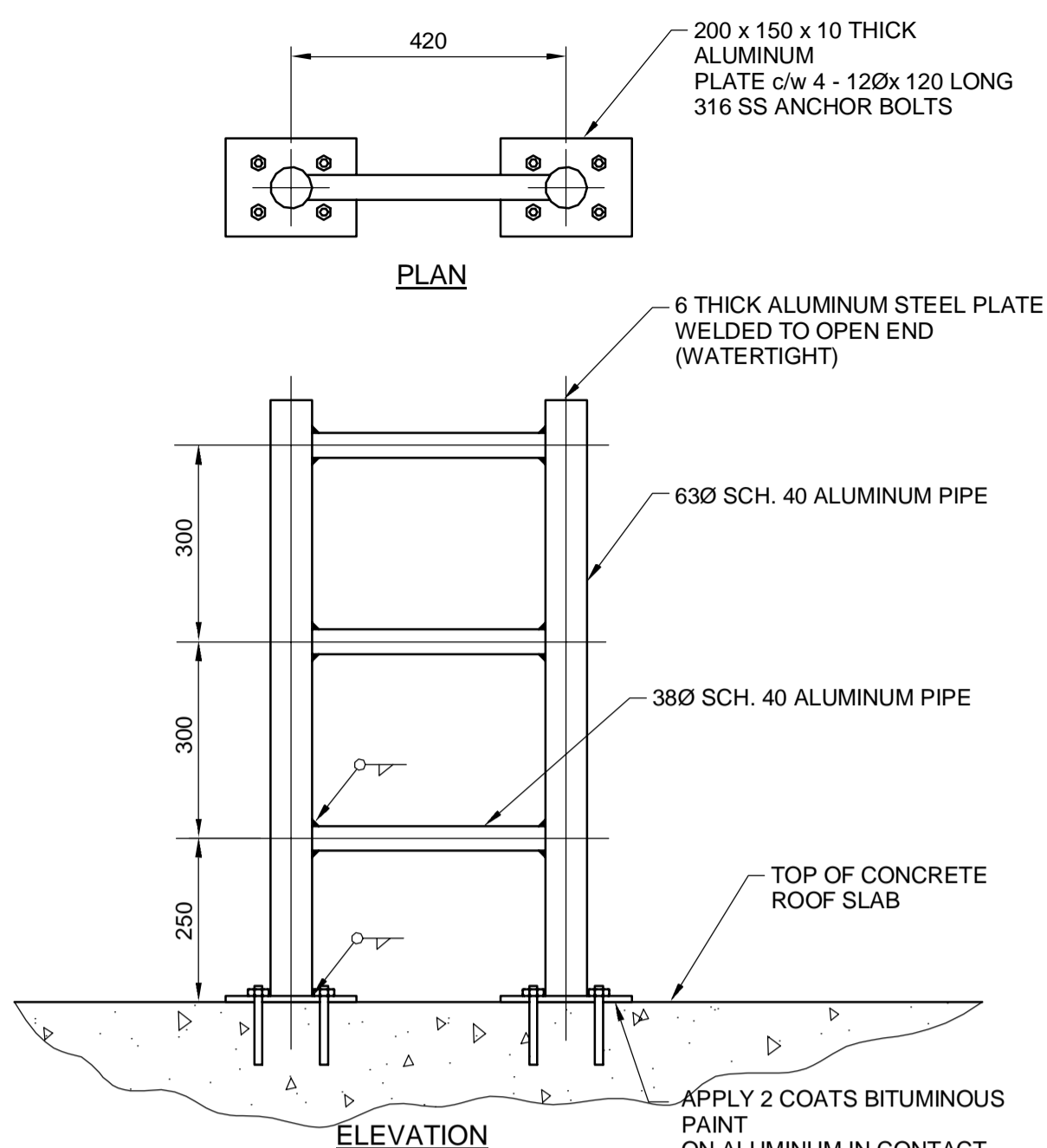
11 | STD CMU REINFORCING DETAIL
 BS-004 | SCALE: 1 : 10



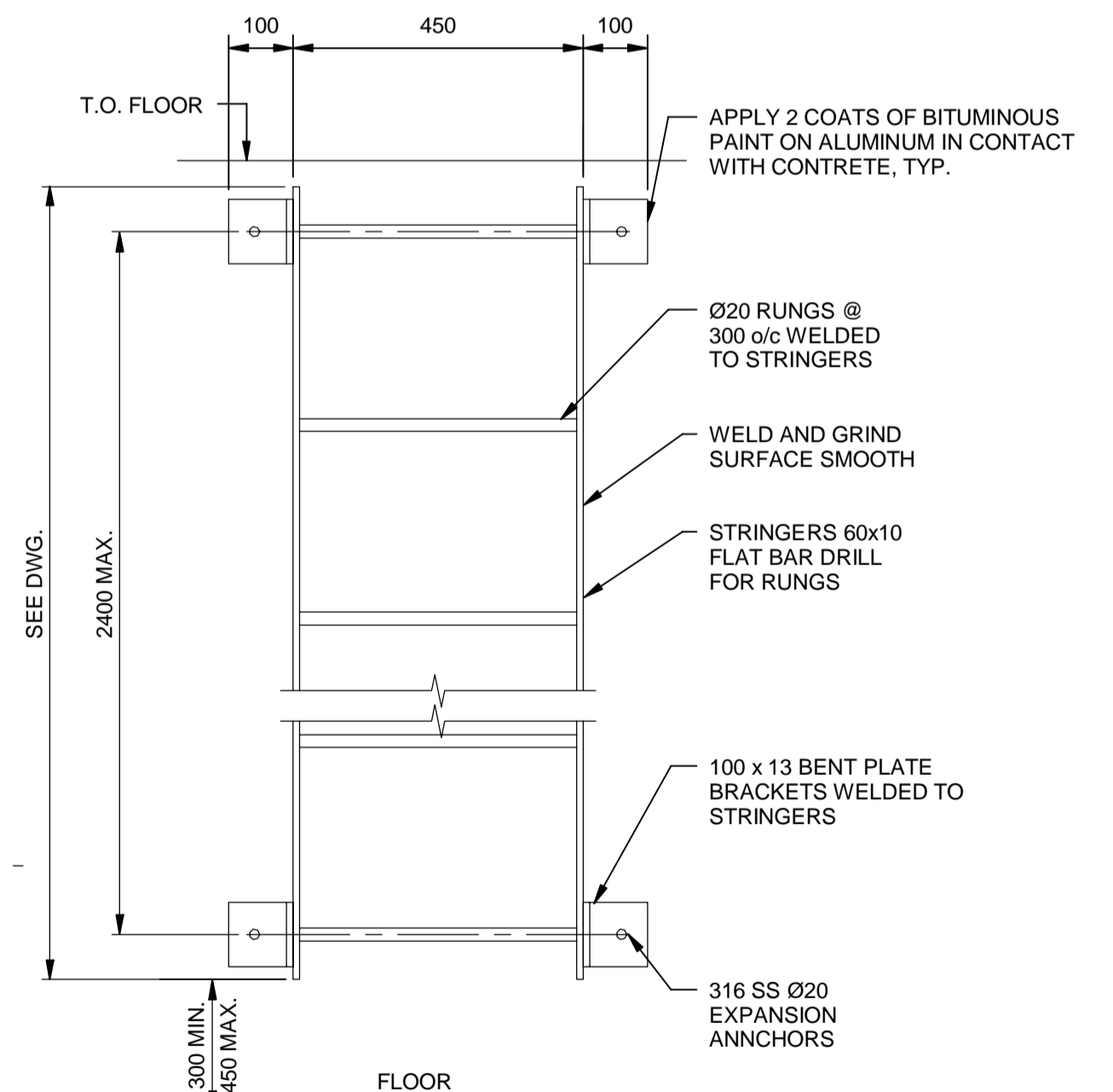
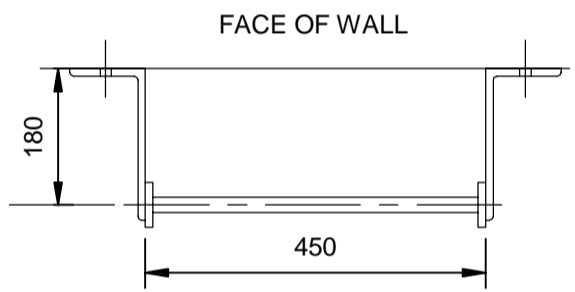
12 | STD CMU WALK-IN DOOR DETAIL
 BS-004 | SCALE: 1 : 20



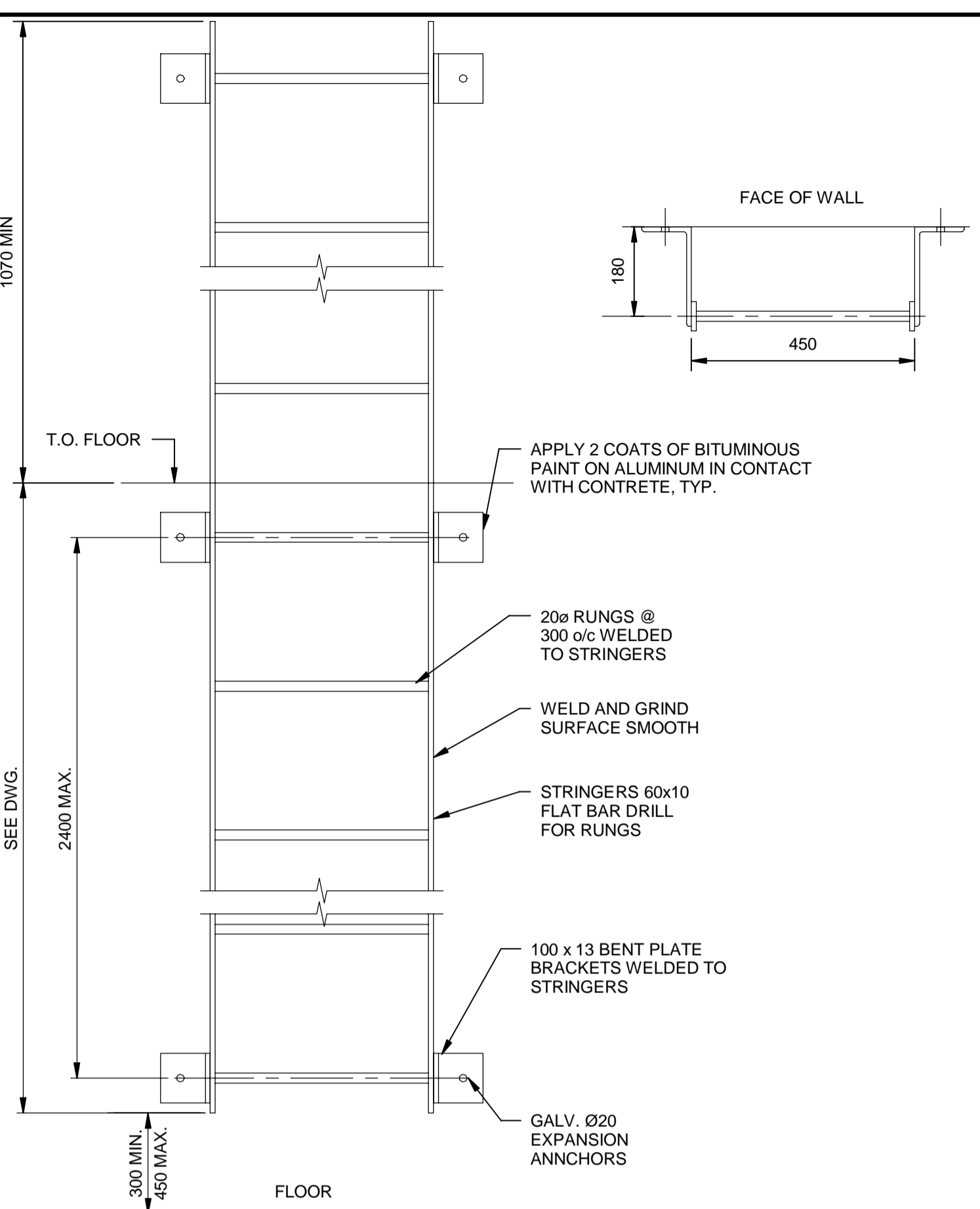
13 | STD DETAIL CMU LOUVER OPENING
 BS-004 | SCALE: 1 : 20



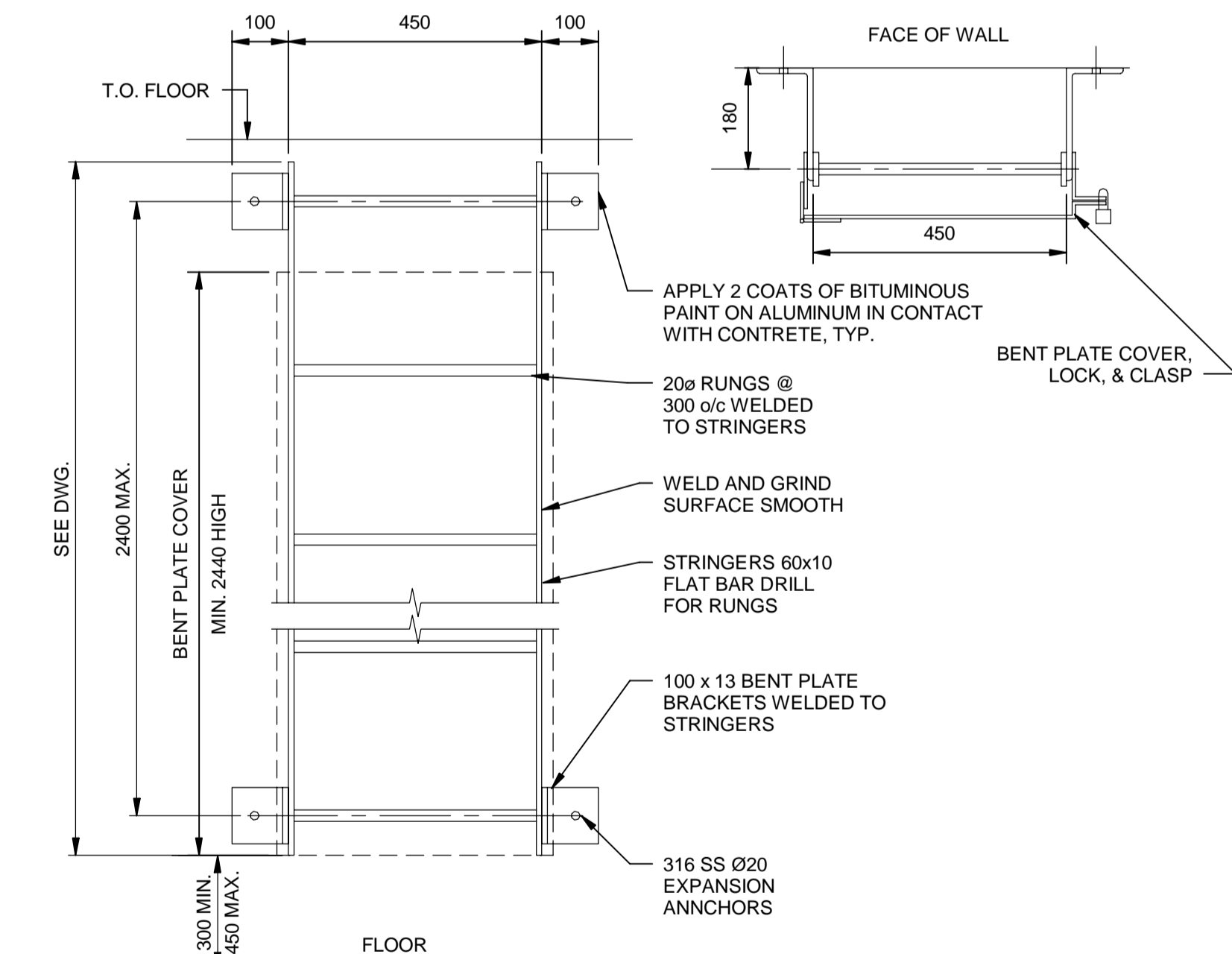
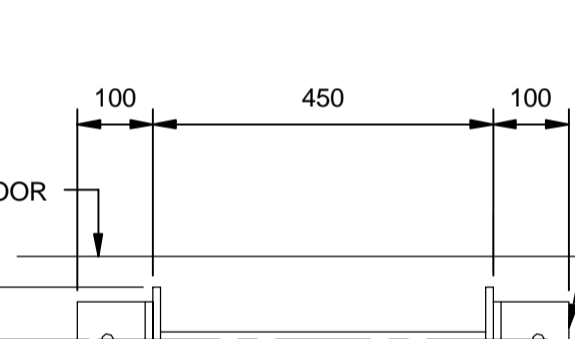
14 | STD DETAIL ALUM. HAND HOLD
 BS-004 | SCALE: 1 : 10



15 | TYPICAL ALUM. LADDER
 BS-004 | SCALE: 1 : 10



16 | TYPICAL ALUM. LADDER w/ EXTENSION
 BS-004 | SCALE: 1 : 10



17 | TYPICAL ALUM. LADDER w/ COVER PLATE
 BS-004 | SCALE: 1 : 10

MASONRY WALL VERTICAL REINFORCING SHALL BE INSTALLED AT ALL CORNERS IN MASONRY WALLS & AT END OF MASONRY WALLS.

11 | STD CMU REINFORCING DETAIL

APEGM
 Certificate of Authorization
 AECOM Canada Ltd.
 No. 4671 Date: _____

UNDERGROUND STRUCTURES				B.M. ELEV.
SUPV. U/G STRUCTURES	DATE			

LOCATION OF UNDERGROUND STRUCTURES AS SHOWN ARE BASED ON THE BEST INFORMATION AVAILABLE. BUT NO GUARANTEE IS GIVEN THAT ALL EXISTING UTILITIES ARE SHOWN OR THAT THE GIVEN LOCATIONS ARE EXACT. CONFIRMATION OF EXISTENCE AND EXACT LOCATION OF ALL SERVICES MUST BE OBTAINED FROM THE INDIVIDUAL UTILITIES BEFORE PROCEEDING WITH CONSTRUCTION.

AECOM			
DESIGNED BY	KK/JT	CHECKED BY	SBB
DRAWN BY	KK	APPROVED BY	AN
HOR. SCALE	AS SHOWN	RELEASED FOR CONSTRUCTION	
VERTICAL			
ISSUED FOR TENDER	17/01/09	DATE	06/01/2016
NO. REVISIONS		DATE	09/06/2016

ENGINEER'S SEAL
 PROVINCE OF MANITOBA
J.A. THOMPSON
 Member
 30632
 REGISTERED PROFESSIONAL ENGINEER

THE CITY OF WINNIPEG
 PUBLIC WORKS DEPARTMENT

Waverley Street Underpass at CN Mile 3.89 Rivers Sub
 CONTRACT 2: UNDERPASS STRUCTURE, RAILWORKS, ROADWORKS, LAND DRAINAGE SEWER, PUMPING STATION AND LANDSCAPING WORKS

CONSULTANT PROJECT NUMBER
 60321148

CITY DRAWING NUMBER
 U-239-2016-C2-BS-004
 SHEET 4 OF 16

CONSULTANT DRAWING NUMBER
 C2-BS-004

METRIC
 WHOLE NUMBERS INDICATE MILLIMETRES
 DECIMALIZED NUMBERS INDICATE METRES