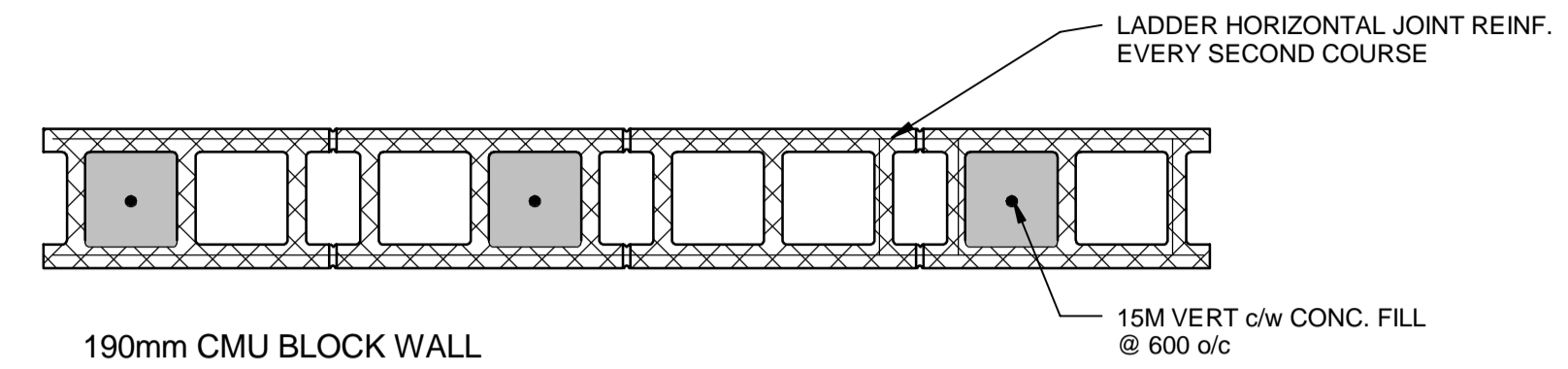


CONCRETE BEAM SCHEDULE							
MARK	WIDTH	DEPTH	REINFORCING BAR DETAILS				REMARKS
			TOP	BOTTOM	ADDITIONAL	STIRRUPS	
CB-1	300	600	2-25M	3-30M		10M @ 250 o/c	REFER TO DWG BS-402 FOR DETAILS
CB-2	450	800	2-25M	4-30M	2-20M MID E.F.	10M @ 200 o/c	REFER TO DWG BS-402 FOR DETAILS
CB-3	450	900	2-25M	3-30M		10M @ 250 o/c	REFER TO DWG BS-401 FOR DETAILS
CB-4	450	3625	2-25M	3-25M	20M @ 200 o/c E.F.	15M @ 300 o/c	REFER TO DWG BS-402 FOR DETAILS
CB-5	450	2160	2-25M	3-25M	20M @ 200 o/c E.F.	15M @ 300 o/c	REFER TO DWG BS-402 FOR DETAILS

MASONRY WALL SCHEDULE				
MARK	WIDTH	VERTICAL	HORIZONTAL	REMARKS
MW-1	190	1-15M @ 600 o/c	LADDER REINF	REFER TO STD DETAILS

CONCRETE SLAB SCHEDULE							
MARK	DEPTH	REINFORCING BAR DETAILS					REMARKS
		TUL REINF	TLL REINF	BUL REINF	BLL REINF	ADD'L REINF	
SL-1	750	25M @ 225 o/c	25M @ 225 o/c	25M @ 225 o/c	25M @ 225 o/c		BASE SLAB
SL-2	300	25M @ 200 o/c	15M @ 200 o/c	15M @ 200 o/c	15M @ 200 o/c		INTERMEDIATE SLAB
SL-3	600	20M @ 200 o/c	15M @ 200 o/c	15M @ 200 o/c	15M @ 200 o/c		INTERMEDIATE LEVEL PUMP PIPE SLAB
SL-4	250	15M @ 250 o/c	15M @ 400 o/c	15M @ 400 o/c	15M @ 250 o/c		MAIN LEVEL SLAB
SL-5	250	15M @ 250 o/c	15M @ 400 o/c	15M @ 400 o/c	15M @ 250 o/c		TRUCK SLAB
SL-6	300	15M @ 250 o/c	15M @ 400 o/c	15M @ 400 o/c	15M @ 250 o/c		ACCESS LEVEL SLAB
SL-7	100					152 x 152 x MW 9.1/MW 9.1 REINFORCING MESH	PLAZA DECK CONCRETE TOPPING

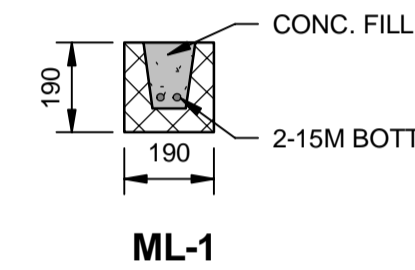


1 | STD CMU WALLS DETAIL

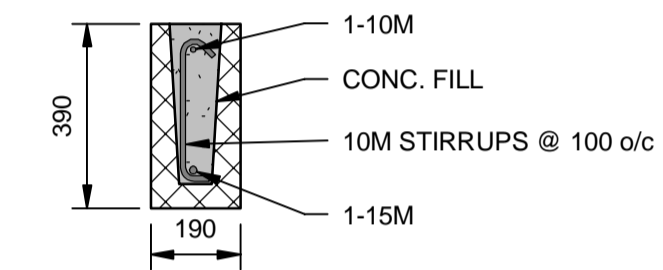
BS-002 SCALE: 1:10

CONCRETE WALL SCHEDULE					
MARK	THICKNESS	REINFORCING BAR DETAILS			REMARKS
		HORIZONTAL	VERTICAL	ADD'L	
CW-1	700	25M @ 175 o/c E.F.	25M @ 150 o/c E.F.		REFER TO DWG BS-401 FOR DETAILS
CW-2	700	25M @ 175 o/c E.F.	20M @ 175 o/c E.F.		REFER TO DWG BS-401 FOR DETAILS
CW-3	450	15M @ 200 o/c E.F.	15M @ 200 o/c I.F.	REFER TO DETAIL	REFER TO DWG BS-401 FOR DETAILS
CW-4	450	15M @ 200 o/c E.F.	15M @ 200 o/c I.F.	REFER TO DETAIL	REFER TO DWG BS-401 FOR DETAILS
CW-5	300			REFER TO DETAIL	REFER TO DWG BS-401 FOR DETAILS
CW-6	450	15M @ 175 o/c E.F.	15M @ 175 o/c E.F.	REFER TO DETAIL	REFER TO DWG BS-401 FOR DETAILS
CW-7	200	15M @ 200 o/c	15M @ 200 o/c		REFER TO DWG BS-402 FOR DETAILS

MASONRY LINTEL SCHEDULE					
MARK	DEPTH	TOP REINF	BOTTOM REINF	STIRRUPS	REMARKS
ML-1	190		2-15M		
ML-2	390	1-10M	1-15M	10M @ 100 o/c	

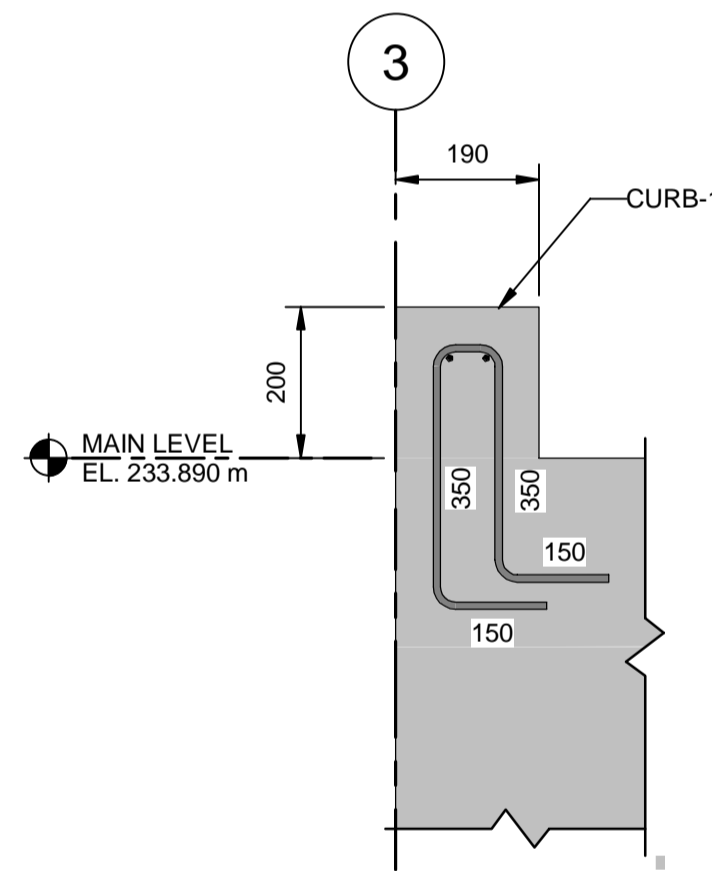


ML-1



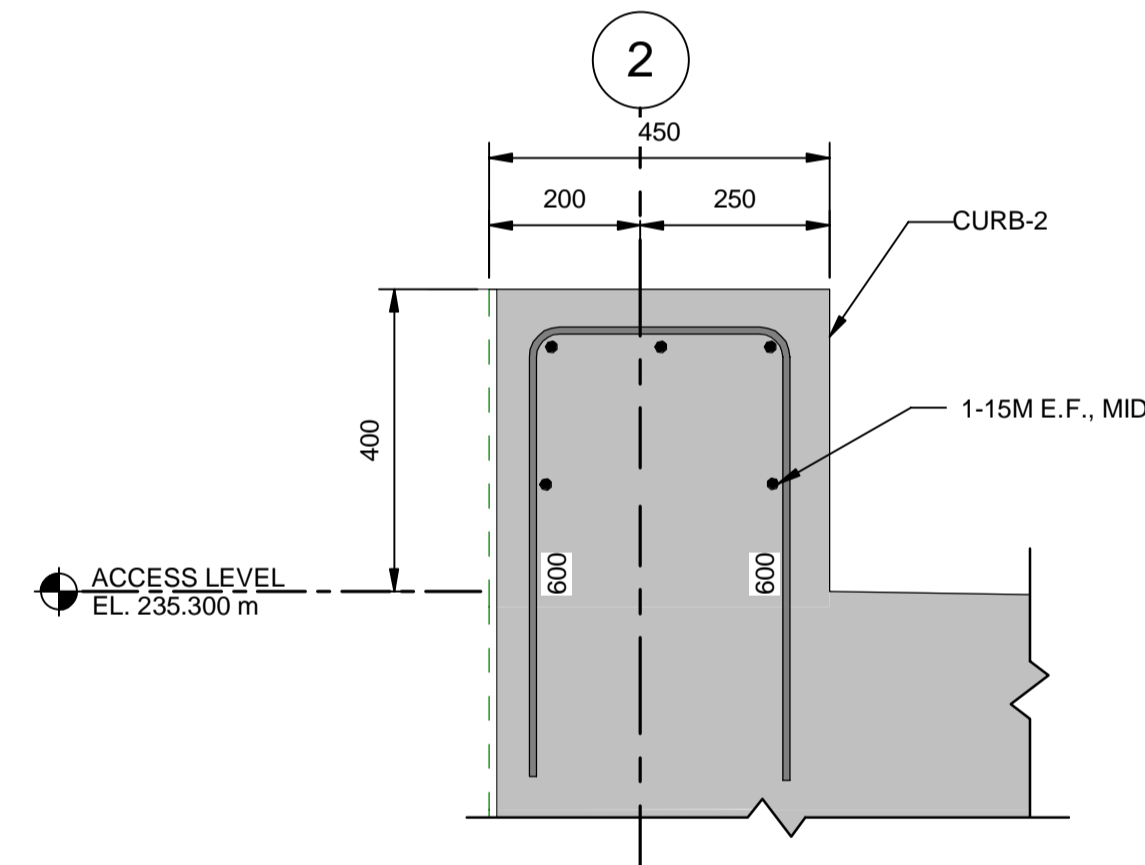
ML-2

CONCRETE CURB SCHEDULE					
MARK	WIDTH	DEPTH	REINFORCING BAR DETAILS		REMARKS
			HORIZONTAL	STIRRUPS	
CURB-1	190	200	2-10M	10M @ 200 o/c	
CURB-2	450	400	3-15M, 1-15M E.F. MID	10M @ 175 o/c	
CURB-3	200	200, MIN.	2-10M	10M @ 200 o/c	
CURB-4	190	100	2-10M	10M @ 200 o/c	
CURB-5	300	200	2-10M	10M @ 200 o/c	
CURB-6	450	200	2-15M	10M @ 200 o/c	



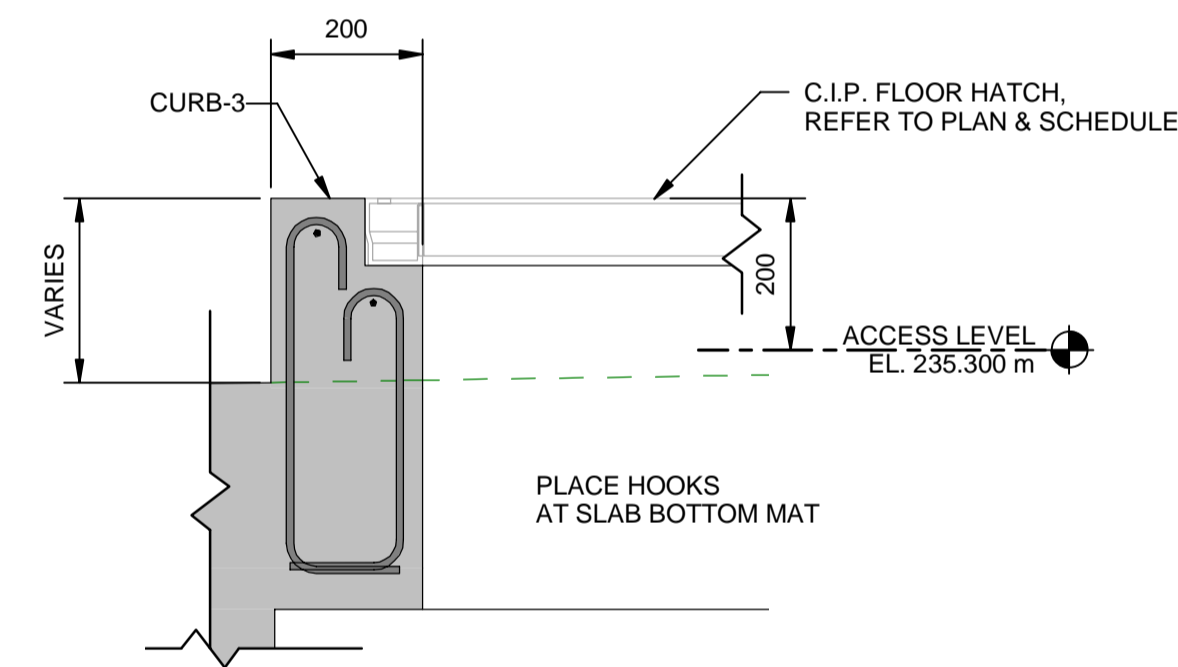
2 | CURB-1 DETAIL

BS-002 SCALE: 1:10



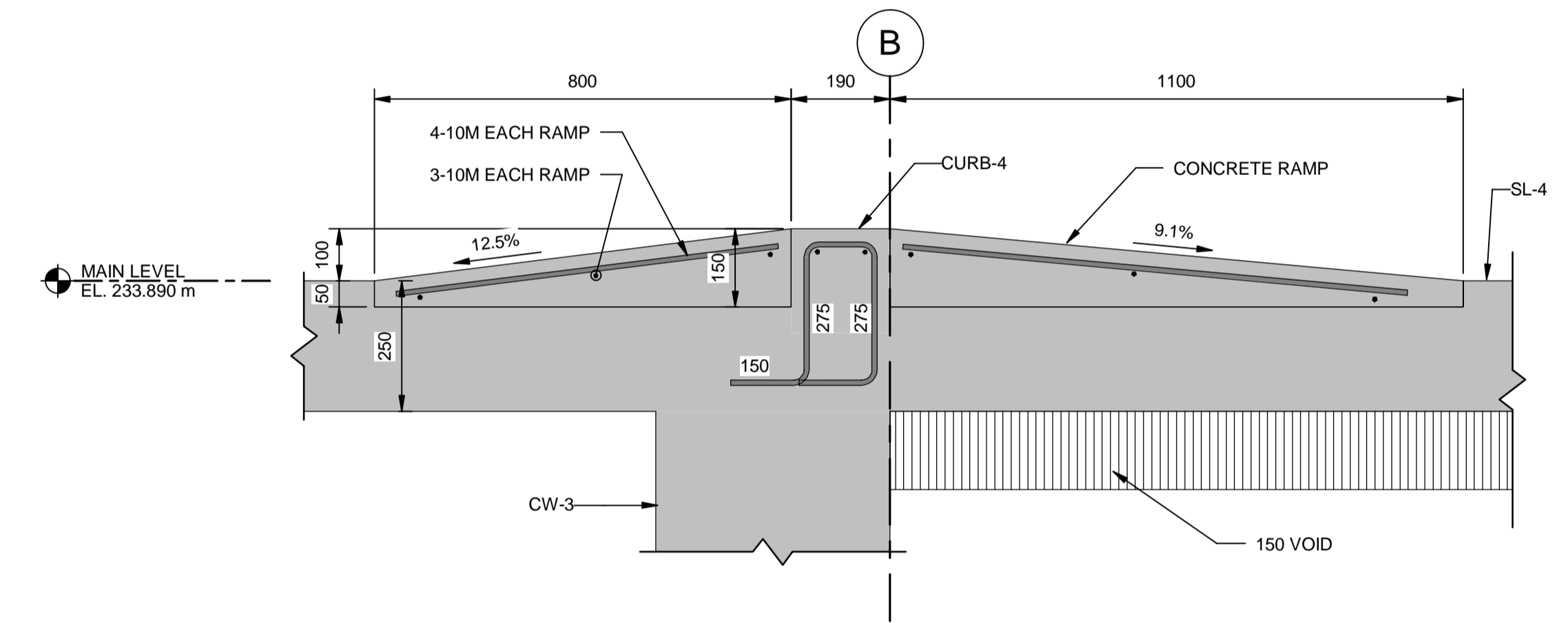
3 | CURB-2 DETAIL

BS-002 SCALE: 1:10



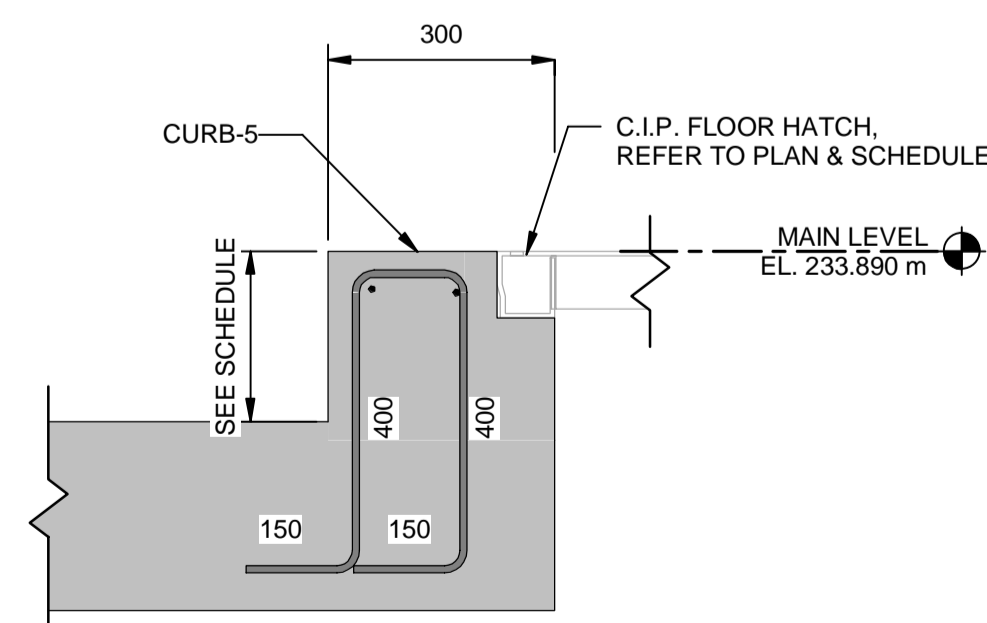
4 | CURB-3 DETAIL

BS-002 SCALE: 1:10



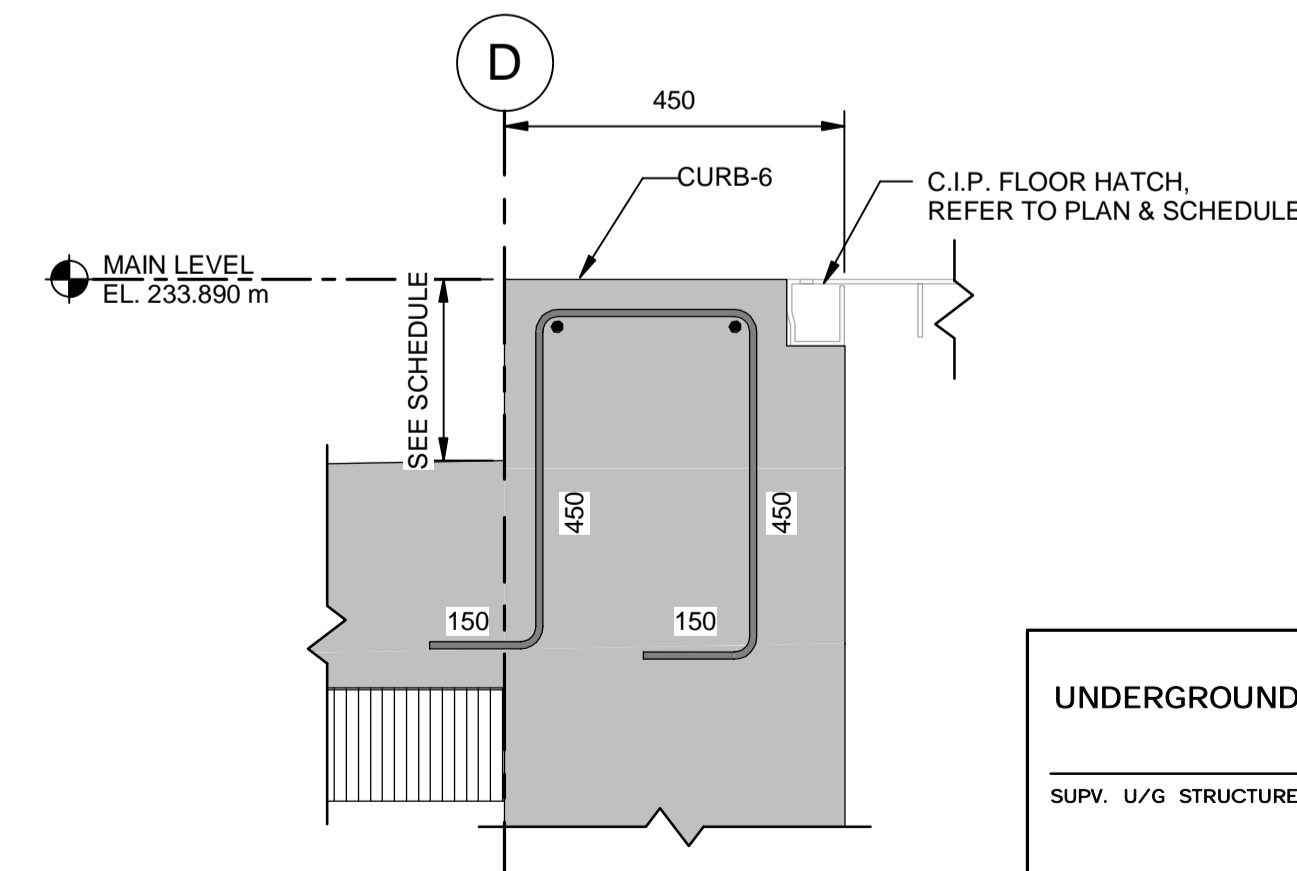
5 | CURB-4 DETAIL

BS-002 SCALE: 1:10



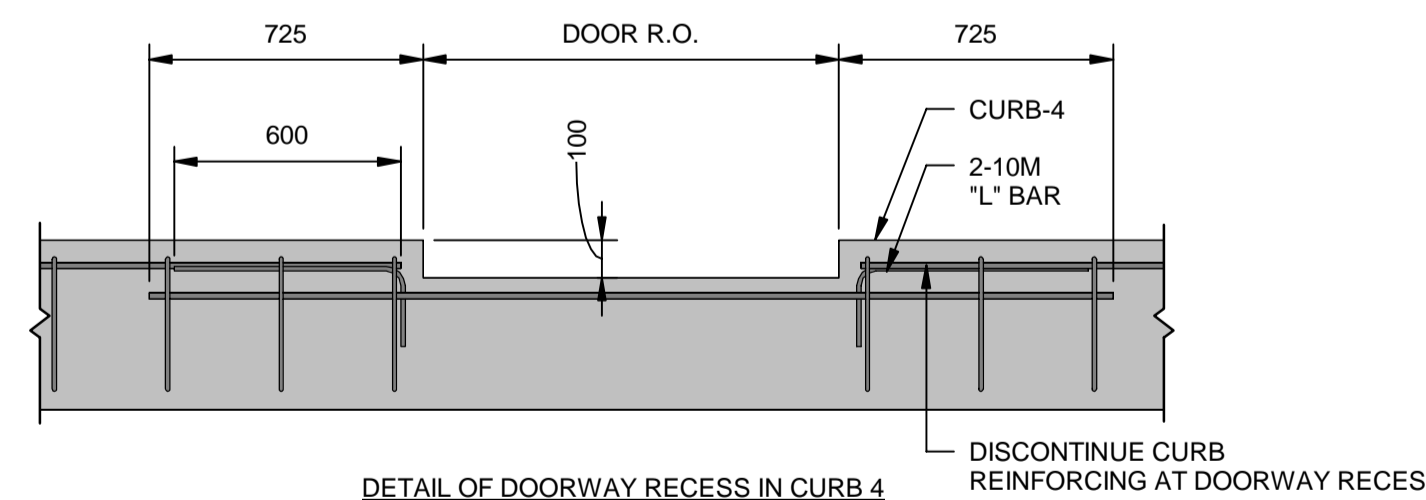
6 | CURB-5 DETAIL

BS-002 SCALE: 1:10



7 | CURB-6 DETAIL

BS-002 SCALE: 1:10



9 | IN PERIMETER WALL

BS-002 SCALE: 1:20



METRIC
WHOLE NUMBERS INDICATE MILLIMETRES
DECIMALIZED NUMBERS INDICATE METRES

UNDERGROUND STRUCTURES		B.M. ELEV.	DESIGNED BY		CHECKED BY		ENGINEER'S SEAL		THE CITY OF WINNIPEG PUBLIC WORKS DEPARTMENT	
SUPPLY	U/G STRUCTURES	DATE	KK/JT		SBB					
LOCATION OF UNDERGROUND STRUCTURES AS SHOWN ARE BASED ON THE BEST INFORMATION AVAILABLE BUT NO GUARANTEE IS GIVEN THAT ALL EXISTING UTILITIES ARE SHOWN OR THAT THE GIVEN LOCATIONS ARE EXACT. CONFIRMATION OF EXISTENCE AND EXACT LOCATION OF ALL SERVICES MUST BE OBTAINED FROM THE INDIVIDUAL UTILITIES BEFORE PROCEEDING WITH CONSTRUCTION.			DESIGNED BY KK/JT		CHECKED BY SBB		CONSULTANT PROJECT NUMBER 60321148		WAVERLEY STREET UNDERPASS AT CN MILE 3.89 RIVERS SUB CONTRACT 2: UNDERPASS STRUCTURE, RAILWORKS, ROADWORKS, LAND DRAINAGE SEWER, PUMPING STATION AND LANDSCAPING WORKS	
			DRAWN BY KK		APPROVED BY AN				CITY DRAWING NUMBER U-239-2016-C2-BS-002	
			HOR. SCALE AS SHOWN		RELEASED FOR CONSTRUCTION				SHEET 2 OF 16	
			VERTICAL AS SHOWN		DATE 06/01/2016				CONSULTANT DRAWING NUMBER C2-BS-002	
			NO. REVISIONS DATE BY		DATE 09/06/2016				PUMPING STATION SCHEDULES	