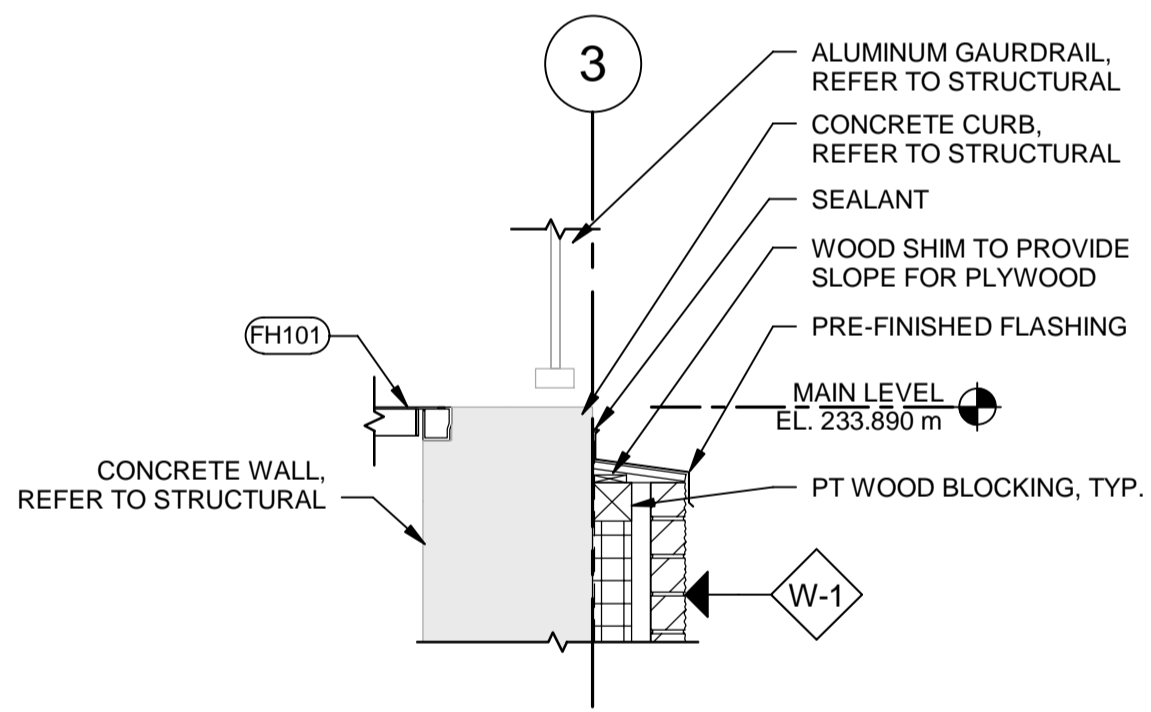


C | SECTION

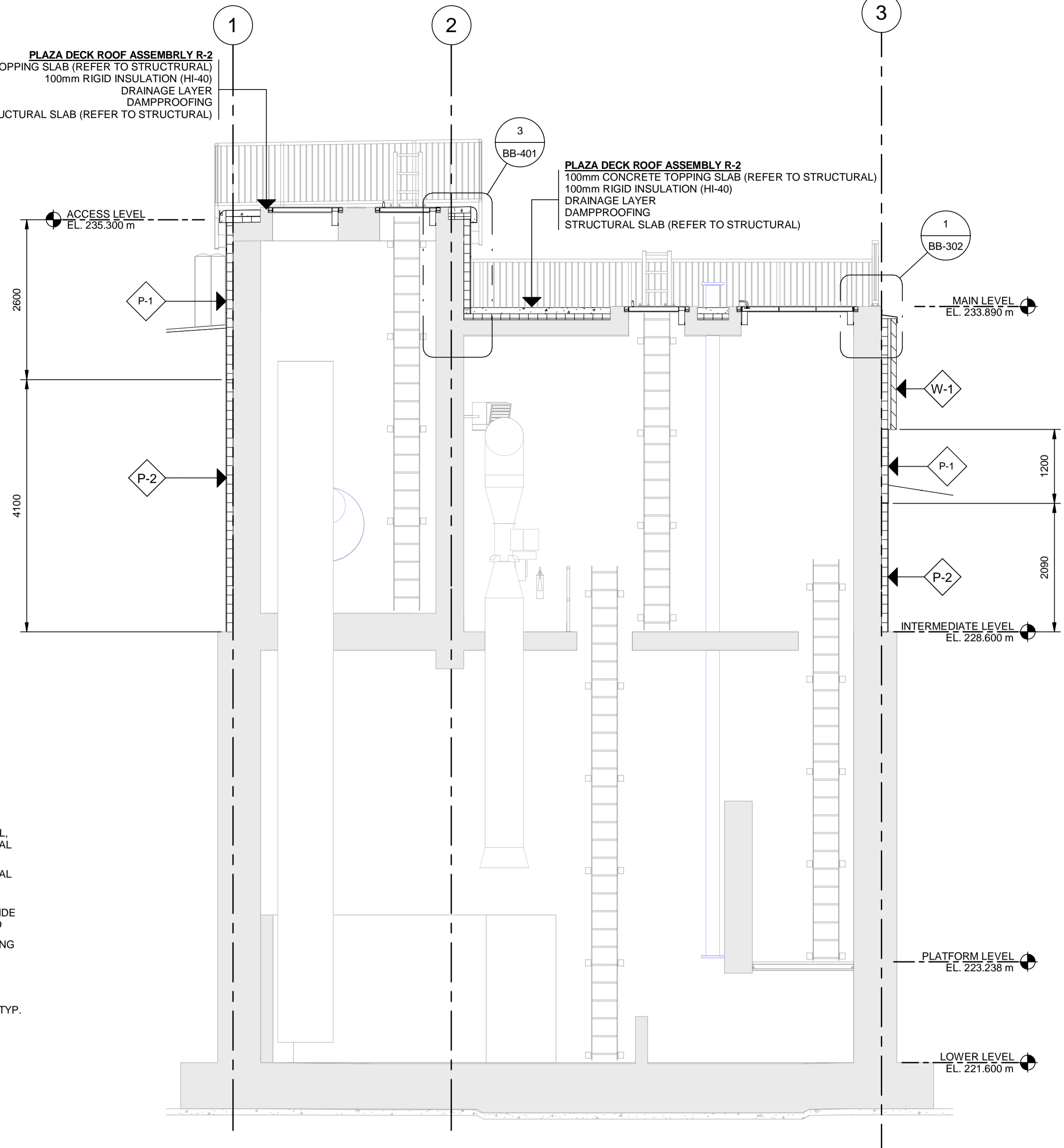
BB-302 REF: BB-101 SCALE: 1 : 50

FOUNDATION CONCRETE SHOWN FOR CLARITY,
REFER TO STRUCTURAL FOR DETAILS



1 | DETAIL

BB-302 REF: BB-302 SCALE: 1 : 20



D | SECTION

BB-302 REF: BB-101 SCALE: 1 : 50

FOUNDATION CONCRETE SHOWN FOR CLARITY,
REFER TO STRUCTURAL FOR DETAILS

METRIC
WHOLE NUMBERS INDICATE MILLIMETRES
DECIMALIZED NUMBERS INDICATE METRES

P:\60321148\900-Work\910-CAD\99-SUPPORT\PROJECT_TITLE_BLOCKS\Title Block for Pump Station works\163383-XTB-C1-CU.dwg



UNDERGROUND STRUCTURES		B.M. ELEV.	
SUPV. U/G STRUCTURES	DATE		
LOCATION OF UNDERGROUND STRUCTURES AS SHOWN ARE BASED ON THE BEST INFORMATION AVAILABLE. BUT NO GUARANTEE IS GIVEN THAT ALL EXISTING UTILITIES ARE SHOWN OR THAT THE GIVEN LOCATIONS ARE EXACT. CONFIRMATION OF EXISTENCE AND EXACT LOCATION OF ALL SERVICES MUST BE OBTAINED FROM THE INDIVIDUAL UTILITIES BEFORE PROCEEDING WITH CONSTRUCTION.			
O	ISSUED FOR TENDER	17/01/09	KK
NO.	REVISIONS	DATE	BY
		06/01/2016	
		DATE	06/21/16

AECOM	
DESIGNED BY KK	CHECKED BY GGP
DRAWN BY KK	APPROVED BY AN
HOR. SCALE AS SHOWN	RELEASED FOR CONSTRUCTION
VERTICAL	DATE
	06/21/16

ENGINEER'S SEAL
PROVINCE OF MANITOBA
S.B. BISWANGER
REGISTERED PROFESSIONAL ENGINEER
CONSULTANT PROJECT NUMBER
60321148

THE CITY OF WINNIPEG
PUBLIC WORKS DEPARTMENT
Winnipeg
WAVERLEY STREET UNDERPASS AT CN MILE 3.89 RIVERS SUB
CONTRACT 2: UNDERPASS STRUCTURE, RAILWORKS,
ROADWORKS, LAND DRAINAGE SEWER, PUMPING STATION
AND LANDSCAPING WORKS
PUMPING STATION SECTIONS

CITY DRAWING NUMBER U-239-2016-C2-BB-302
SHEET 8 OF 9
CONSULTANT DRAWING NUMBER C2-BB-302