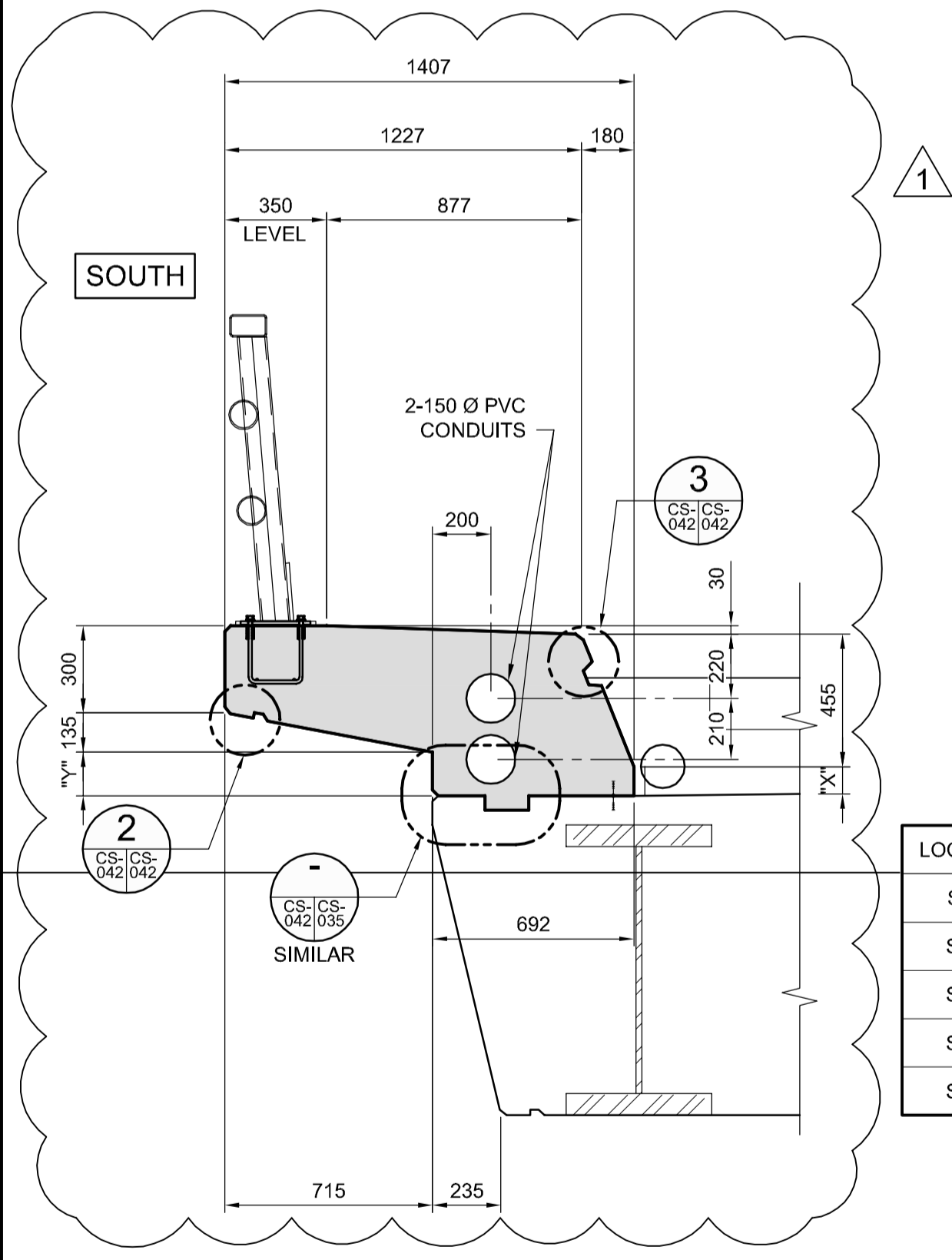
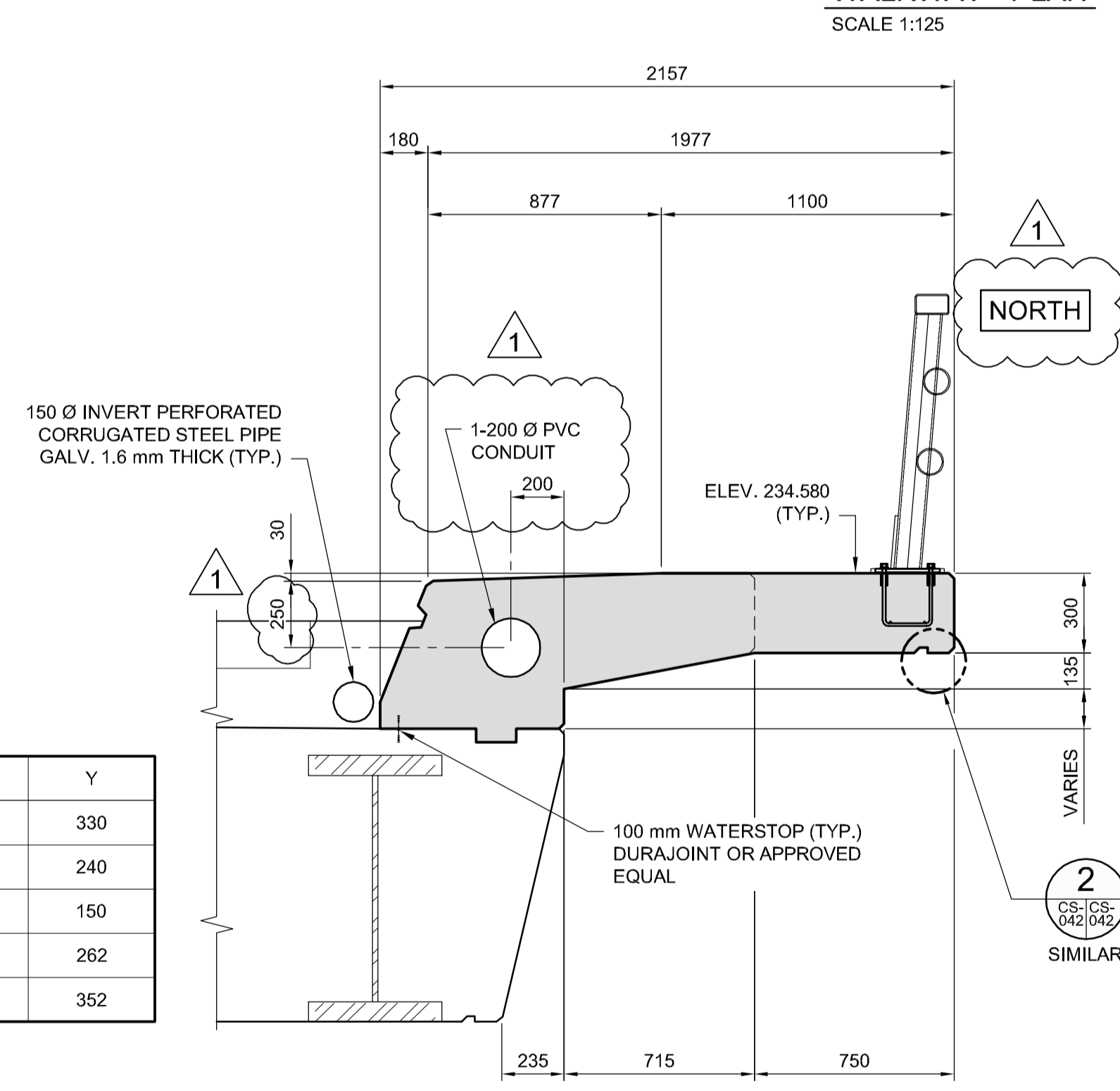


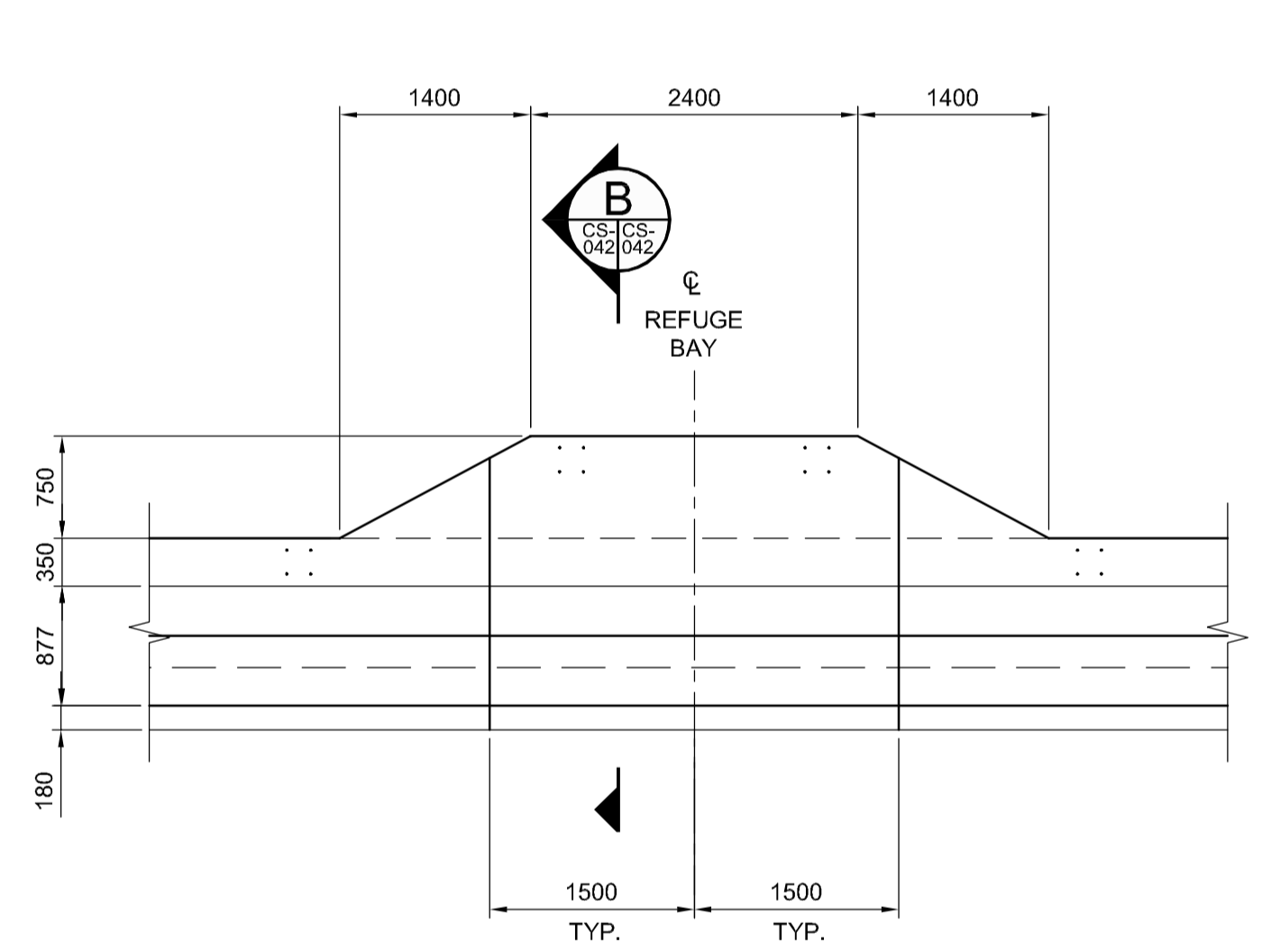
**WALKWAY - PLAN**  
SCALE 1:125



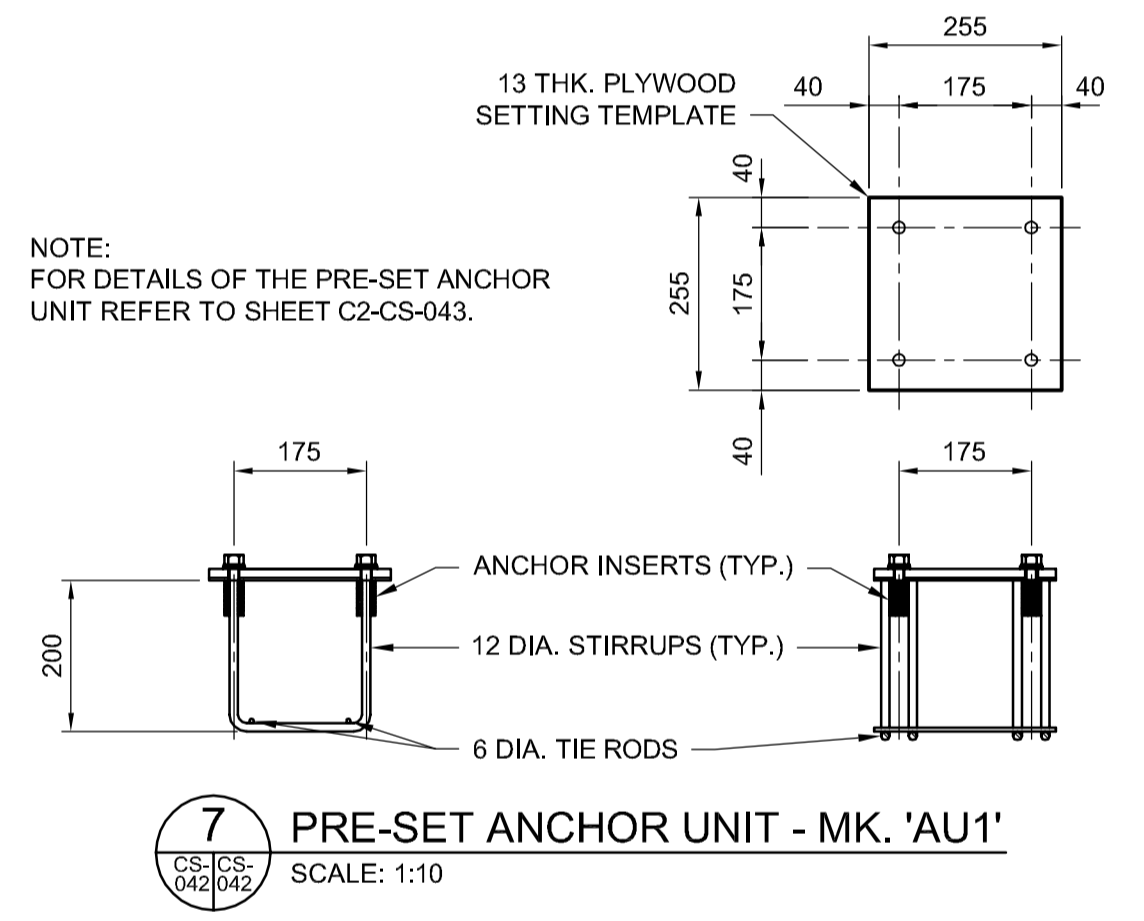
**A SECTION**  
SCALE 1:20



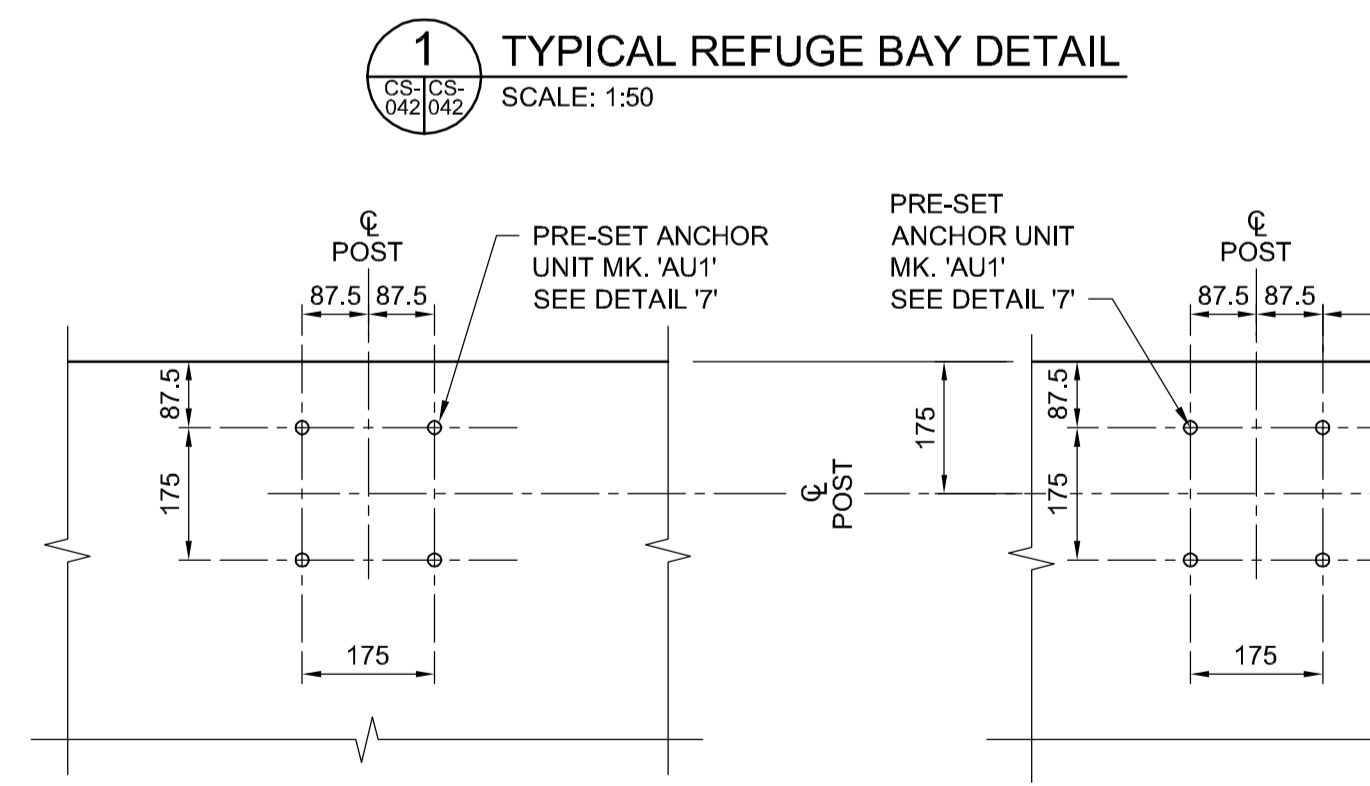
**B SECTION**  
SCALE 1:20



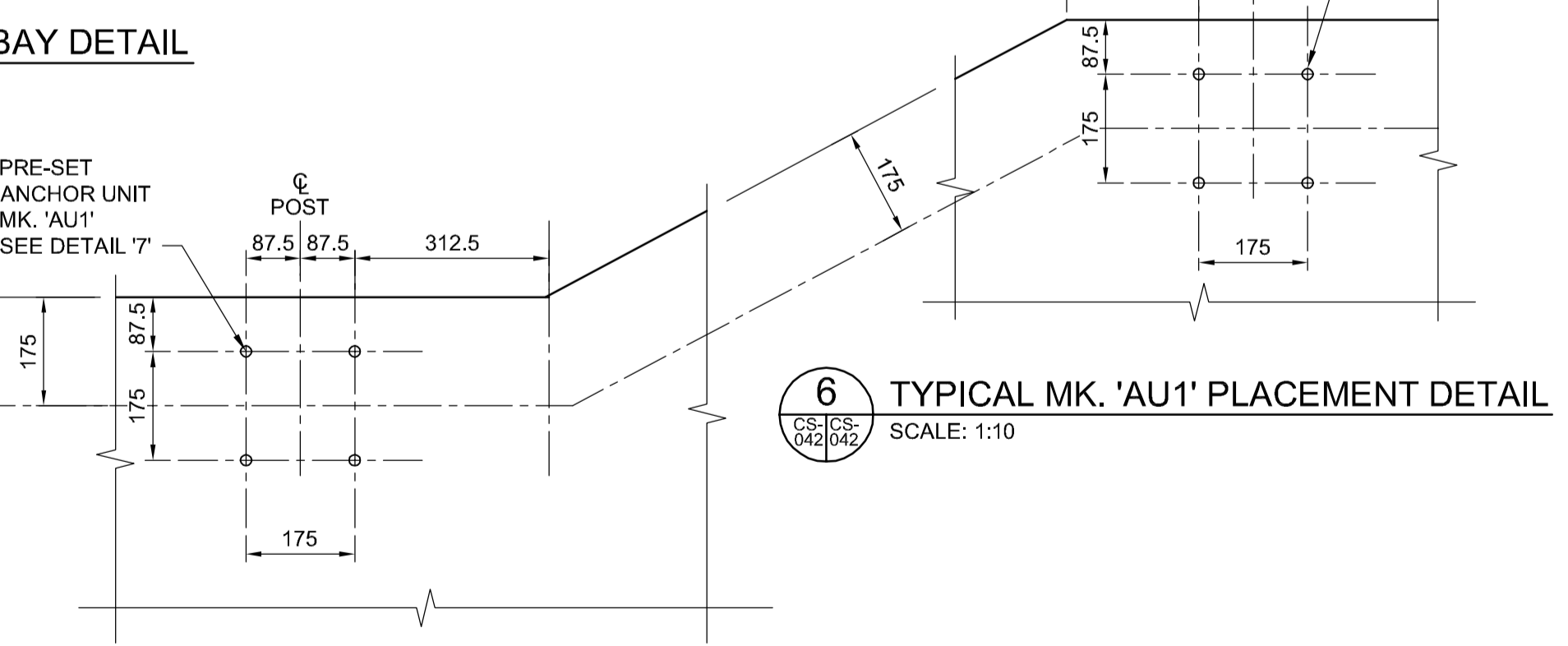
**1 TYPICAL REFUGE BAY DETAIL**  
SCALE 1:50



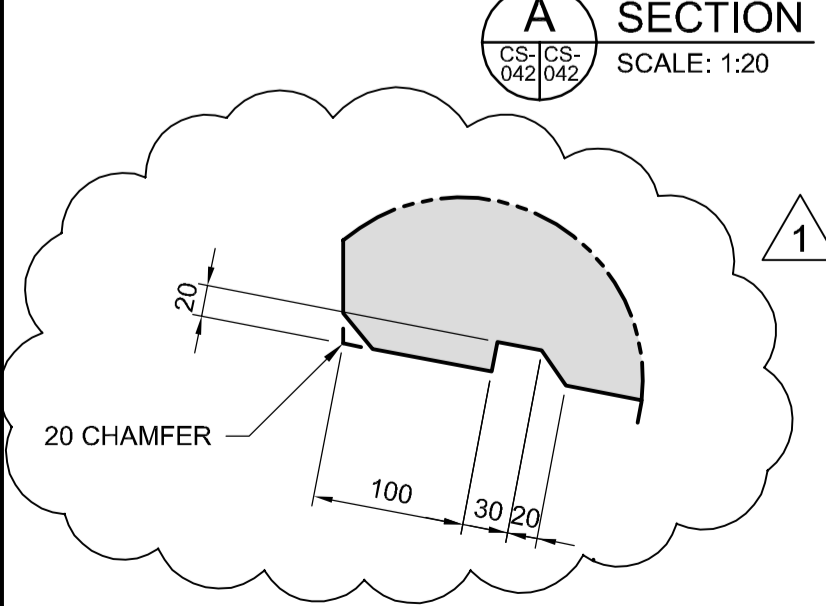
**7 PRE-SET ANCHOR UNIT - MK. 'AU1'**  
SCALE 1:10



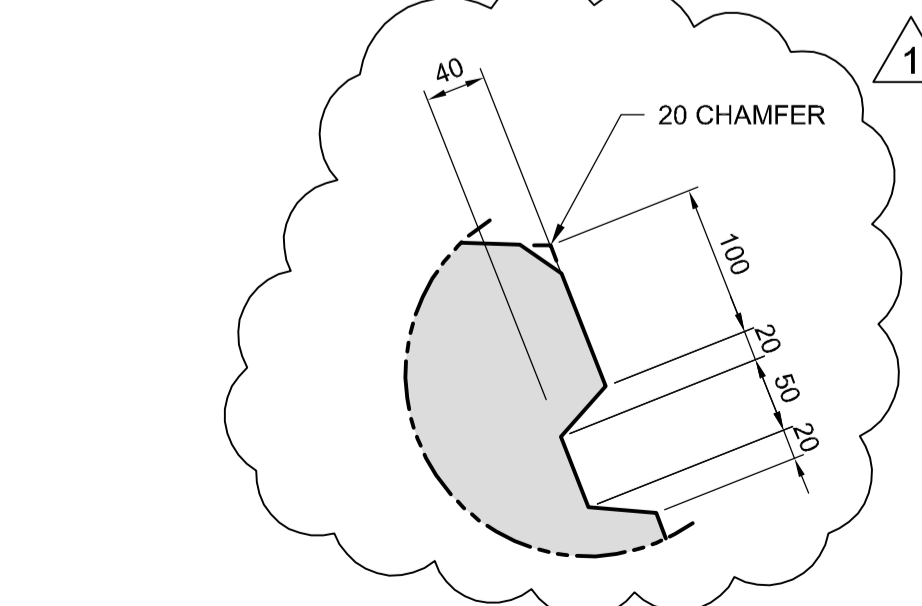
**4 TYPICAL MK. 'AU1' PLACEMENT DETAIL**  
SCALE 1:10



**5 TYPICAL MK. 'AU1' PLACEMENT DETAIL**  
SCALE 1:10



**2 DRIP GROOVE DETAIL**  
SCALE 1:5



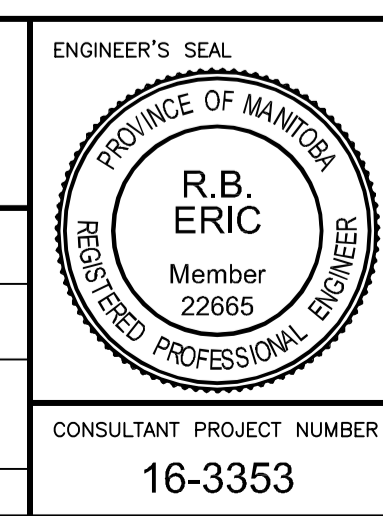
**3 MEMBRANE ANCHORING RIGLET - CONTINUOUS**  
SCALE 1:5

- NOTES:**
- FOR GENERAL NOTES SEE SHEET C2-CS-001.
  - FOR CONCRETE NOTES SEE SHEET C2-CS-001.
  - ALL EXPOSED EDGES TO BE CHAMFERED 20 mm UNLESS NOTED OTHERWISE.
  - CONCRETE FINISHES SHALL BE AS PER SPECIFICATION.



NO.	REVISIONS	DATE	BY	DATE
1	ADDENDUM #5	17/03/01	RE	
0	ISSUED FOR TENDER	17/01/09	RE	

DESIGNED BY	RE	CHECKED BY	SSR
DRAWN BY	NBG	APPROVED BY	DBW
HOR. SCALE	AS SHOWN	RELEASED FOR CONSTRUCTION	
VERTICAL	AS SHOWN	DATE	



**THE CITY OF WINNIPEG**  
PUBLIC WORKS DEPARTMENT

Waverley Street Underpass at CN Mile 3.89 Rivers Sub  
Contract 2: Underpass Structure, Railworks,  
Roadworks, Land Drainage Sewer, Pumping Station  
and Landscaping Works

CITY DRAWING NUMBER  
U-239-2016-C2-CS-042

SHEET 042 OF 085

CONSULTANT DRAWING NUMBER  
C2-CS-042

TRAINMAN'S WALKWAY LAYOUT