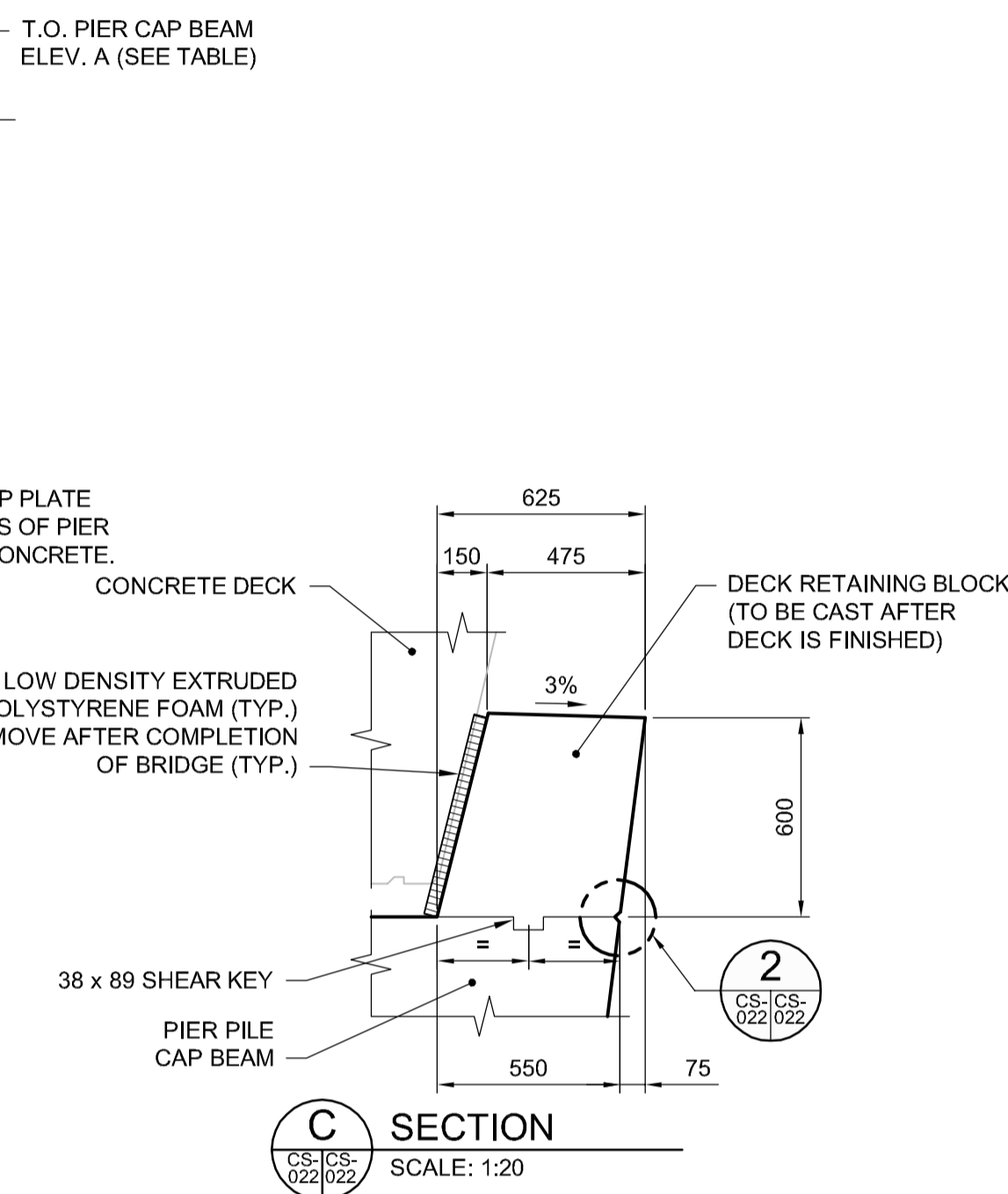
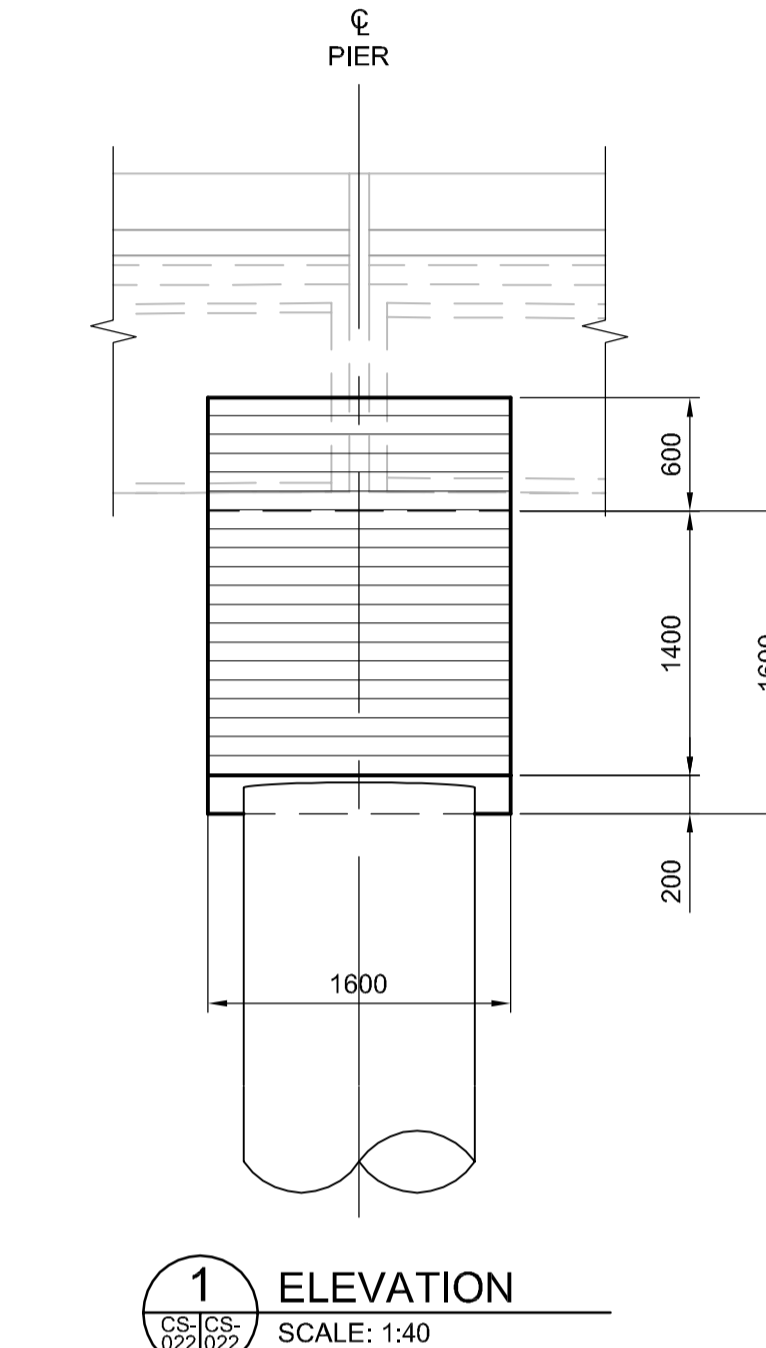


**ELEVATION**  
SCALE: 1:40  
TYPICAL PIER  
SU. 3 SHOWN, SU. 2 & SU. 4 SIMILAR

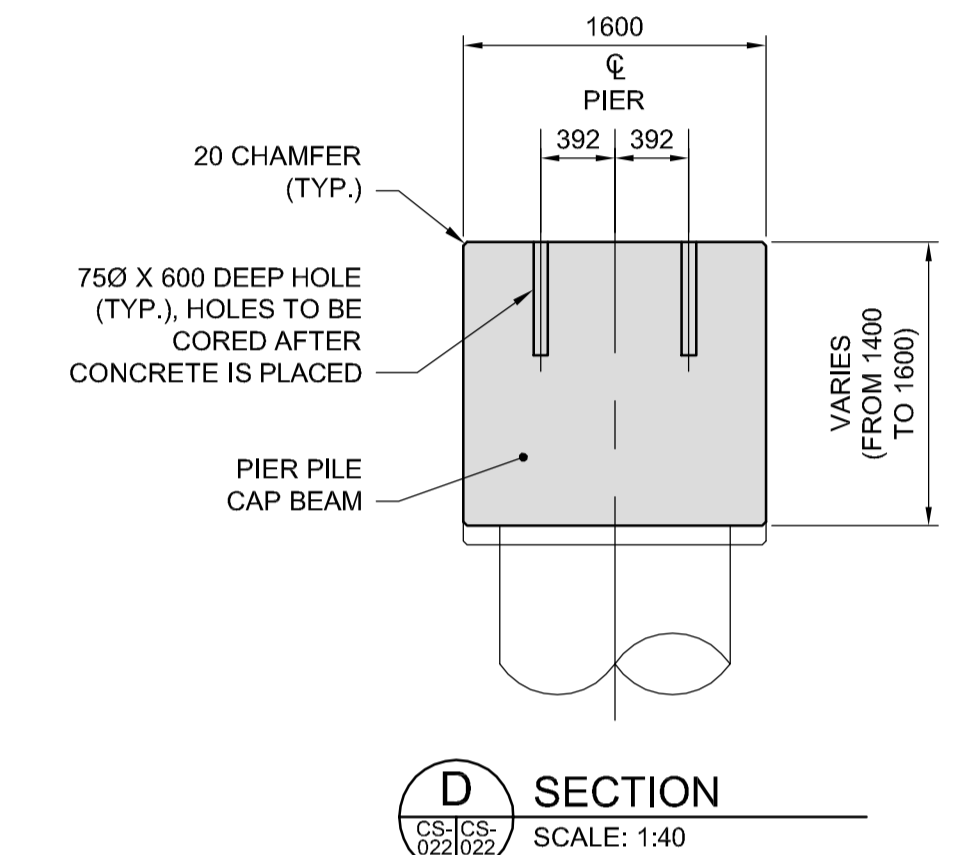
LOCATION	ELEV. A
SU. 2	232.695
SU. 3	232.785
SU. 4	232.673



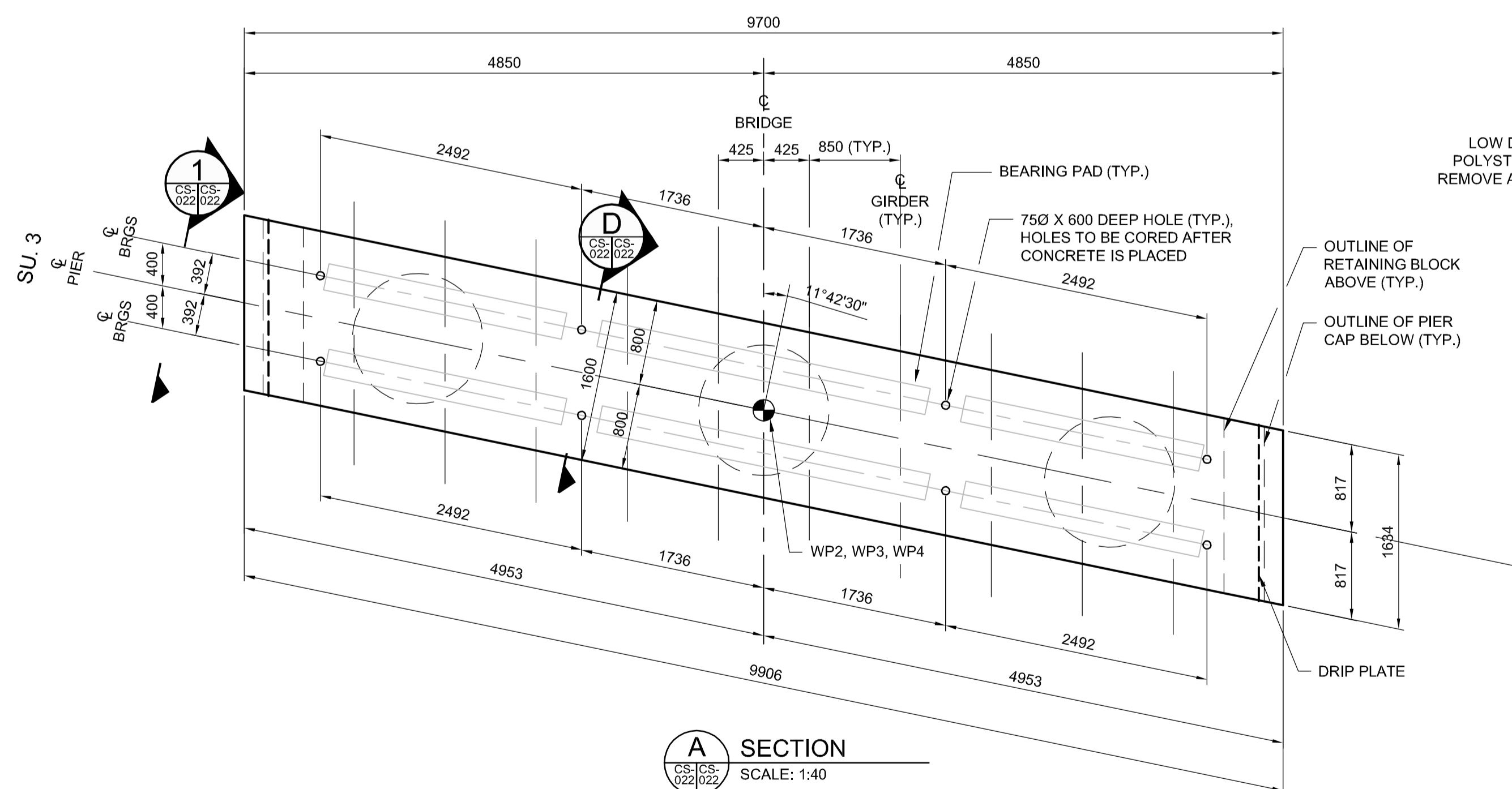
**C SECTION**  
SCALE: 1:20



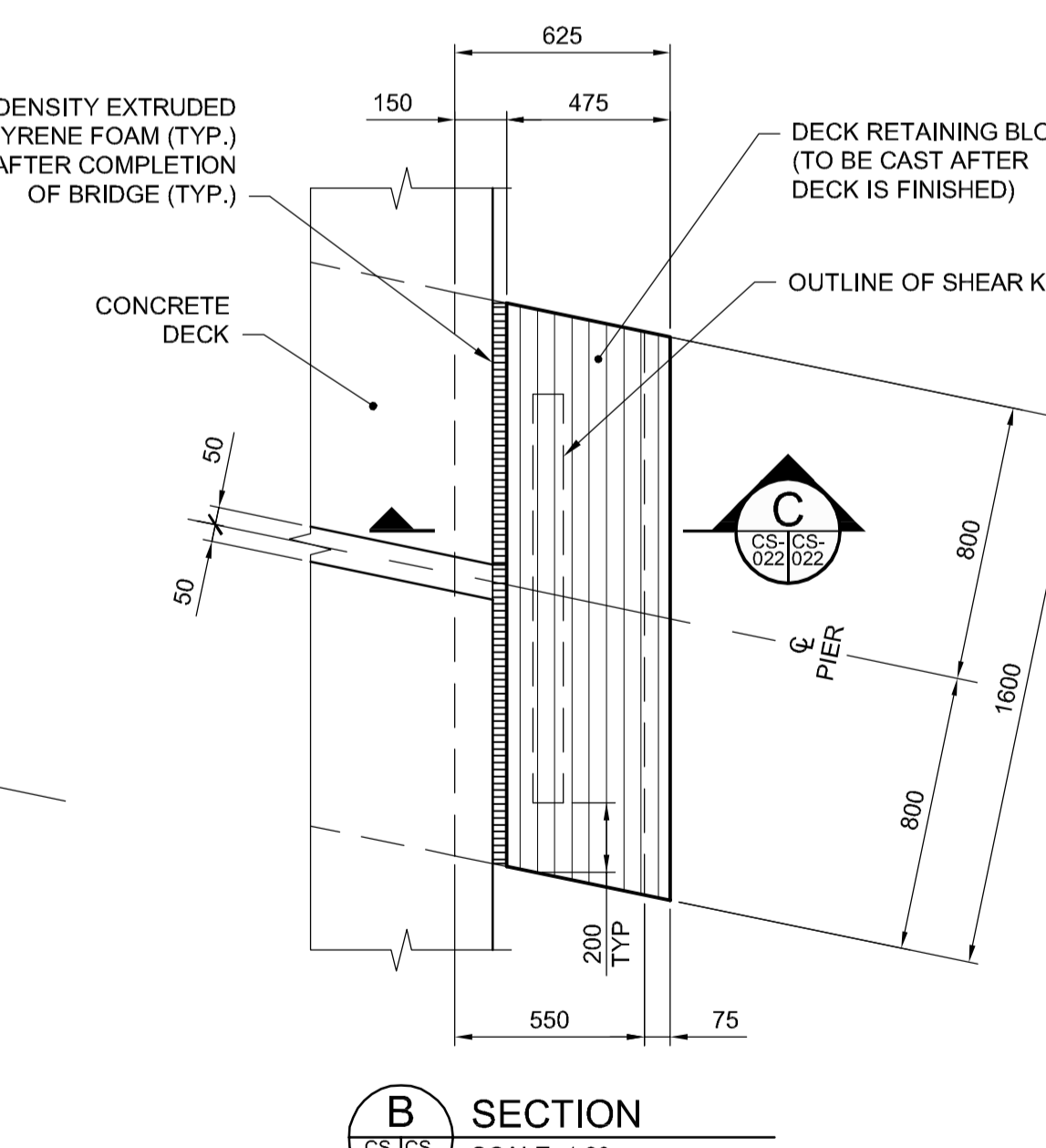
**1 ELEVATION**  
SCALE: 1:40



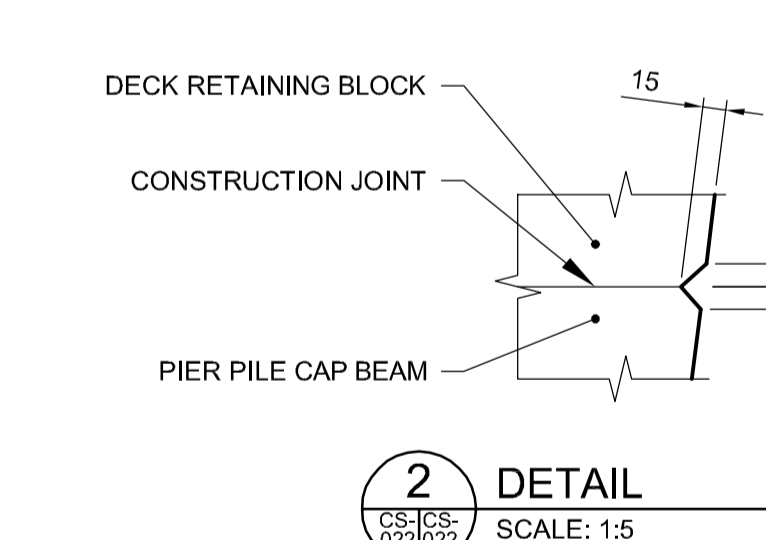
**D SECTION**  
SCALE: 1:40



**A SECTION**  
SCALE: 1:40



**B SECTION**  
SCALE: 1:20



**2 DETAIL**  
SCALE: 1:5

- NOTES:**
- FOR GENERAL NOTES SEE SHEET C2-CS-001.
  - FOR CONCRETE NOTES REFER TO SHEET C2-CS-001.
  - BEARING SEAT ELEVATIONS ARE BASED ON ASSUMED BEARING THICKNESS OF 110 mm.
  - BEARING SEATS TO BE FLAT AND LEVEL AT BEARING SEAT LOCATIONS.
  - ALL EXPOSED EDGES TO BE CHAMFERED 20 mm UNLESS NOTED OTHERWISE.
  - CONCRETE FINISHES SHALL BE AS PER SPECIFICATIONS.

G:\CAD\163353\Technical\Workspace\Engineering\Drawings and Figures\Structures\Contract\163353-C2-CON-CS-PIER\_CONC1.dwg



NO.	REVISIONS	DATE	BY	DATE
1	ADDENDUM #5	17/03/01	RE	
0	ISSUED FOR TENDER	17/01/09	RE	

DESIGNED BY	RE	CHECKED BY	SSR
DRAWN BY	CGC	APPROVED BY	DBW
HOR. SCALE	AS SHOWN	RELEASED FOR CONSTRUCTION	
VERTICAL SCALE	AS SHOWN	DATE	

ENGINEER'S SEAL  
PROVINCE OF MANITOBA  
**R.B. ERIC**  
Member 22665  
REGISTERED PROFESSIONAL ENGINEER  
CONSULTANT PROJECT NUMBER  
**16-3353**

**THE CITY OF WINNIPEG**  
PUBLIC WORKS DEPARTMENT  
Waverley Street Underpass at CN Mile 3.89 Rivers Sub  
Contract 2: Underpass Structure, Railworks,  
Roadworks, Land Drainage Sewer, Pumping Station  
and Landscaping Works  
PIER SU.2, SU.3 AND SU.4  
CONCRETE DETAILS  
CITY DRAWING NUMBER  
U-239-2016-C2-CS-022  
SHEET 022 OF 085  
CONSULTANT DRAWING NUMBER  
C2-CS-022