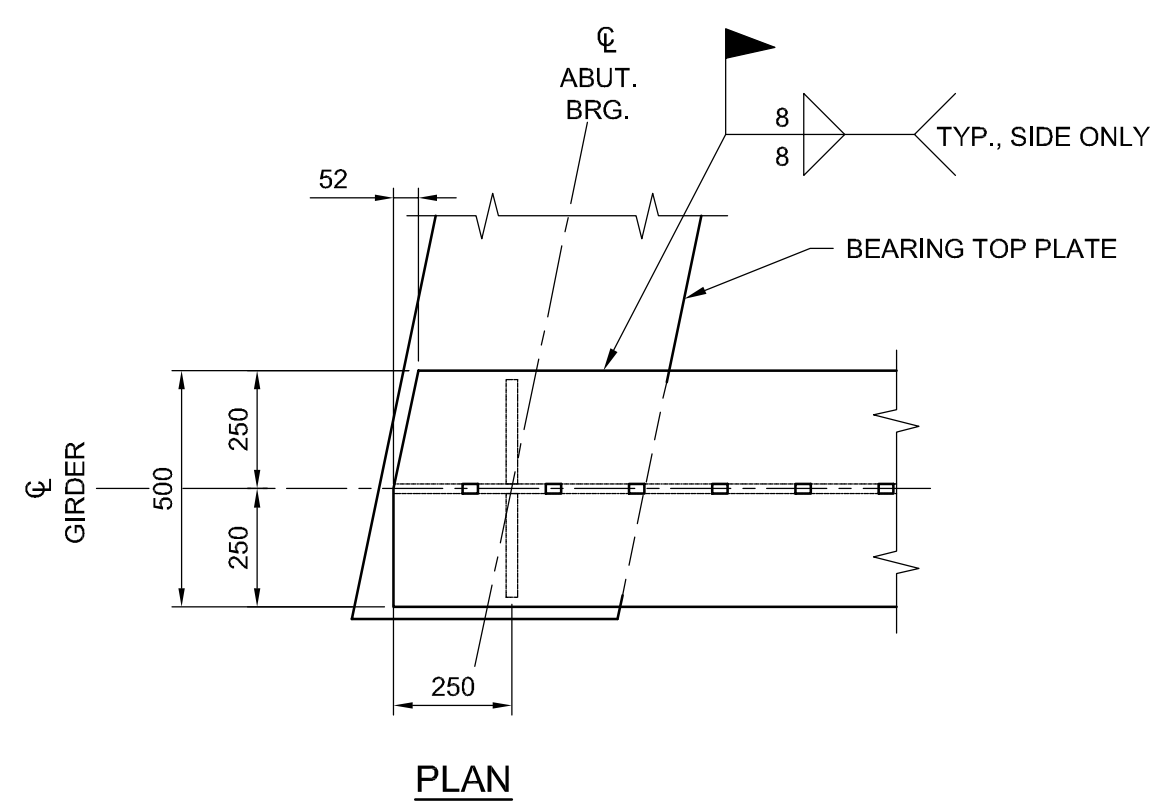
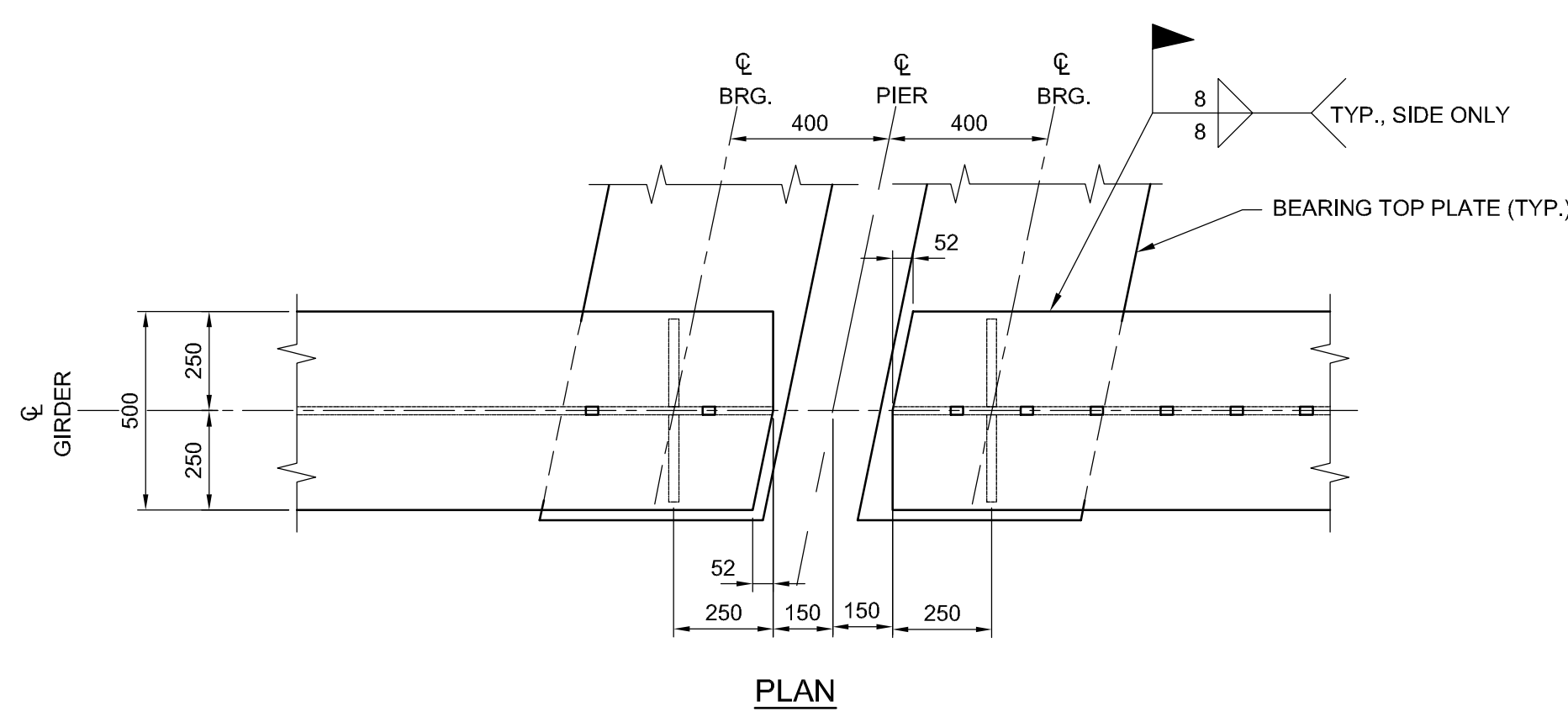


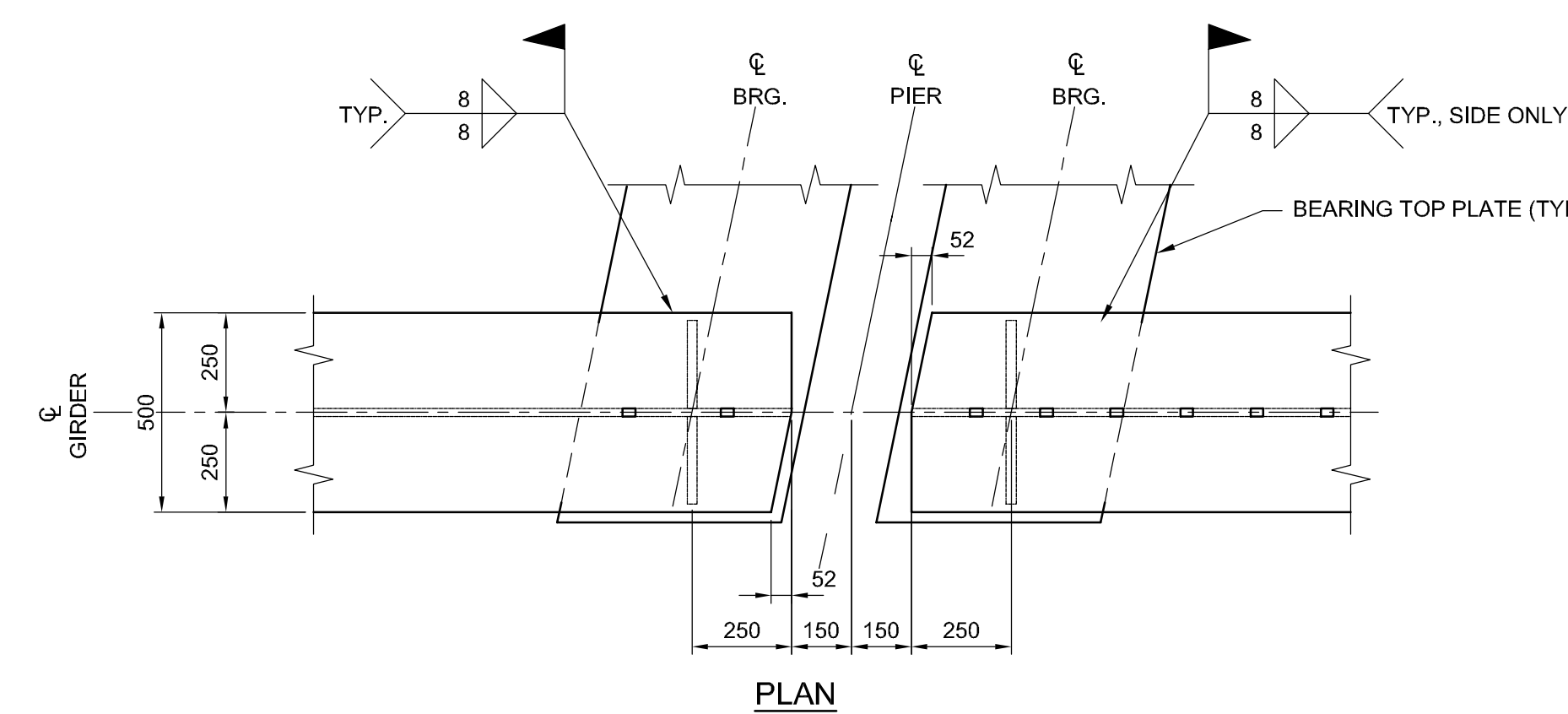
**NOTE:**  
1. GIRDER TOP FLANGE, WEB, BOTTOM FLANGE AND BEARING STIFFENERS ARE FRACTURE CRITICAL MEMBERS



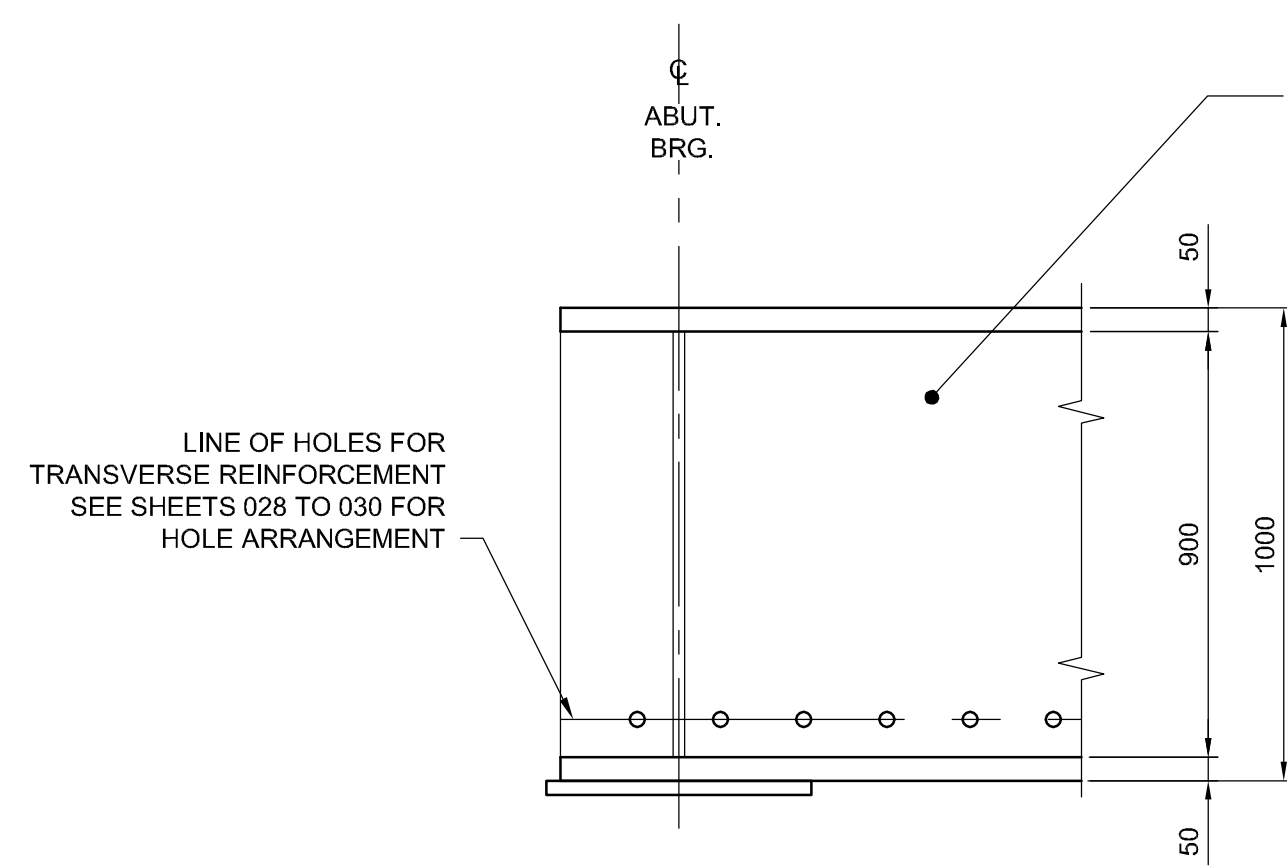
PLAN



PLAN



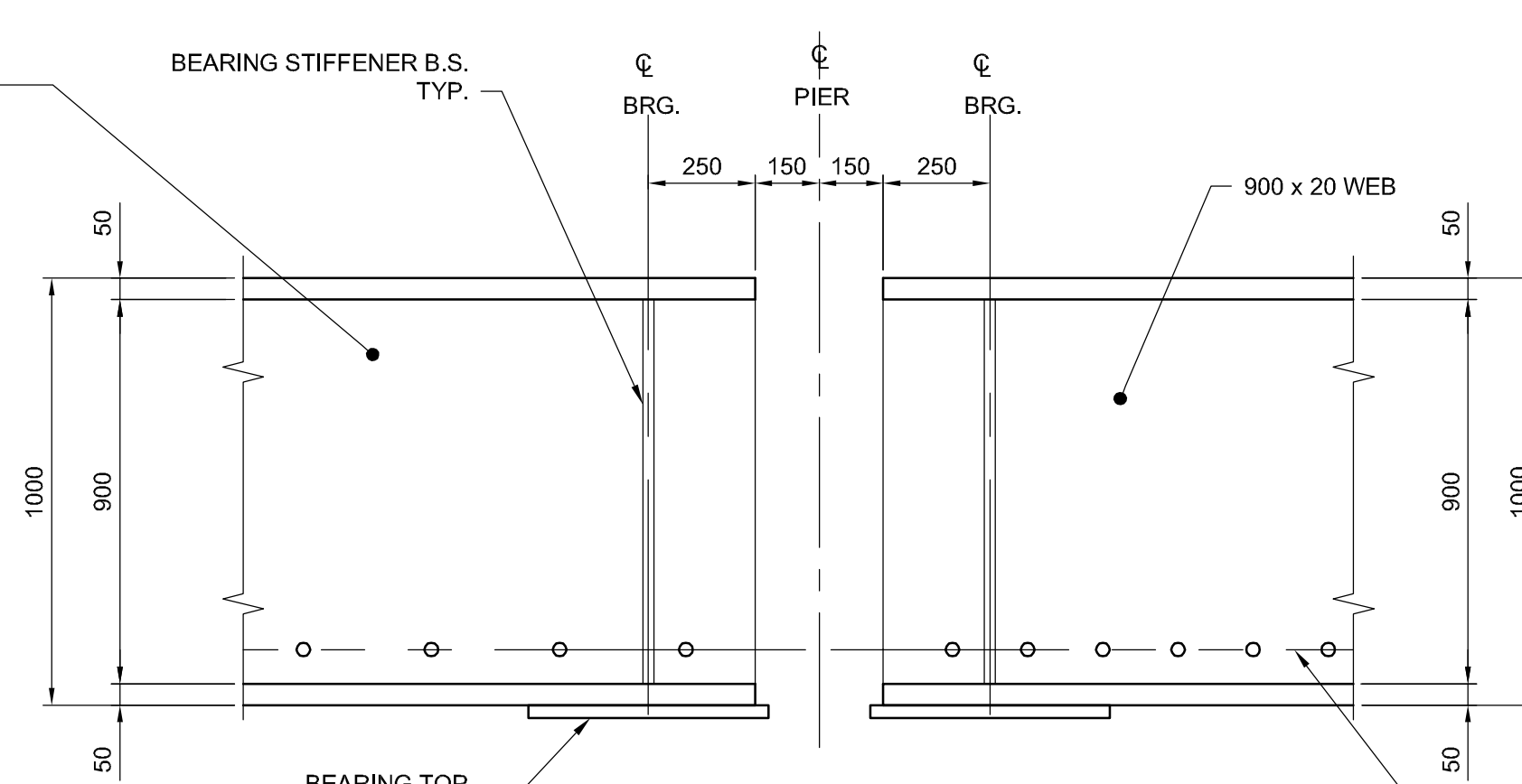
PLAN



ELEVATION

GIRDER END DETAIL AT ABUTMENT LOCATION (SU.1 & SU.5)

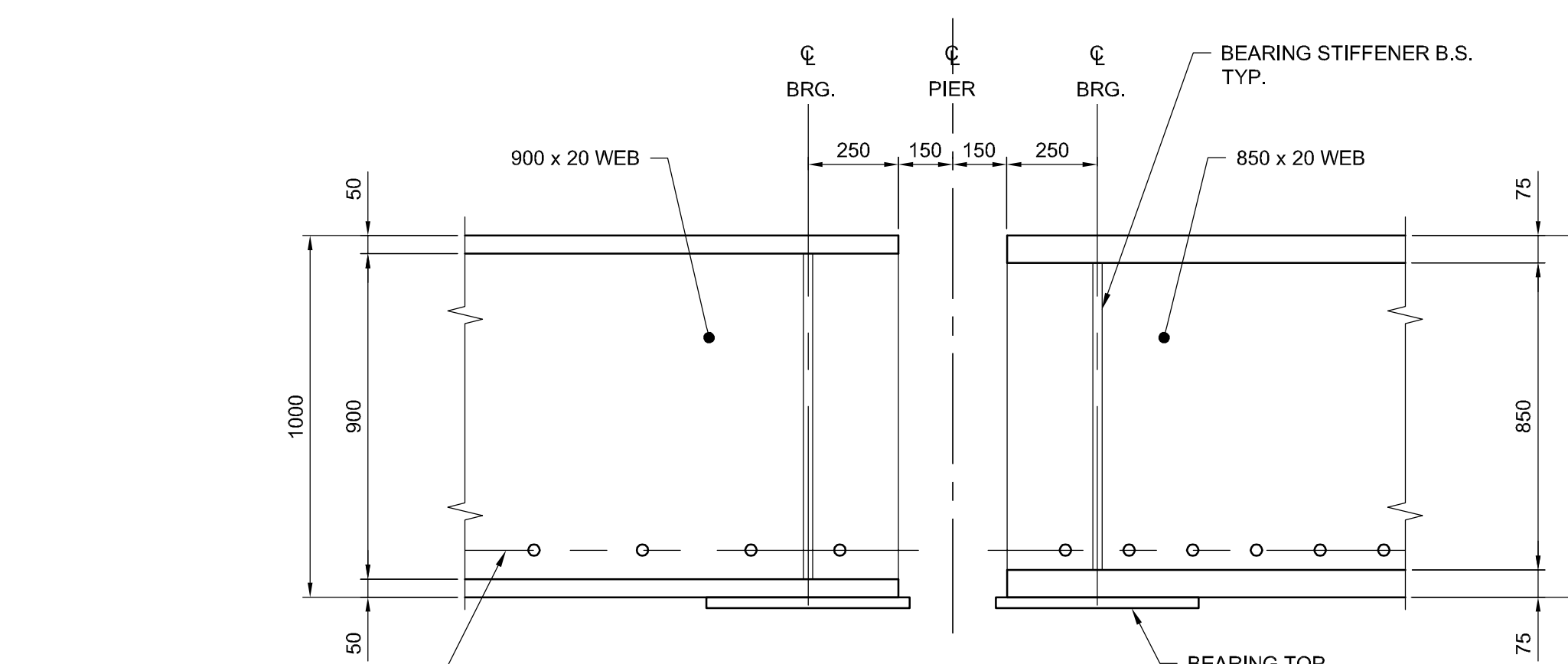
SCALE 1:15  
SHOWN IS SU.1  
SU.5 IS SIMILAR BUT OPPOSITE HAND  
GIRDER LINE 10 IS SHOWN



ELEVATION

GIRDER END DETAIL AT PIER LOCATION (SU.2)

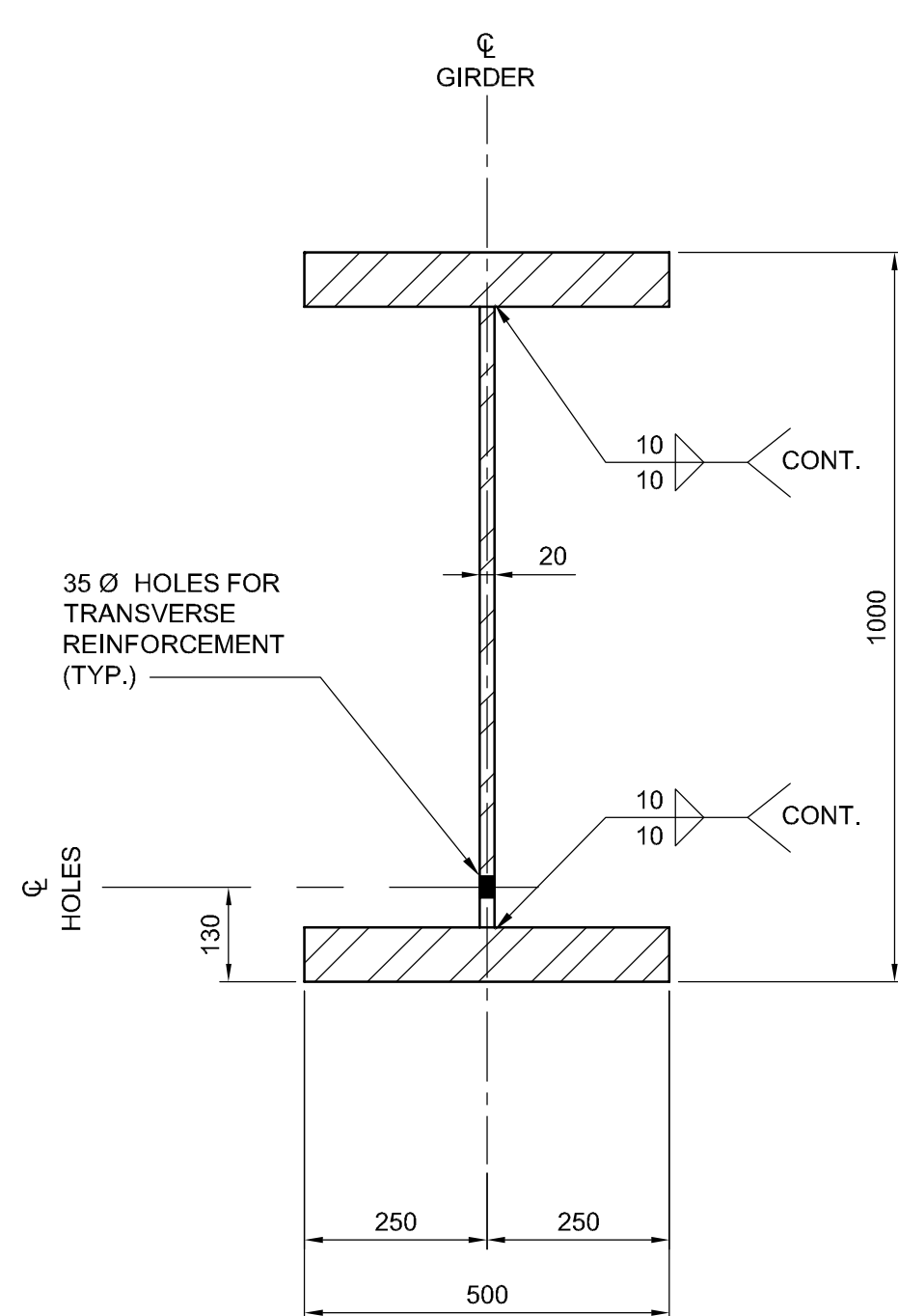
SCALE 1:15



ELEVATION

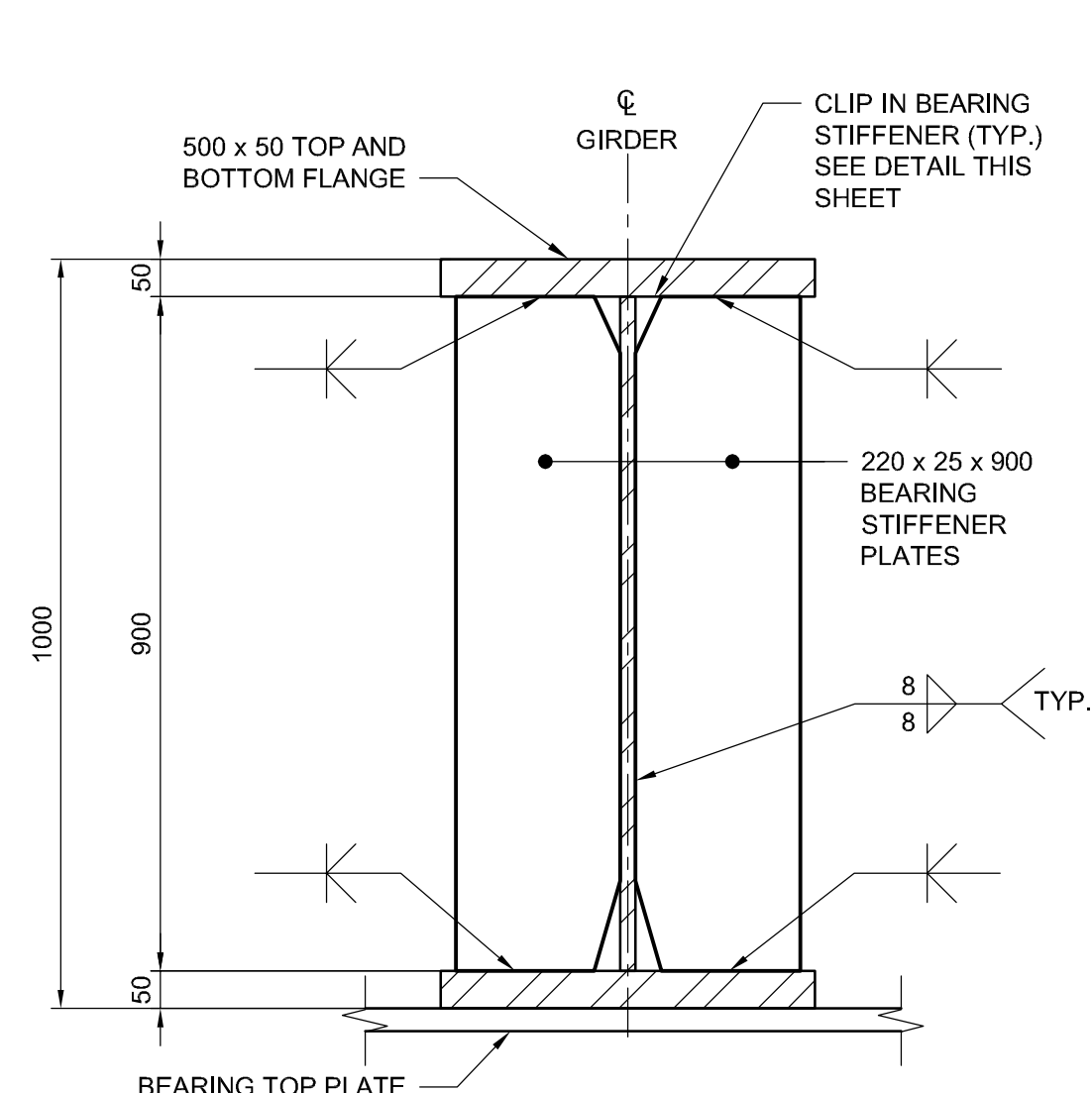
GIRDER END DETAIL AT PIER LOCATION (SU.3 & SU.4)

SCALE 1:15  
SHOWN IS SU.3  
SU.4 IS SIMILAR BUT OPPOSITE HAND  
GIRDER LINE 10 IS SHOWN



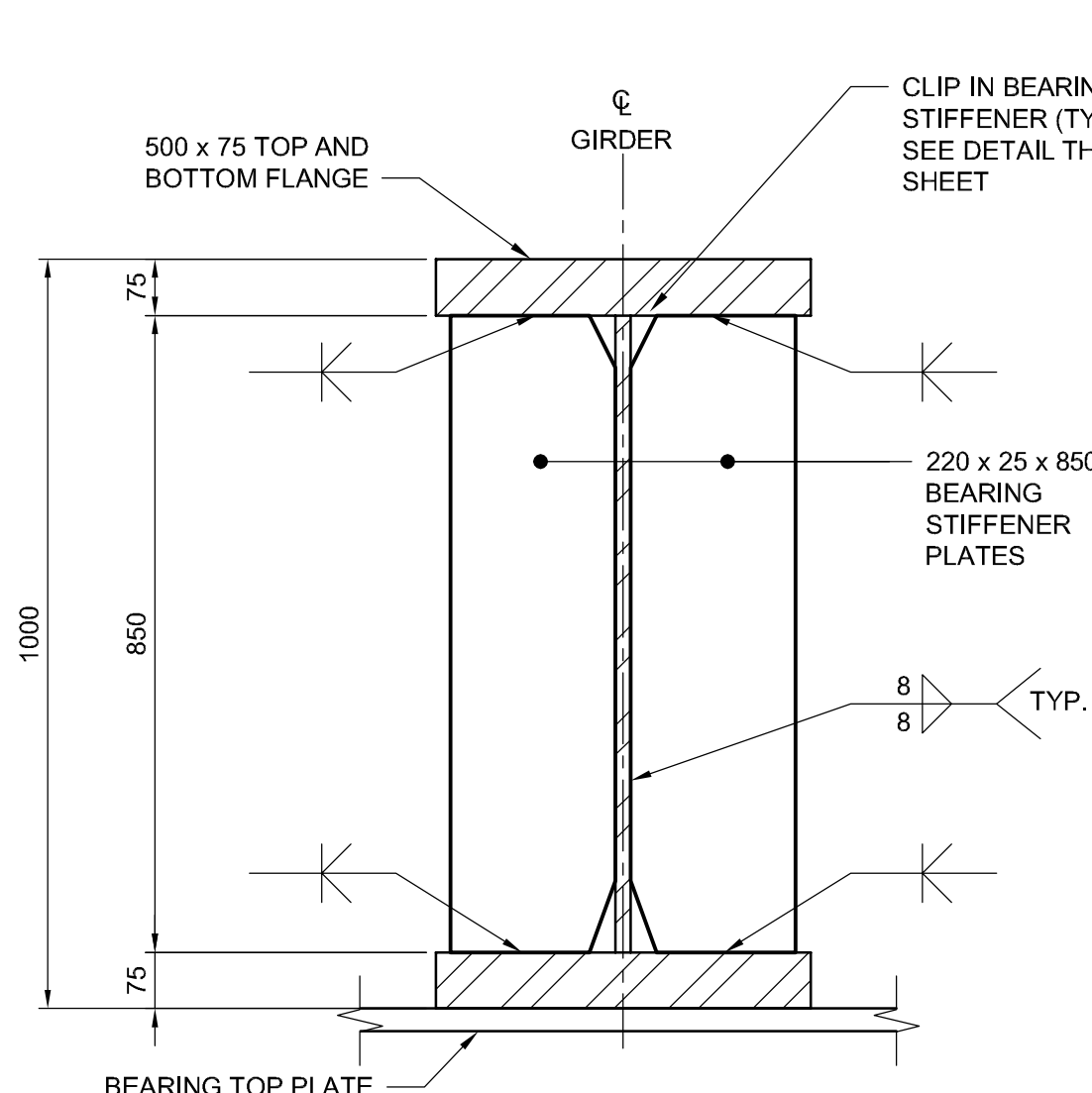
TYPICAL GIRDER

**A** SECTION  
SCALE: 1:10



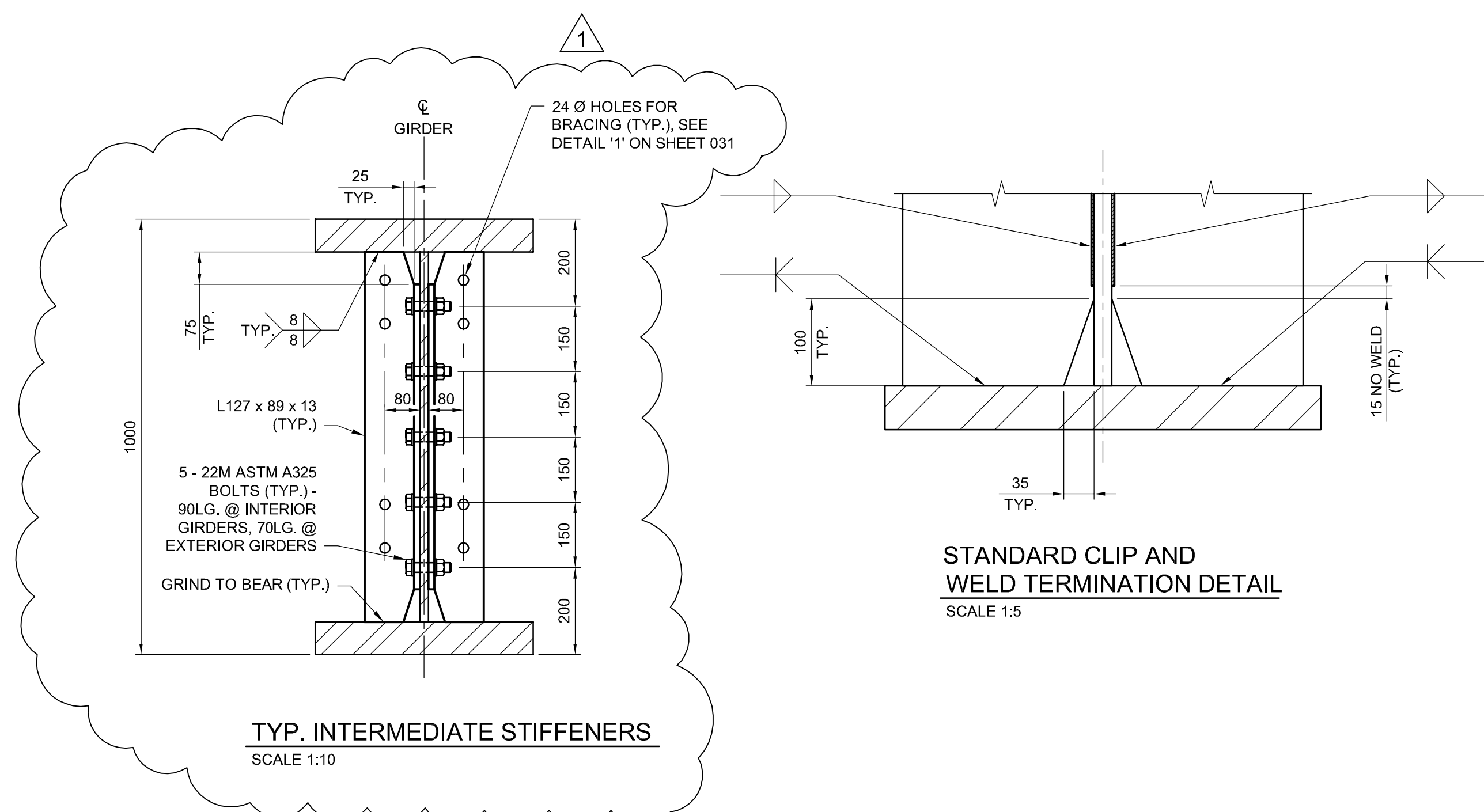
TYP. BEARING STIFFENER  
17.20 & 17.60 m SPANS

SCALE 1:10



TYP. BEARING STIFFENER  
21.70 m SPAN

SCALE 1:10



TYP. INTERMEDIATE STIFFENERS

SCALE 1:10

STANDARD CLIP AND  
WELD TERMINATION DETAIL

SCALE 1:5

G:\CAD\163353\Technical Workspace\Engineering\Drawings and Figures\Structures\Contract\163353-C2-CON-CS-GIRDER DETAILS\_2.dwg



NO.	REVISIONS	DATE	BY
1	ADDENDUM #4	17/02/24	RE
0	ISSUED FOR TENDER	17/01/09	RE

DESIGNED BY	CHECKED BY
RE	SSR
DRAWN BY	APPROVED BY
NBG	DBW
HOR. SCALE	RELEASED FOR CONSTRUCTION
AS SHOWN	
VERTICAL SCALE	DATE
AS SHOWN	

ENGINEER'S SEAL  
PROVINCE OF MANITOBA  
**R.B. ERIC**  
Member  
22665  
REGISTERED PROFESSIONAL ENGINEER  
CONSULTANT PROJECT NUMBER  
16-3353

**THE CITY OF WINNIPEG**  
PUBLIC WORKS DEPARTMENT  
Winnipeg  
WAVERLEY STREET UNDERPASS AT CN MILE 3.89 RIVERS SUB  
CONTRACT 2: UNDERPASS STRUCTURE, RAILWORKS,  
ROADWORKS, LAND DRAINAGE SEWER, PUMPING STATION  
AND LANDSCAPING WORKS  
CITY DRAWING NUMBER  
U-239-2016-C2-CS-032  
SHEET 032 OF 085  
CONSULTANT DRAWING NUMBER  
C2-CS-032  
STEEL GIRDER DETAILS - SHEET 2