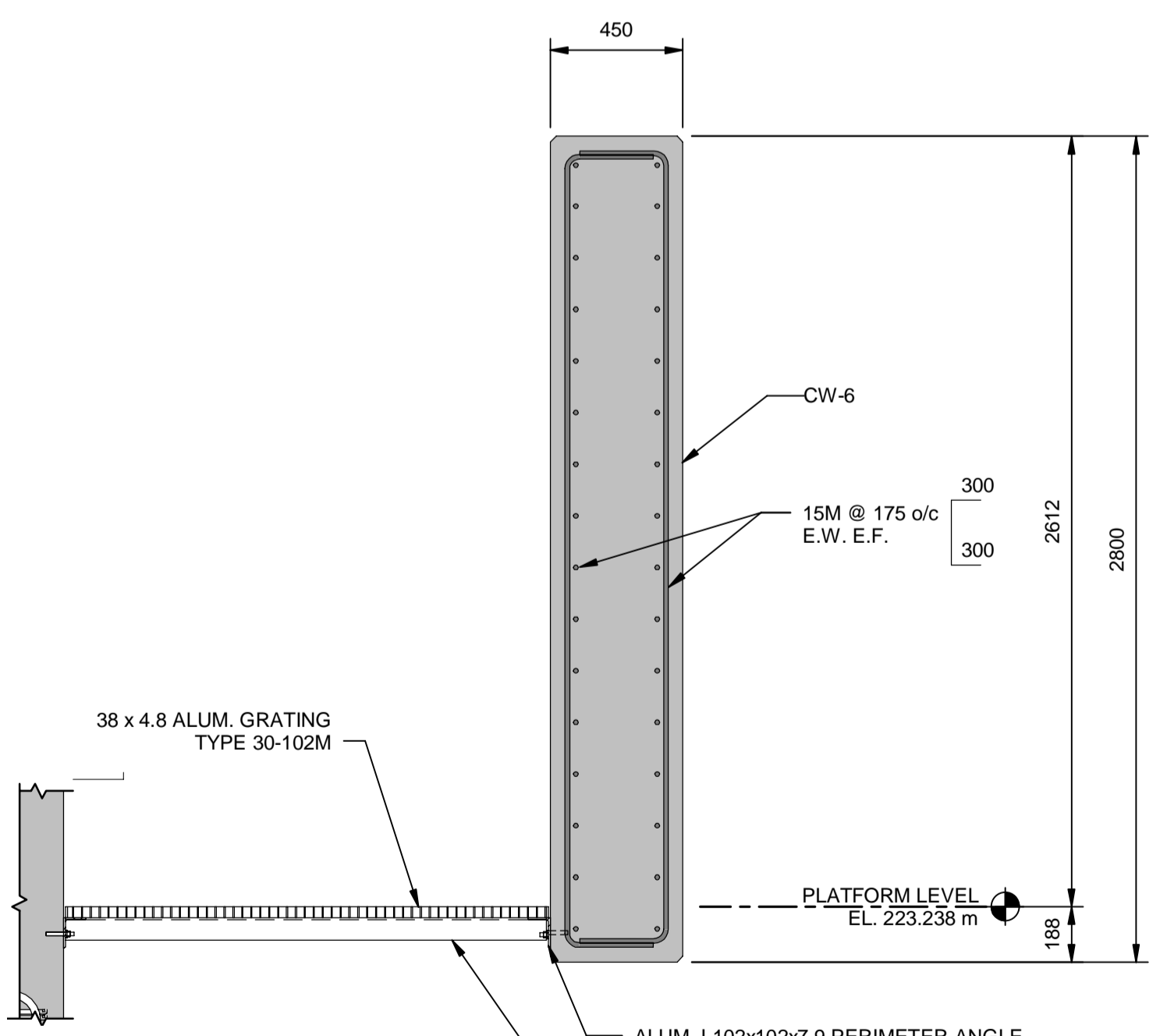


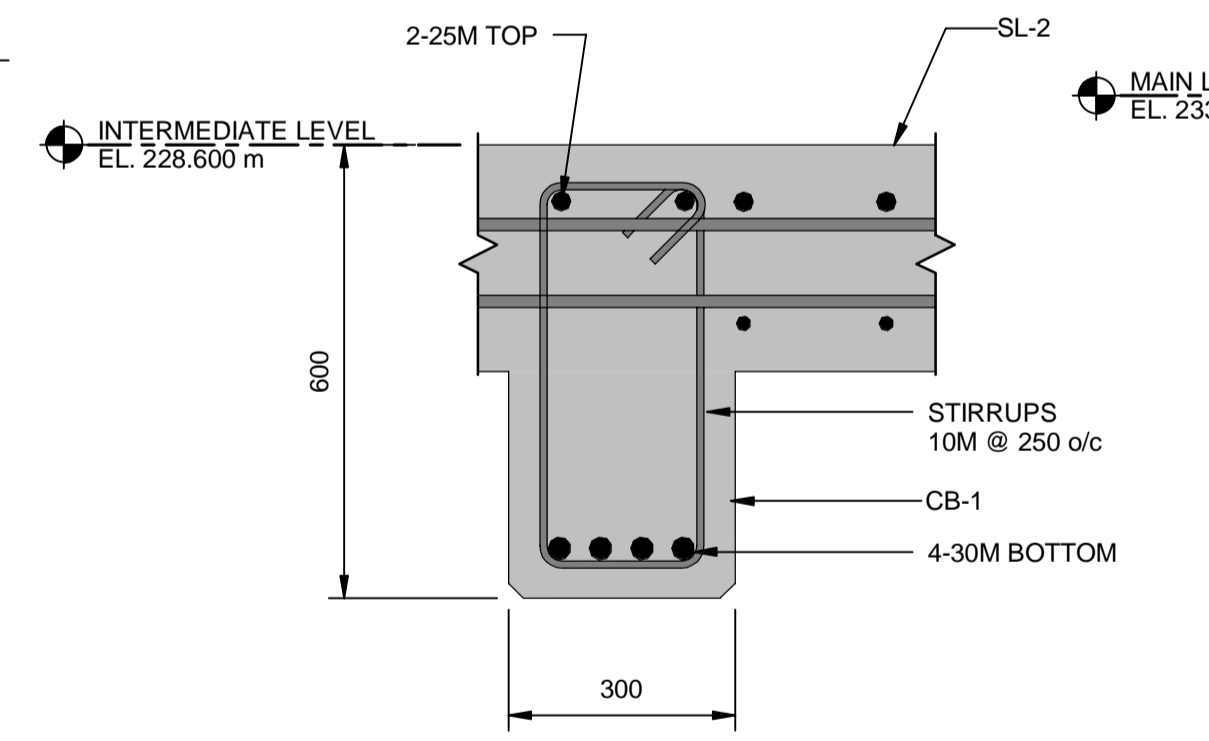
2 | SLAB PIT DETAIL
BS-402 REF: BS-101 SCALE: 1 : 20

NOTE:
1. EXCAVATION AND BACKFILL DETAILS NOT SHOWN FOR CLARITY

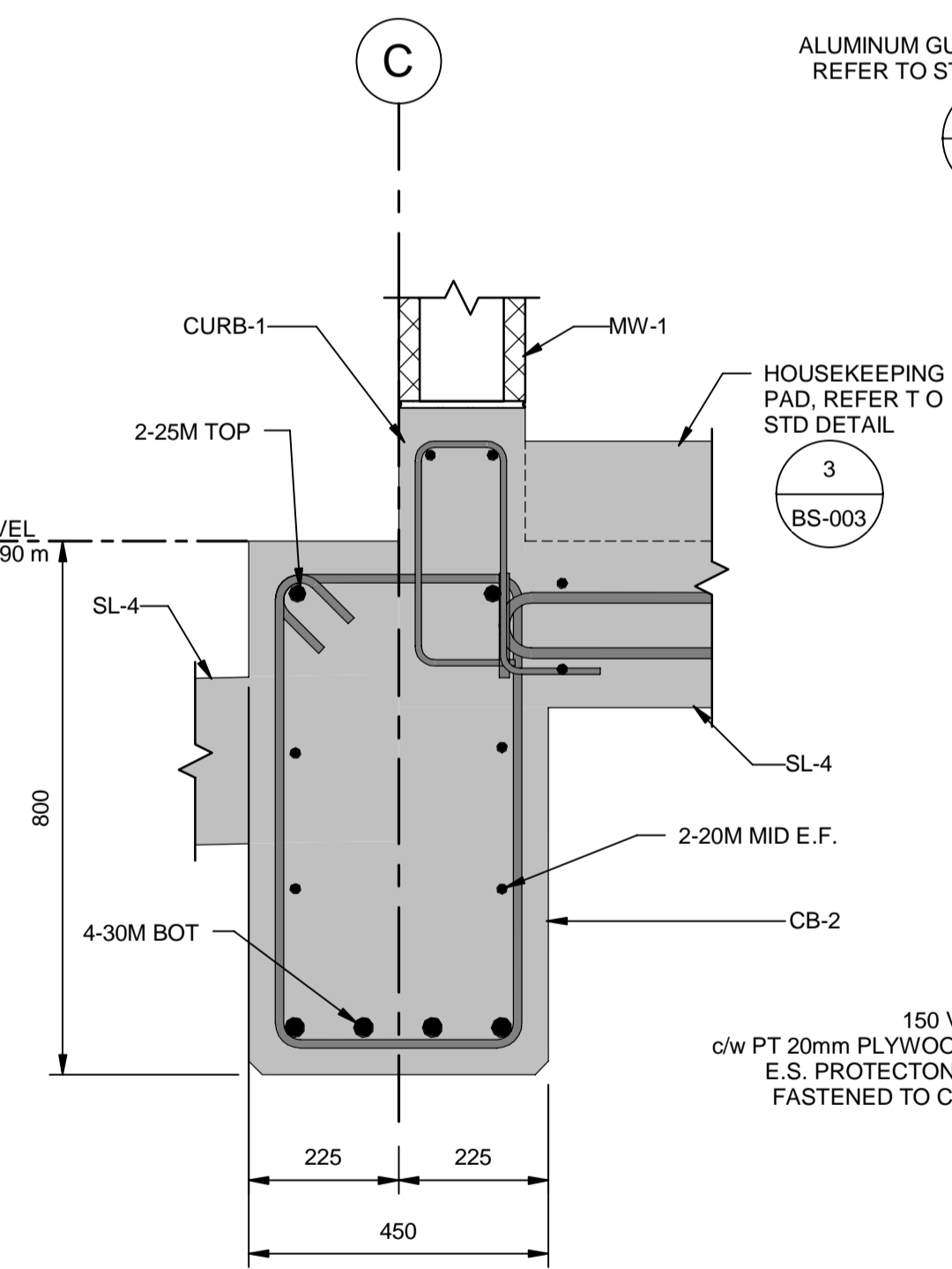
1 | CB-4 DETAIL
BS-402 REF: BS-301 SCALE: 1 : 20



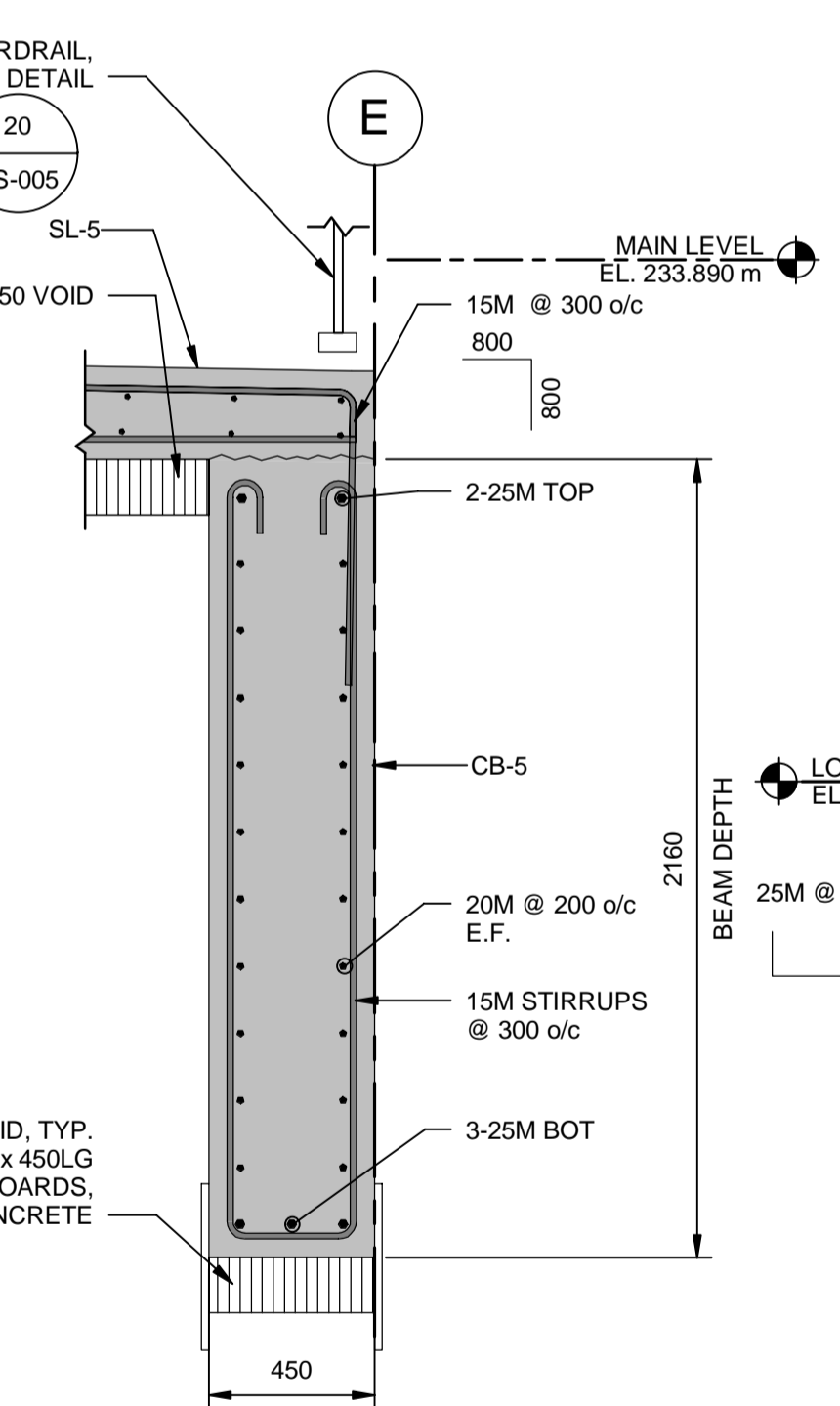
4 | CW-6 DETAIL
BS-402 REF: BS-301 SCALE: 1 : 20



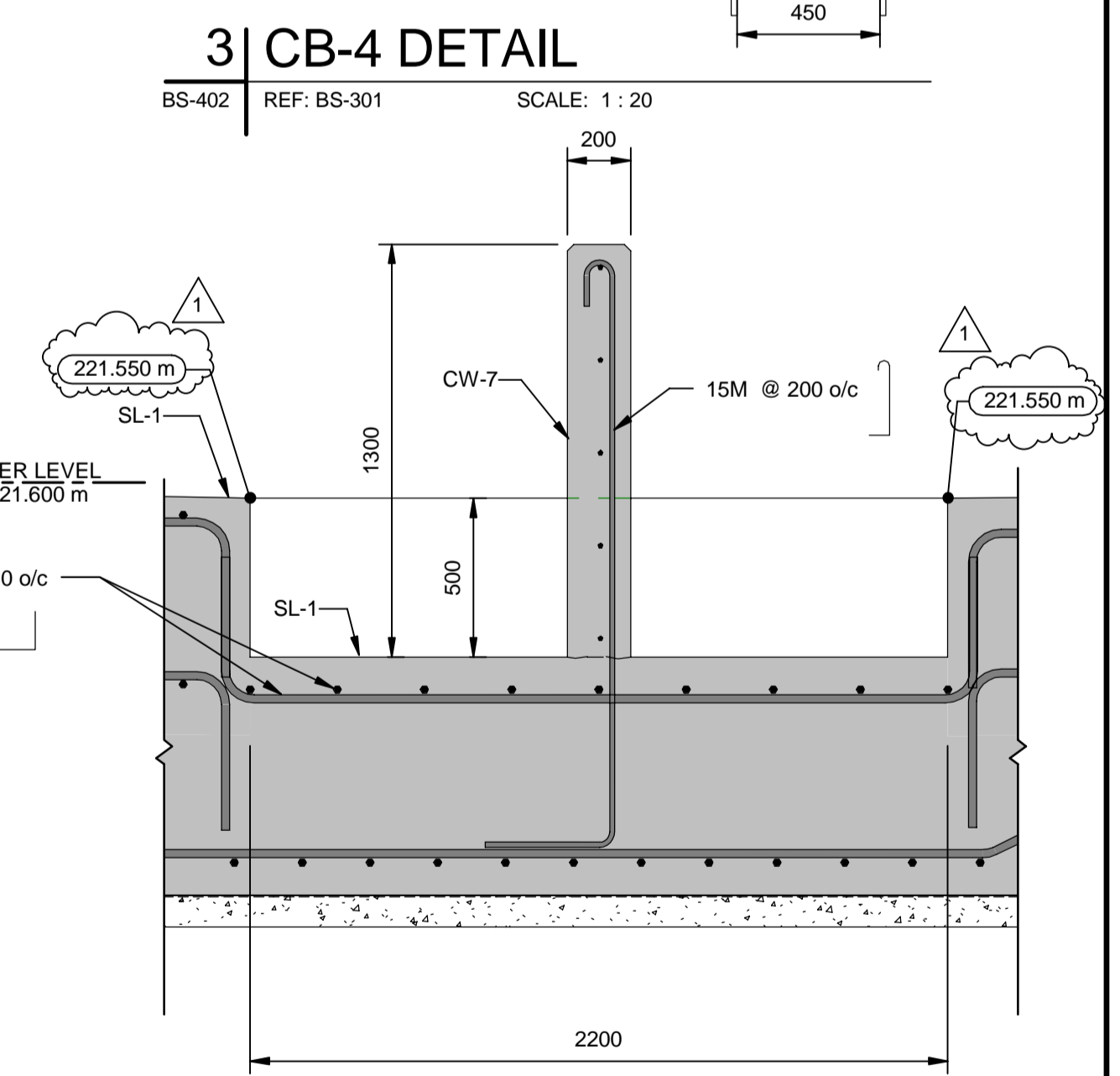
5 | CB-1 DETAIL
BS-402 REF: BS-301 SCALE: 1 : 10



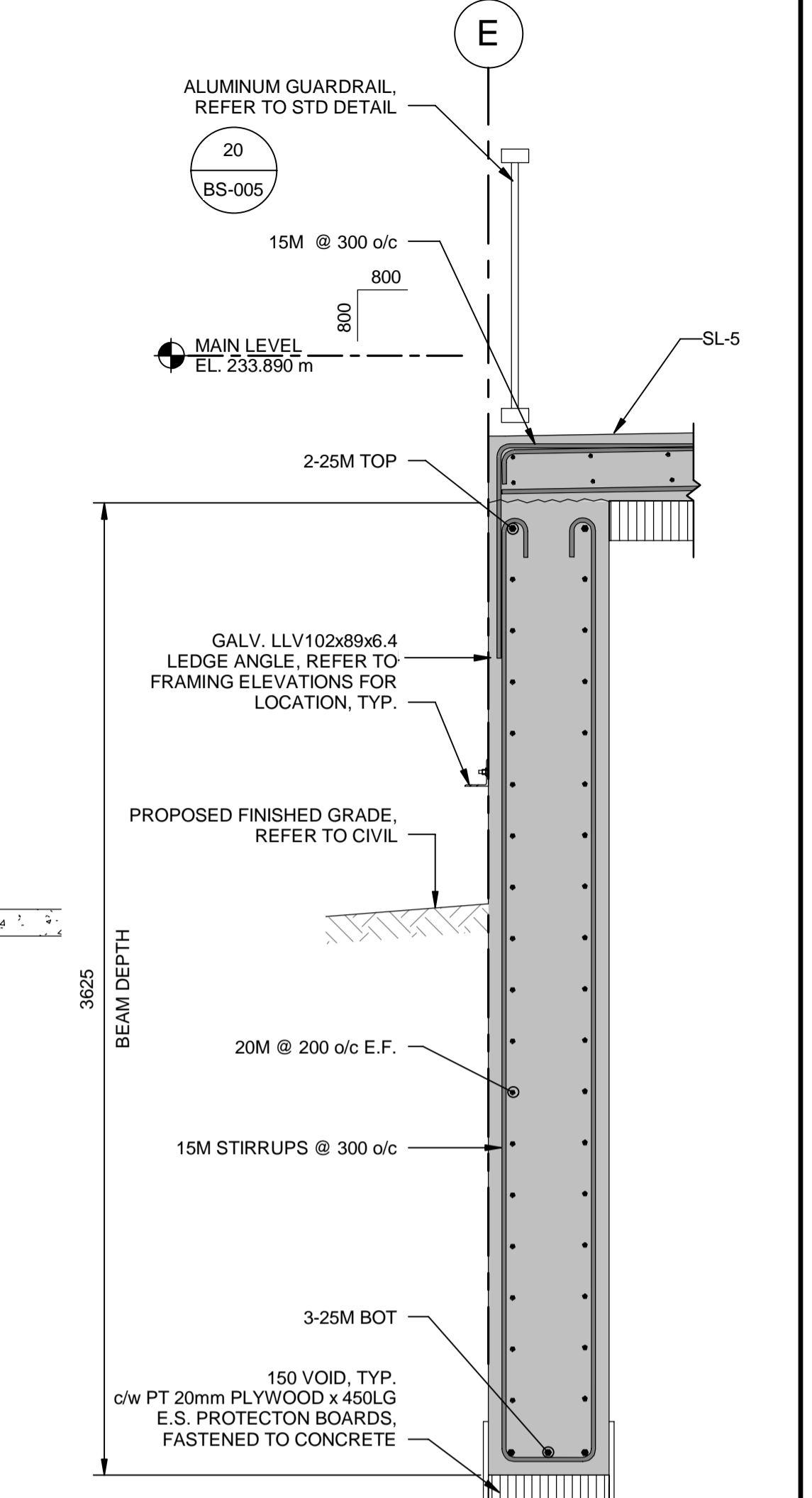
6 | CB-2 DETAIL
BS-402 REF: BS-301 SCALE: 1 : 10



7 | CB-5 DETAIL
BS-402 REF: BS-302 SCALE: 1 : 20



8 | CW-7 DETAIL
BS-402 REF: BS-301 SCALE: 1 : 20



3 | CB-4 DETAIL
BS-402 REF: BS-301 SCALE: 1 : 20



UNDERGROUND STRUCTURES				B.M. ELEV.
1	ISSUED FOR ADDENDUM 4	17/02/22	KK	
O	ISSUED FOR TENDER	17/01/09	KK	
NO.	REVISIONS	DATE	BY	

DESIGNED BY: KK/JT		CHECKED BY: SBB	
DRAWN BY: KK		APPROVED BY: AN	
HOR. SCALE: AS SHOWN		RELEASED FOR CONSTRUCTION	
VERTICAL		DATE: 09/06/2016	

ENGINEER'S SEAL
PROVINCE OF MANITOBA
J.A. THOMPSON
Member 30632
REGISTERED PROFESSIONAL ENGINEER

THE CITY OF WINNIPEG
PUBLIC WORKS DEPARTMENT

WAVERLEY STREET UNDERPASS AT CN MILE 3.89 RIVERS SUB
CONTRACT 2: UNDERPASS STRUCTURE, RAILWORKS,
ROADWORKS, LAND DRAINAGE SEWER, PUMPING STATION
AND LANDSCAPING WORKS

PUMPING STATION
DETAILS

CITY DRAWING NUMBER: U-239-2016-C2-BS-402
SHEET 15 OF 16
CONSULTANT DRAWING NUMBER: C2-BS-402

P:\60321148\900-Work\910-CAD\99-SUPPORT\PROJECT_TITLE_BLOCKS\Title_Block_for_Pump_Station_works\1633853-XTB-C1-CU.dwg