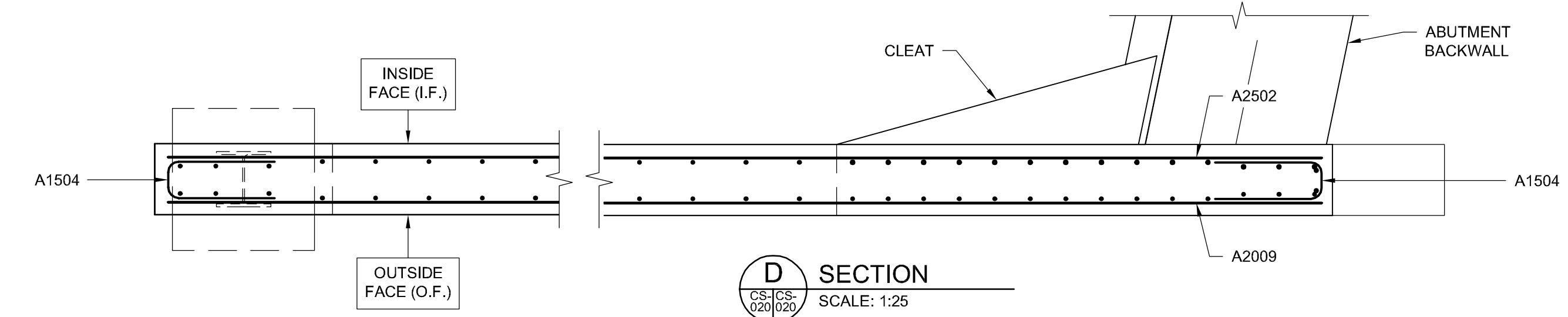
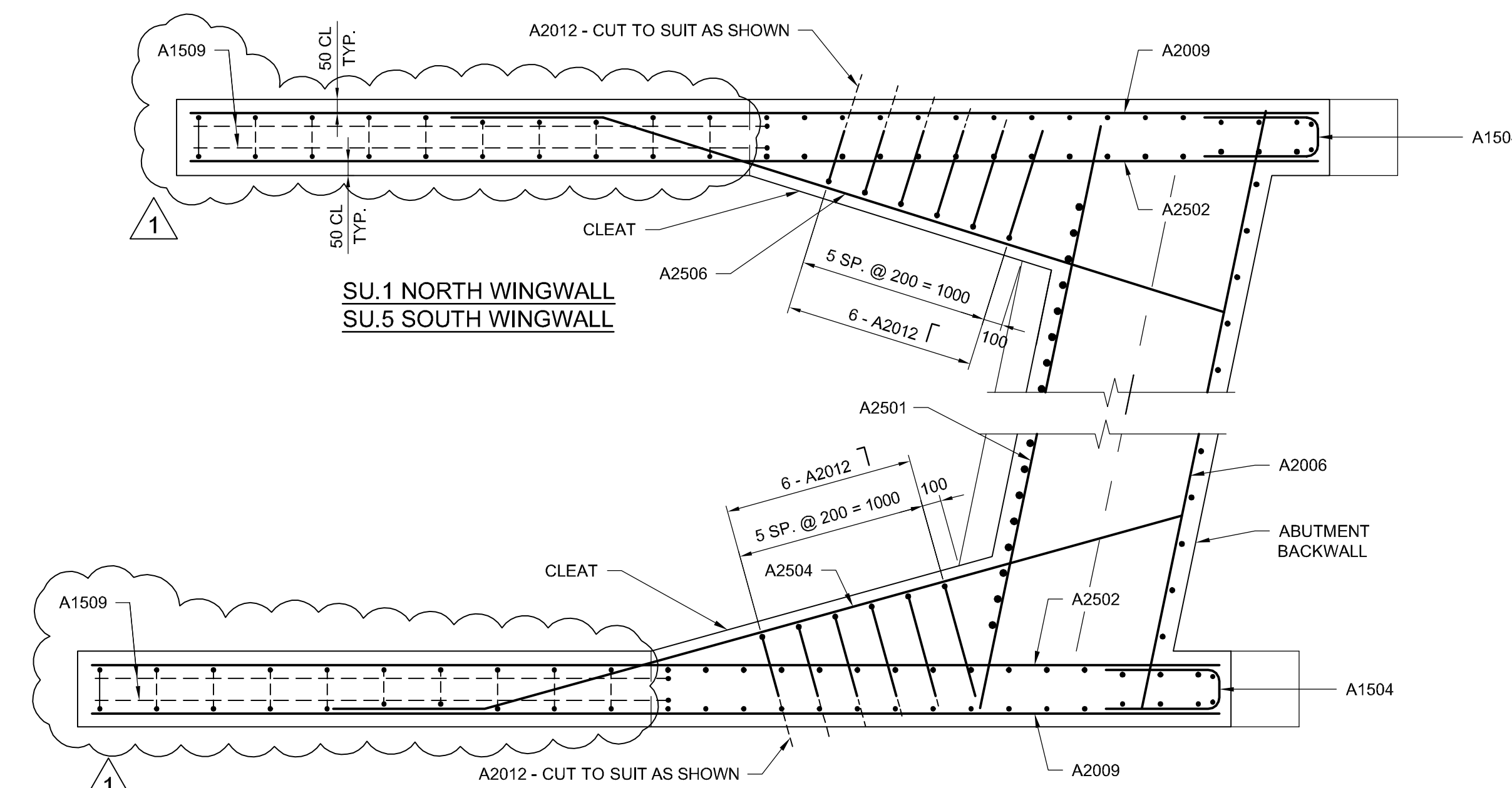


TYPICAL WINGWALL ELEVATION

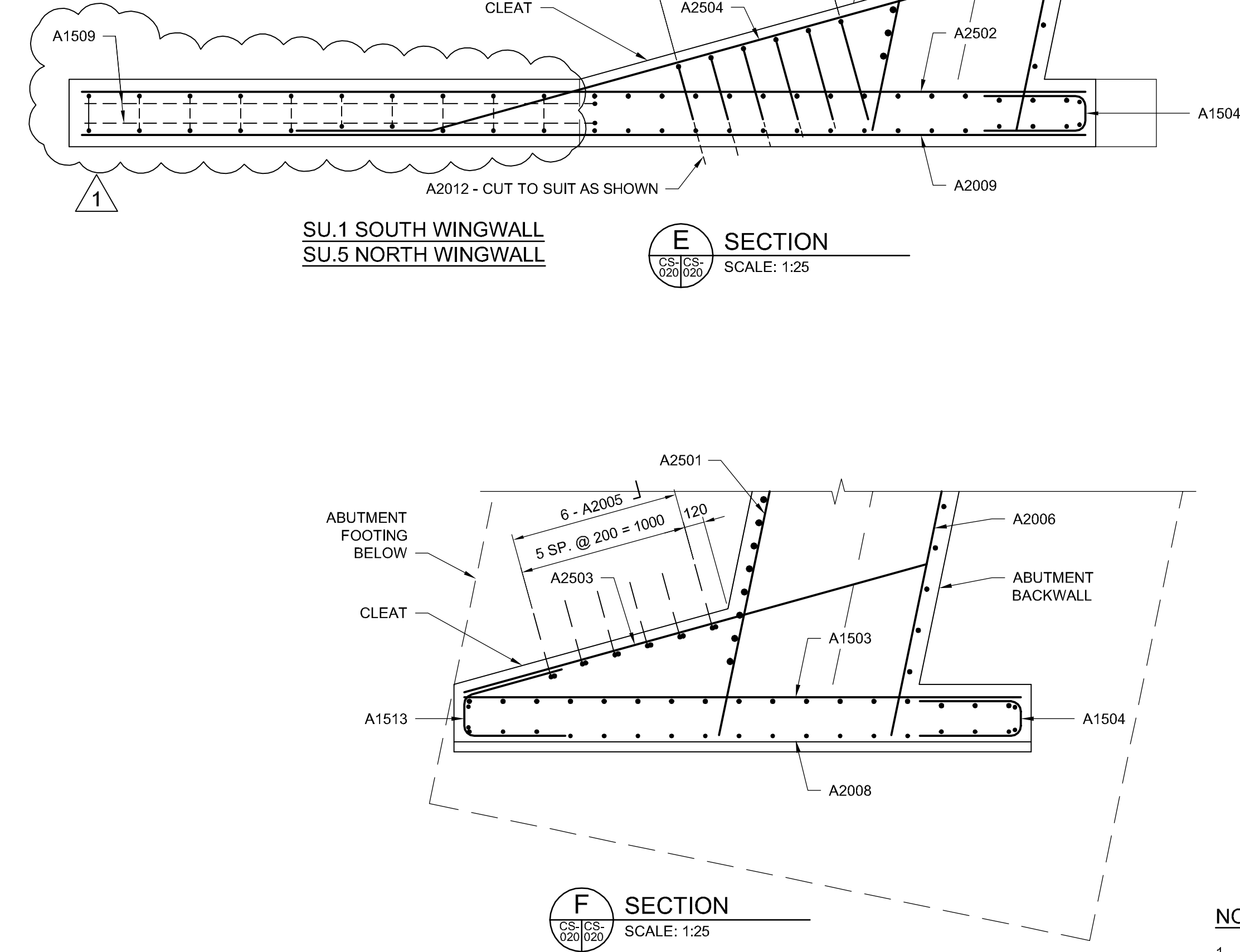
SCALE: 1:150
SU.1 SHOWN, SU.5 SIMILAR



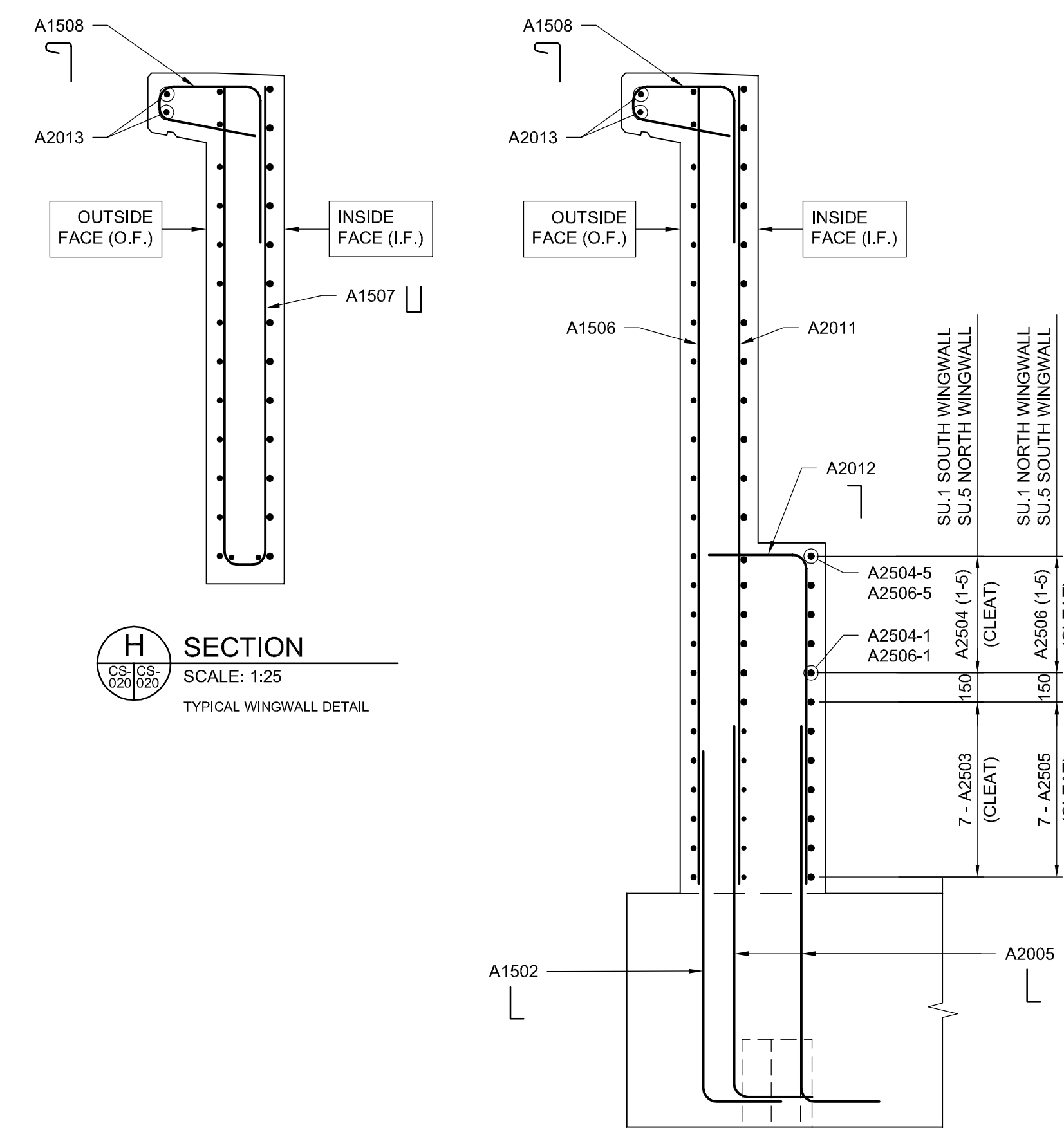
D SECTION
SCALE: 1:25



E SECTION
SCALE: 1:25



F SECTION
SCALE: 1:25

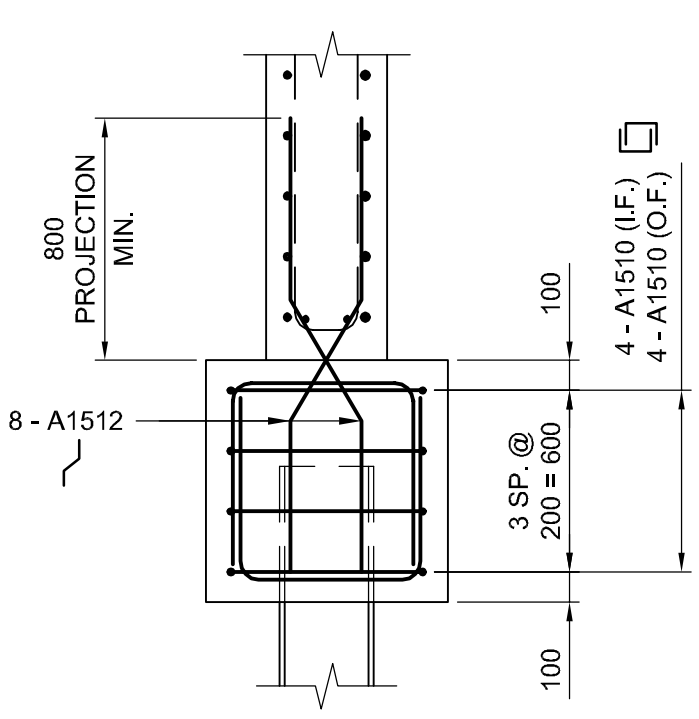


H SECTION
SCALE: 1:25

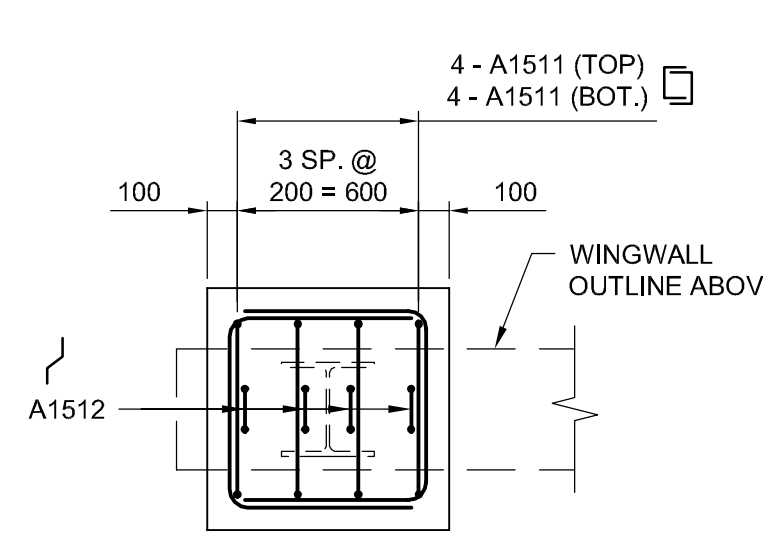
TYPICAL WINGWALL DETAIL

G SECTION
SCALE: 1:25

TYPICAL WINGWALL DETAIL



J SECTION
SCALE: 1:25



K SECTION
SCALE: 1:25

NOTES:
1. REFER TO NOTES ON SHEET C2-CS-019.

G:\CAD\163353\Technical Workspace\Engineering\Drawings and Figures\Structures\Contract\163353-C2-CON-CS-ABUT-REIN2.dwg

APEGM
Certificate of Authorization
Dillon Consulting Limited (MB)
No. 1789 Date: 2017/01/09

NO.	REVISIONS	DATE	BY	DATE
1	ADDENDUM #1	17/01/25	RE	
0	ISSUED FOR TENDER	17/01/09	RE	

DESIGNED BY	CHECKED BY	APPROVED BY	RELEASED FOR CONSTRUCTION
RE	SSR	DBW	
CGC			

ENGINEER'S SEAL
PROVINCE OF MANITOBA
R.B. ERIC
Member 22665
REGISTERED PROFESSIONAL ENGINEER
CONSULTANT PROJECT NUMBER
16-3353

THE CITY OF WINNIPEG
PUBLIC WORKS DEPARTMENT
Winnipeg
WAVERLEY STREET UNDERPASS AT CN MILE 3.89 RIVERS SUB
CONTRACT 2: UNDERPASS STRUCTURE, RAILWORKS,
ROADWORKS, LAND DRAINAGE SEWER, PUMPING STATION
AND LANDSCAPING WORKS
ABUTMENT SU.1 AND SU.5
REINFORCING DETAILS - SHEET 2
CITY DRAWING NUMBER
U-239-2016-C2-CS-020
SHEET 020 OF 085
CONSULTANT DRAWING NUMBER
C2-CS-020