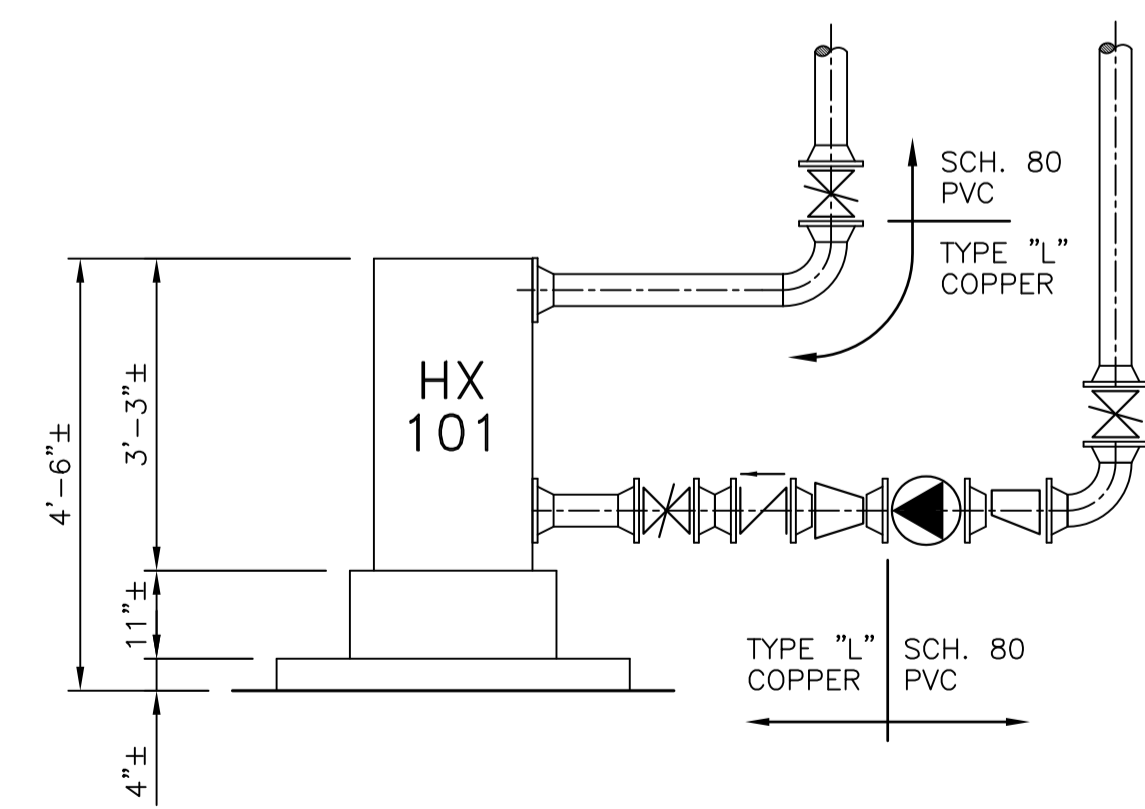
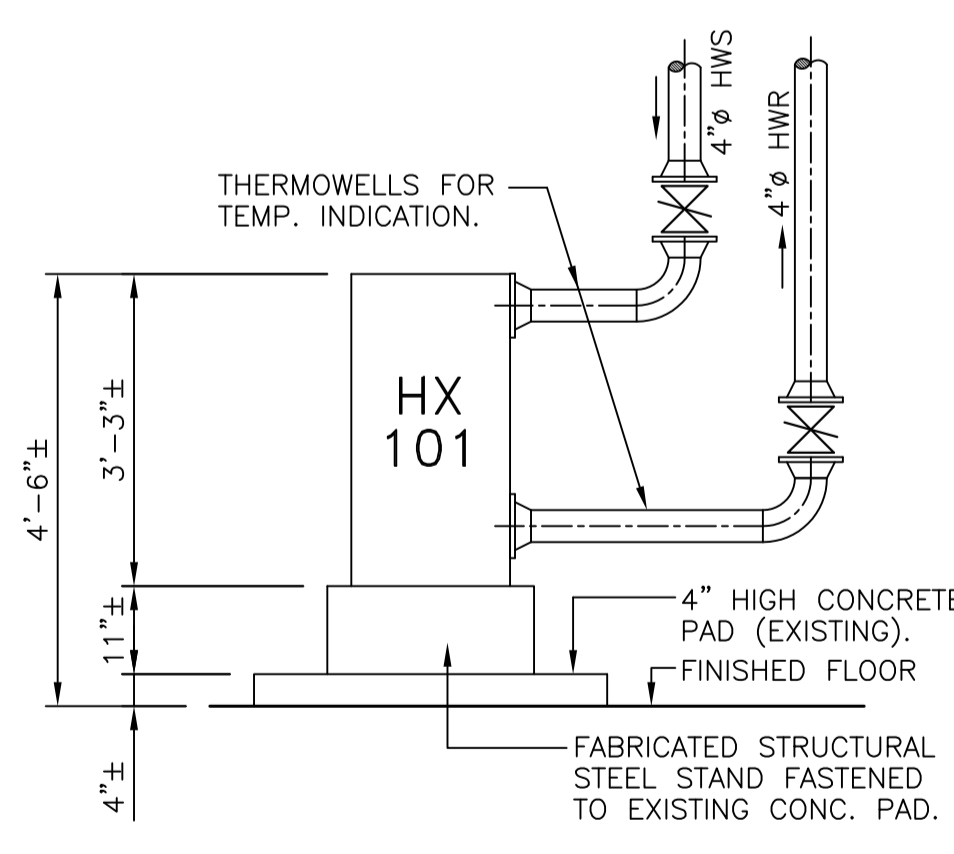


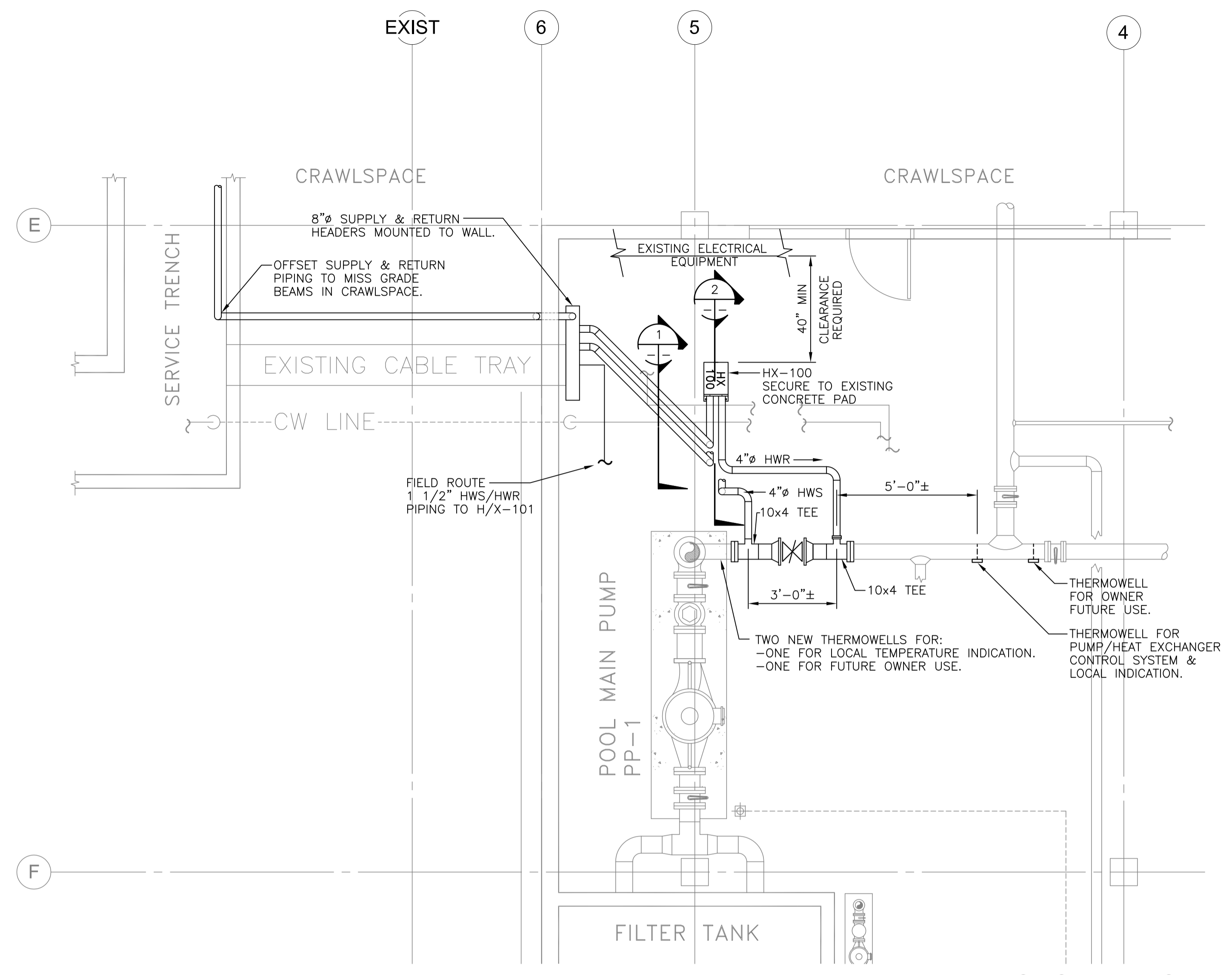
**A** EAST BOILER ROOM KIDDY POOL PIPING  
1/4"=1'-0"



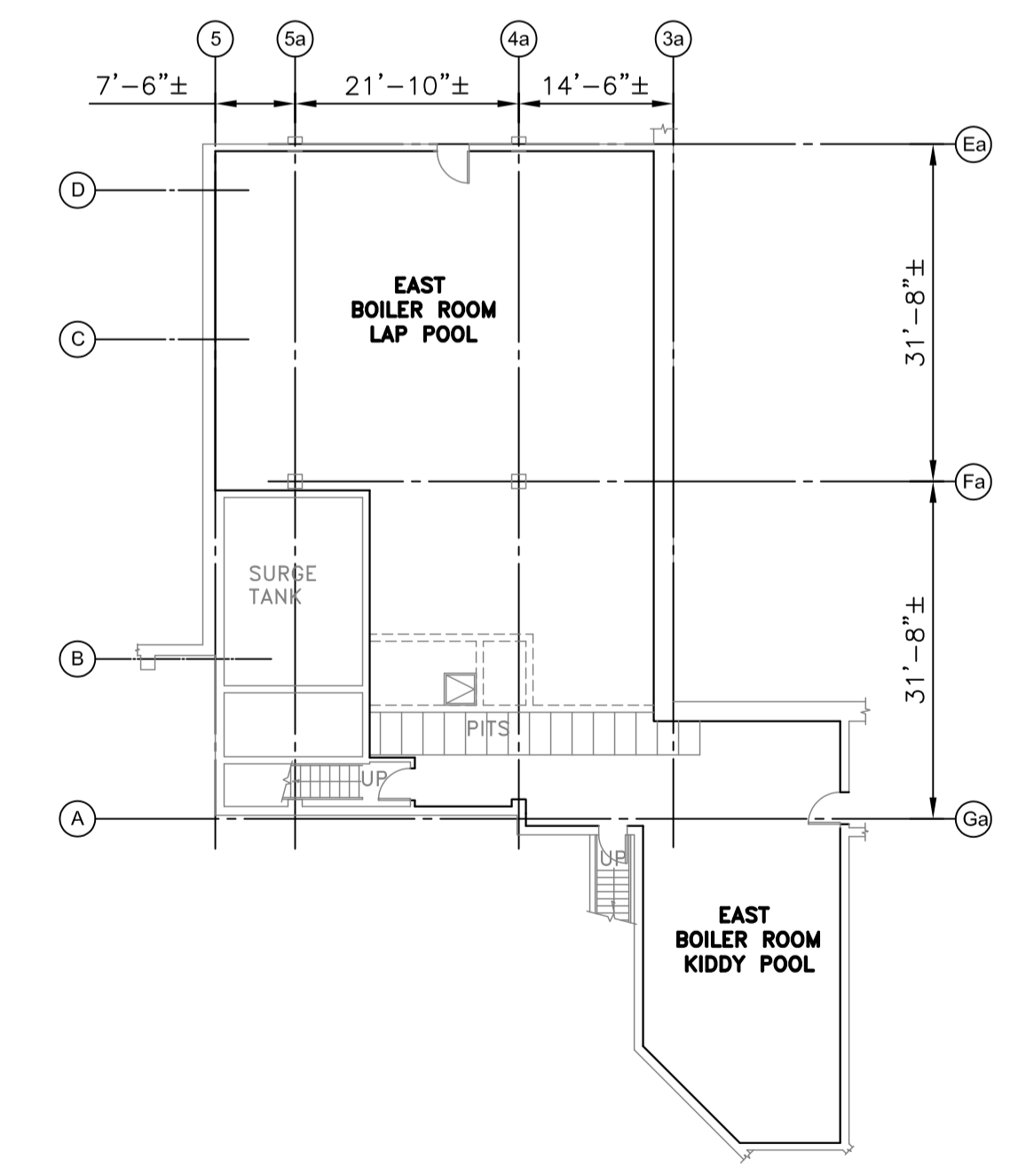
**2** POOL WATER PIPING  
1/4"=1'-0"



**1** BOILER WATER PIPING  
1/8"=1'-0"



**B** EAST BOILER ROOM LAP POOL PIPING  
1/4"=1'-0"



**C** MECHANICAL ROOM KEY PLAN  
N.T.S.

Record Drawings  
These Record Drawings have been prepared utilizing the mark-up documents provided by the contractor. Accutech Engineering Inc has undertaken no independent verification of the information. The responsibility for the accuracy of the Record information rests with the contractor supplying the information.

REV.	DESCRIPTION	DWN.	APP.	DATE
3	AS BUILT DRAWING	FT	BKW	05/31/02
2	ISSUED FOR CONSTRUCTION	FT	BKW	02/01/02
1	ISSUED FOR TENDER	FT	BKW	01/25/02
0	ISSUED FOR CLIENT REVIEW	FT	BKW	01/24/02

<b>ACCUTECH</b> Engineering 605-287 Broadway, Winnipeg, Manitoba, Canada R3C 0R9	
APPROVED BY: FT	DATE: _____
DESIGNED BY: BKW	CHECKED BY: BKW
SCALE: AS NOTED	JOB No. _____

<b>CITY OF WINNIPEG</b>	
<b>PAN AM POOL MECHANICAL RENOVATIONS</b>	
<b>EAST BOILER ROOM PIPING DETAILS.</b>	<b>AM04 3</b>
DWG. No.	REV.