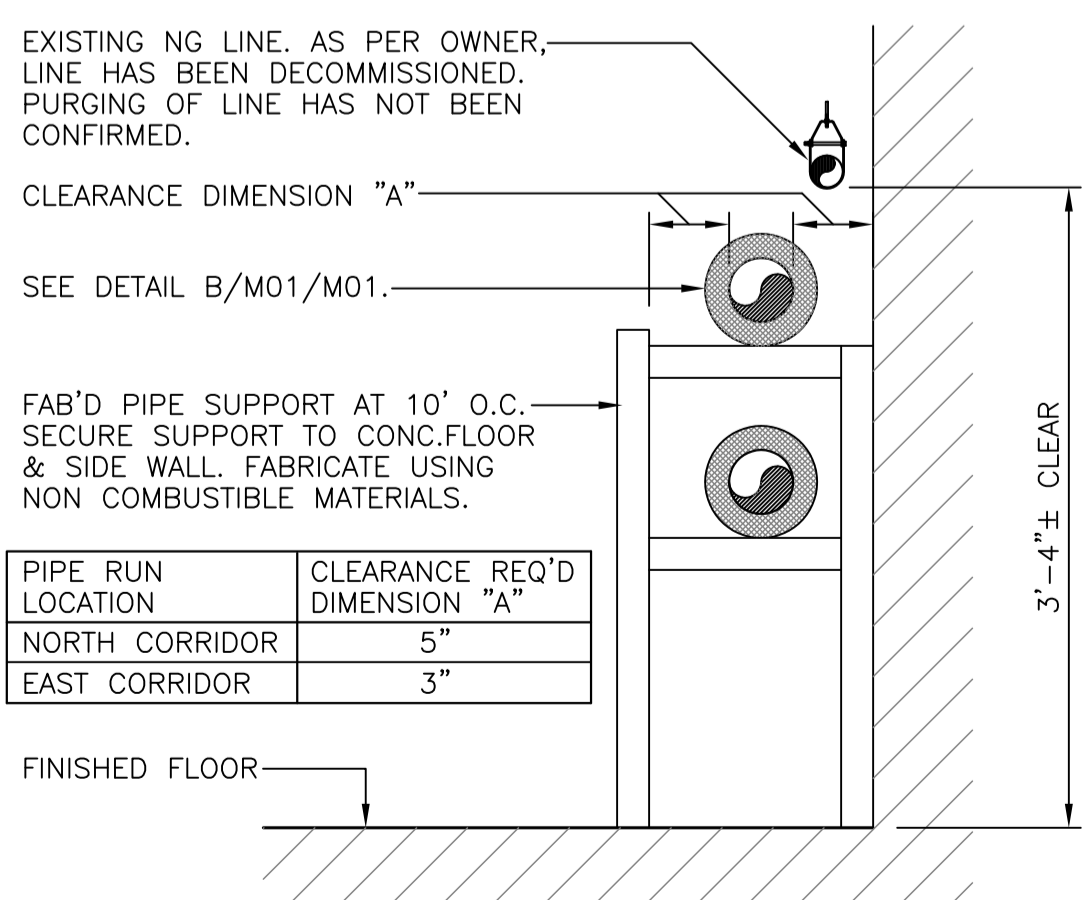
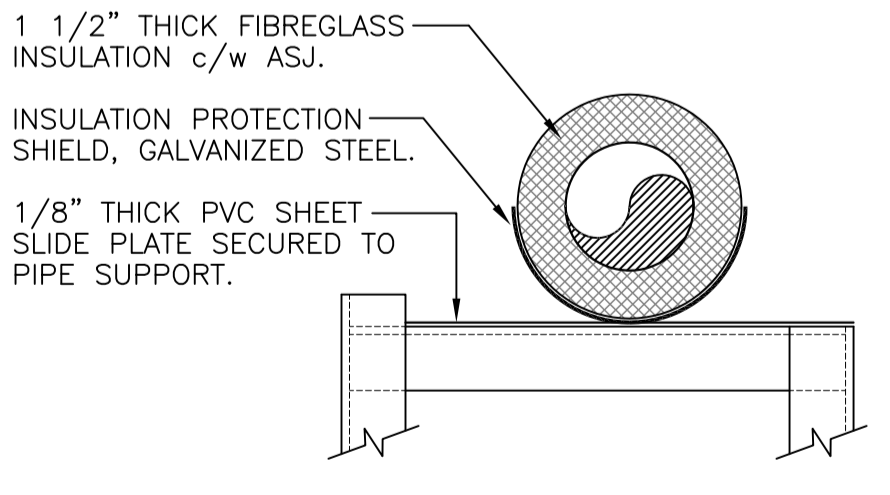


A BASEMENT FLOOR PLAN
1/16"=1'-0"

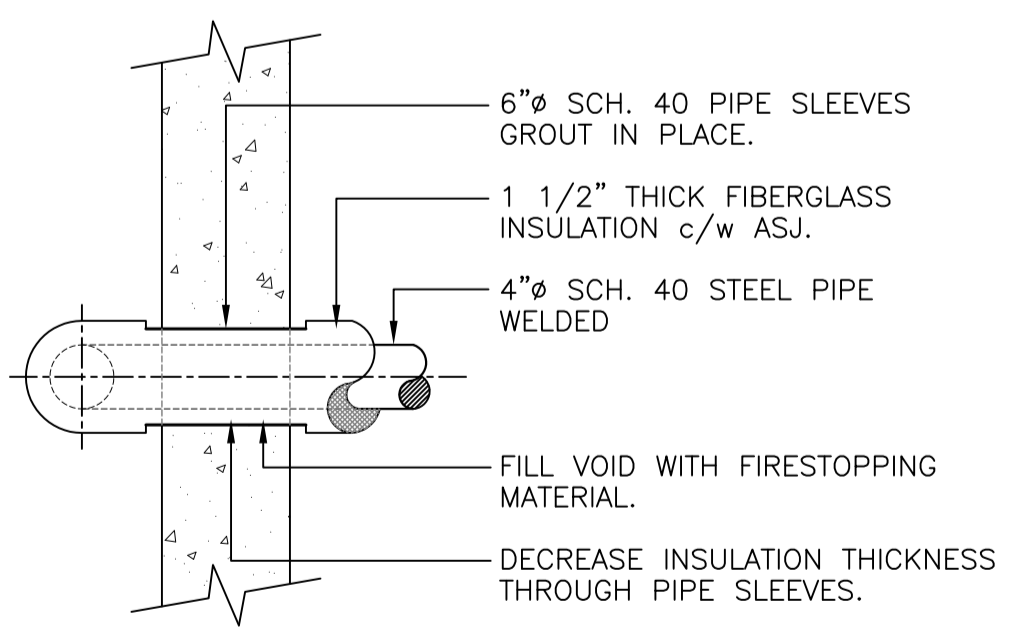


PIPE RUN LOCATION	CLEARANCE REQ'D DIMENSION "A"
NORTH CORRIDOR	5"
EAST CORRIDOR	3"

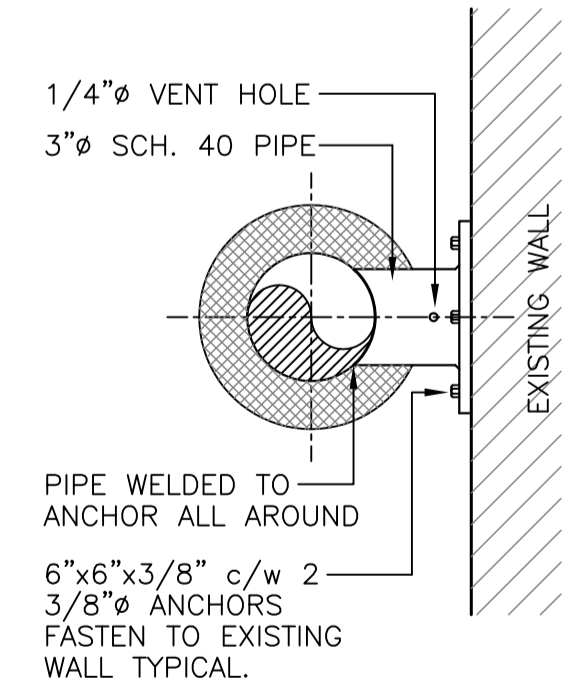
1 PIPE SUPPORT SECTION
1"=1'-0"



B PIPE INSULATION AND SUPPORT DETAIL
2"=1'-0"



C PIPE THROUGH WALL PENETRATION
1"=1'-0"



D PIPE ANCHOR DETAIL
2"=1'-0"

Record Drawings
These Record Drawings have been prepared utilizing the mark-up documents provided by the contractor. Accutech Engineering Inc has undertaken no independent verification of the information. The responsibility for the accuracy of the Record information rests with the contractor supplying the information.

REV.	DESCRIPTION	DWN.	APP.	DATE
3	AS BUILT DRAWING	FT	BKW	05/31/02
2	ISSUED FOR CONSTRUCTION	FT	BKW	02/01/02
1	ISSUED FOR TENDER	FT	BKW	01/25/02
0	ISSUED FOR CLIENT REVIEW	FT	BKW	01/24/02

ACCUTECH Engineering
605-287 Broadway, Winnipeg, Manitoba, Canada R3C 0R9

APPROVED BY: FT DATE: _____
DESIGNED BY: BKW
CHECKED BY: BKW CHECKED BY: BKW
SCALE: AS NOTED JOB No. _____

CITY OF WINNIPEG
PAN AM POOL MECHANICAL RENOVATIONS
PLAN, SECTIONS, NOTES, & DETAILS

AM02 3
REV.

8072/02

*** DWG