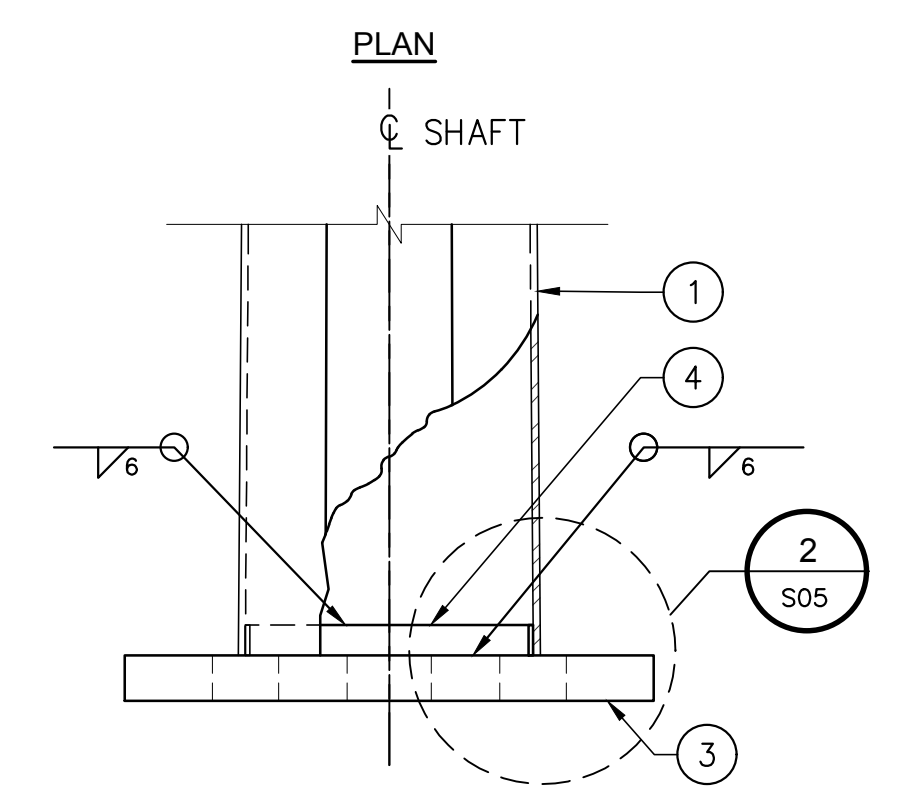
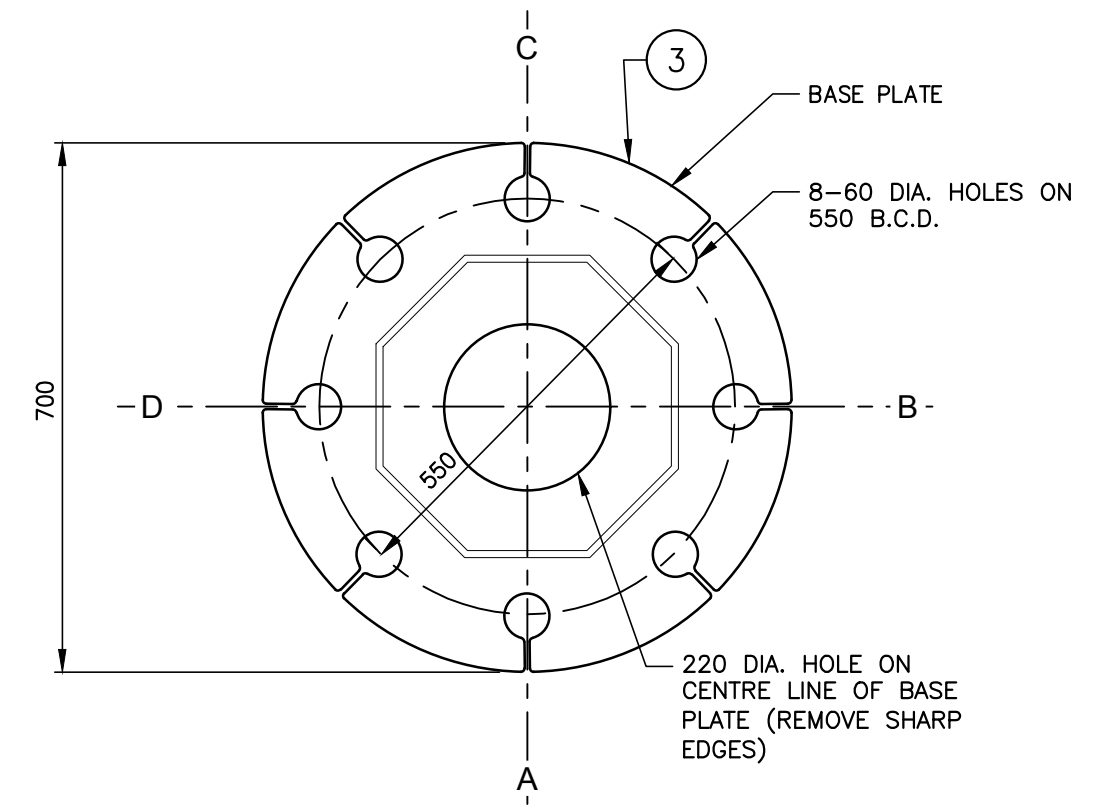
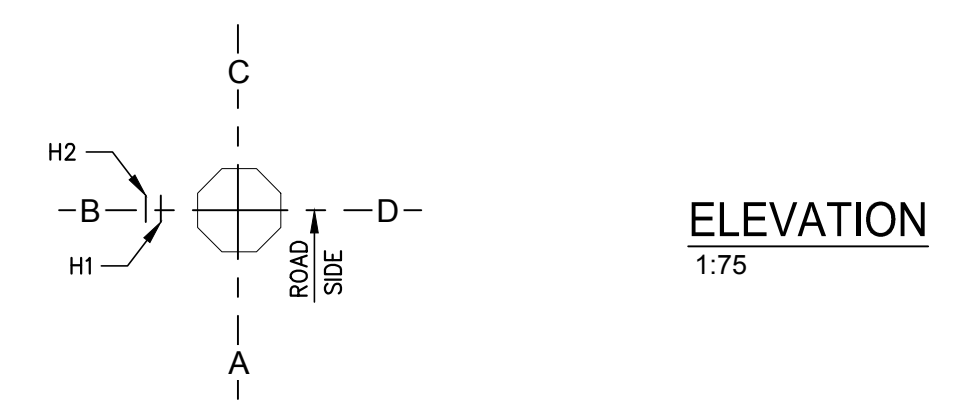
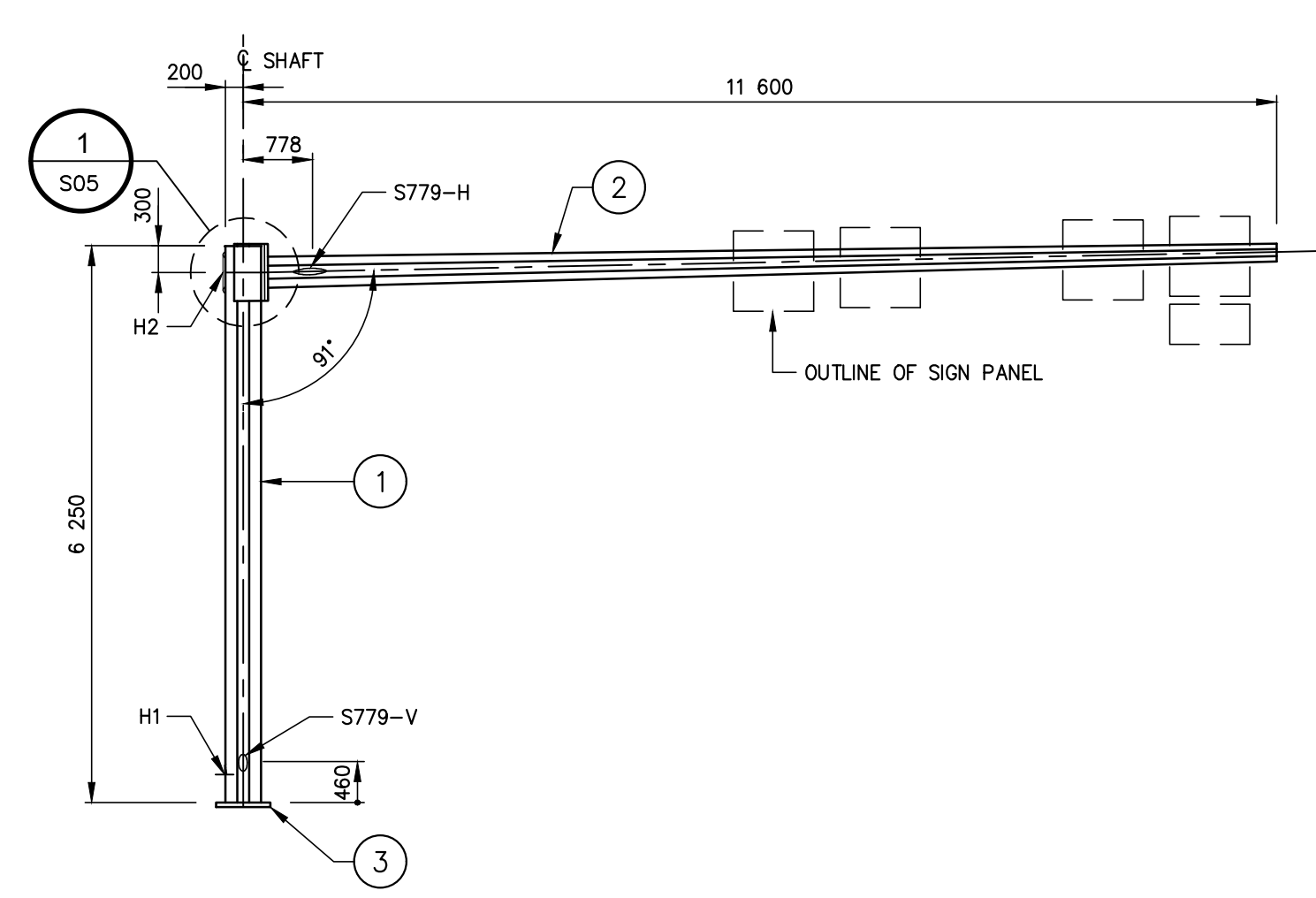
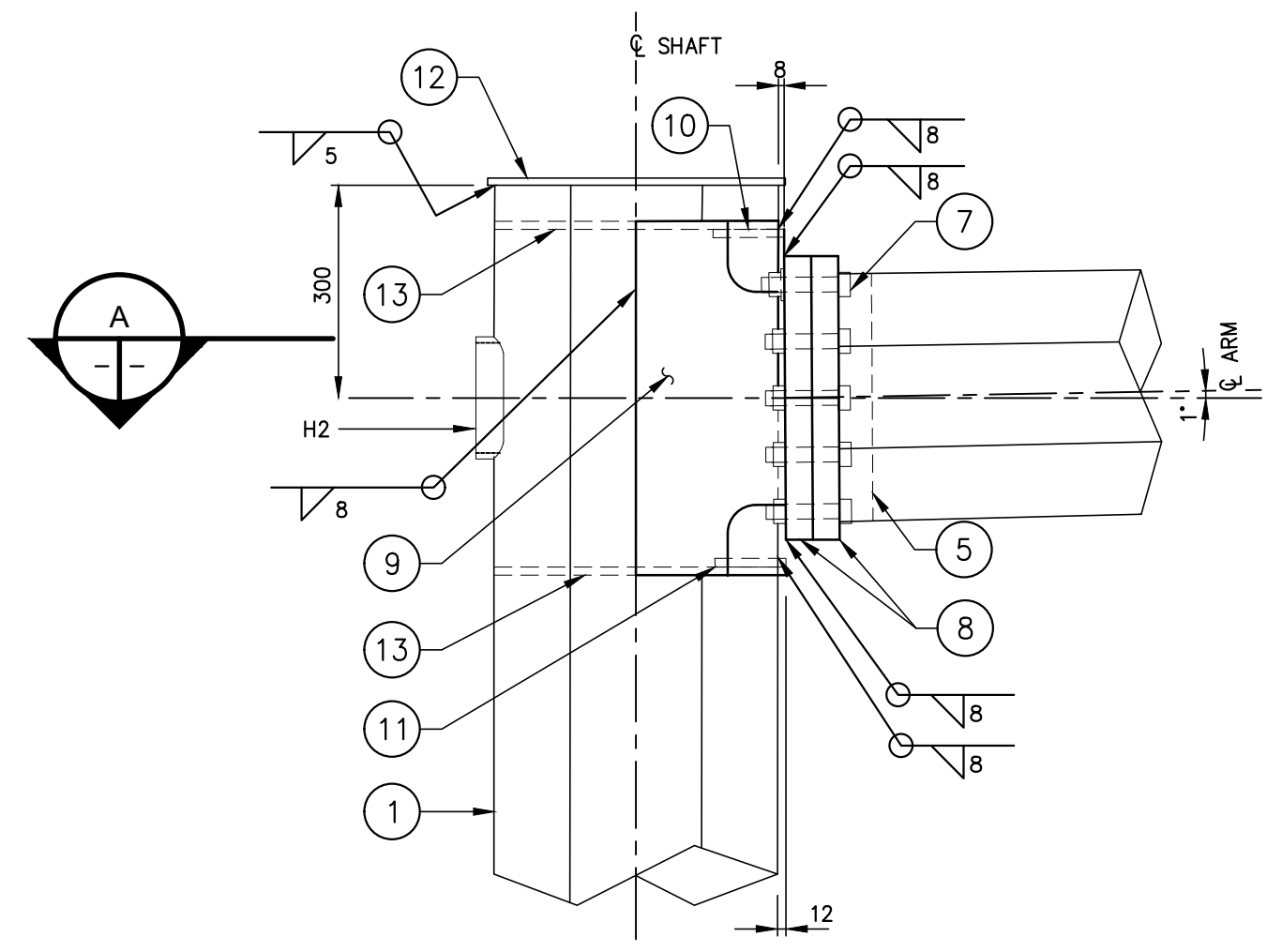


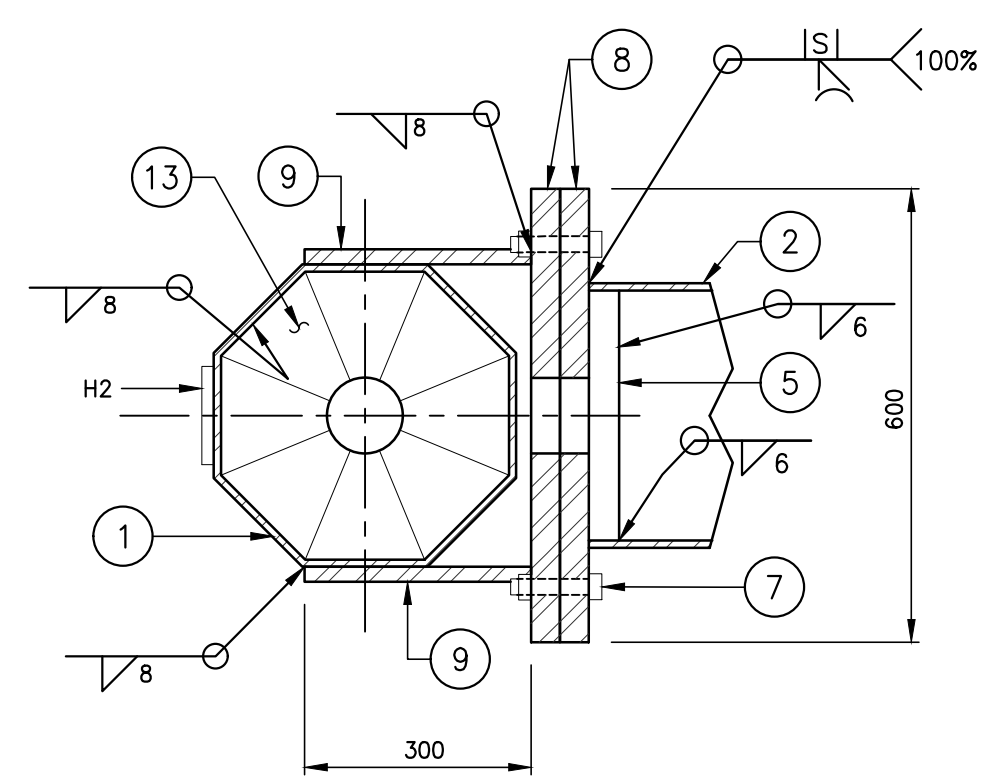
May 16, 2016 - 2:53pm
 P:\5516006-5516006- Pembina Hwy Pavement, Road & Blue Lane\MM\Drawings\Overhead Structures\5516006_Pembina Hwy Oh Sign_S01-S06.dwg - tab.S-05



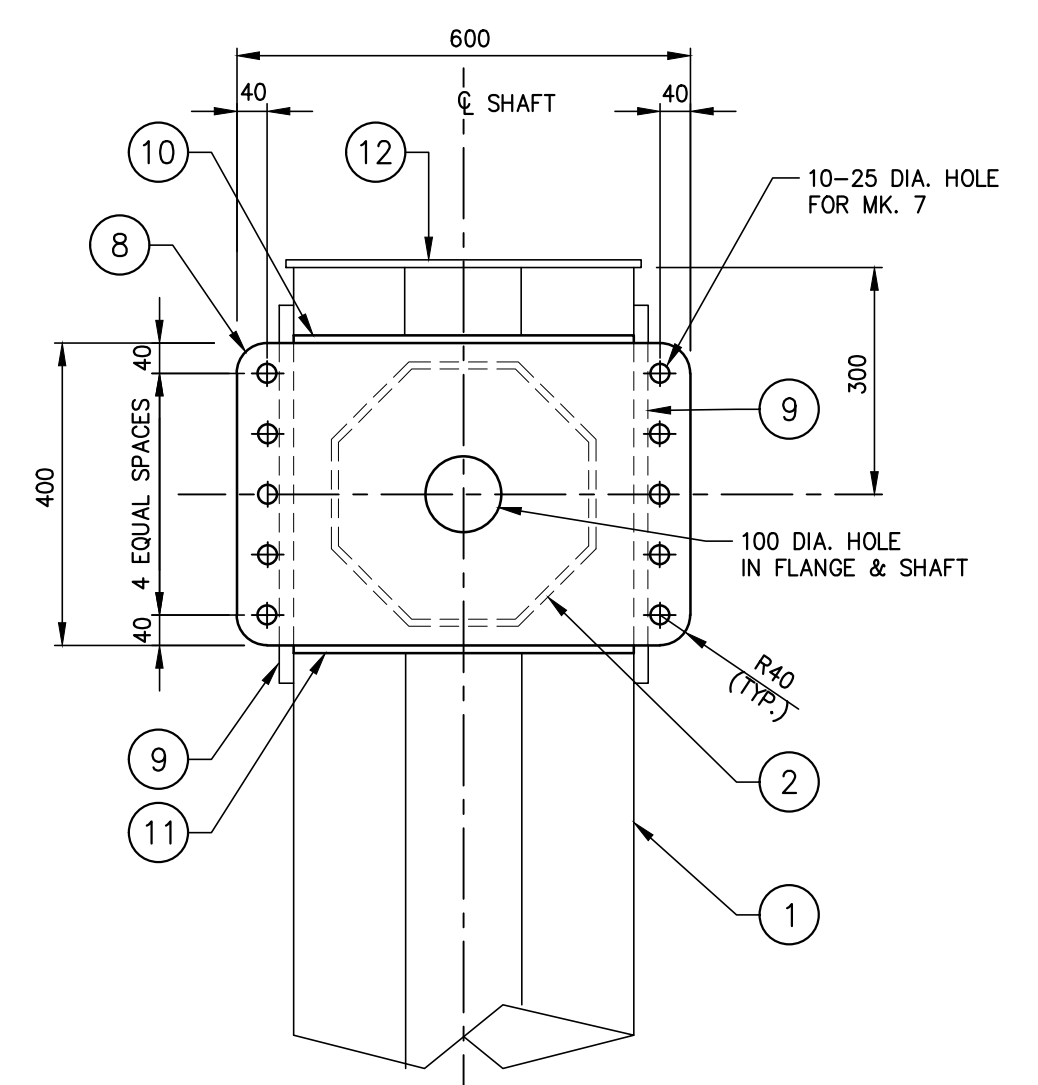
BASE PLATE DETAIL
1:10



DETAIL
1:10



SECTION
1:10



FLANGE PLATE DETAIL
1:10

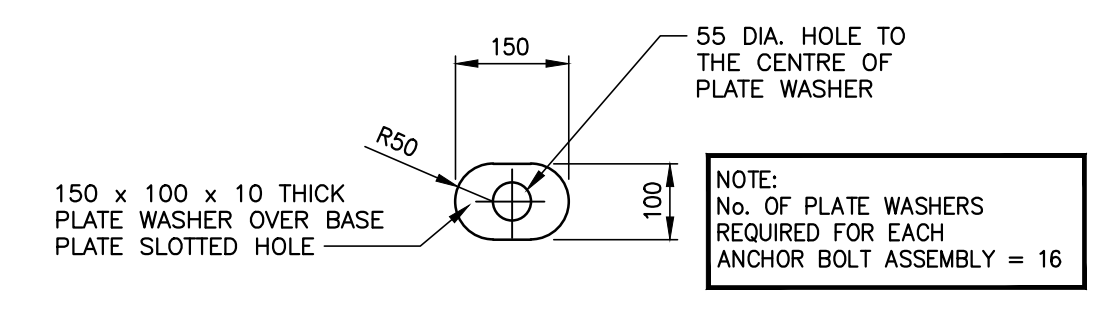
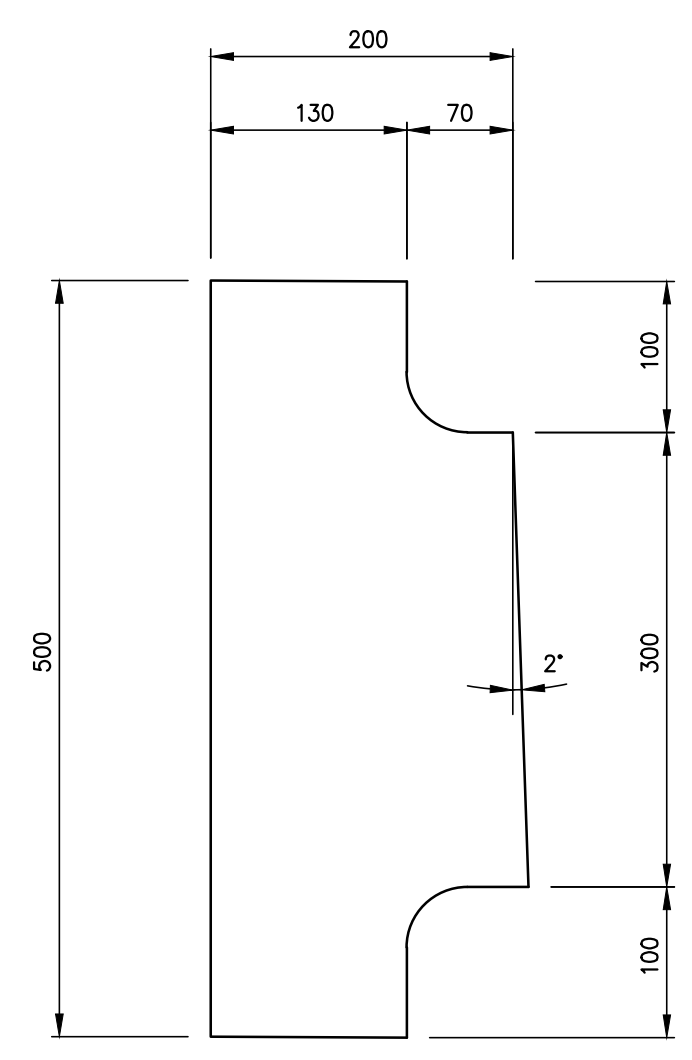
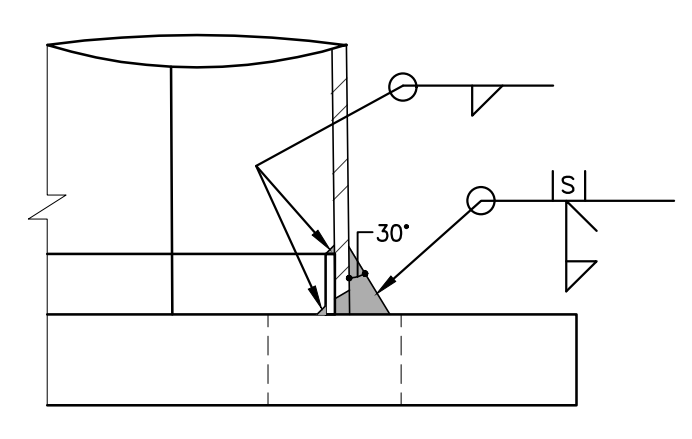


PLATE WASHER DETAIL
1:10



SIDE GUSSET PLATE MK. 9
1:5



WELD DETAIL
1:10

GENERAL NOTES

DESIGN DATA

1. AASHTO STANDARD SPECIFICATIONS FOR STRUCTURAL SUPPORTS FOR HIGHWAY SIGNS, LUMINAIRES AND TRAFFIC SIGNALS, 5TH EDITION, 2009.
2. DESIGN WIND LOADS = 1.50 kPa (30 PSF)
3. DESIGN ICE LOAD = 0.15 kPa (3 PSF)
4. ALL MATERIALS ARE CSA G40.21 - 350W STRUCTURAL STEEL UNLESS OTHERWISE NOTED.
5. ALL MATERIALS EXCEPT STAINLESS STEEL AND ALUMINUM ARE HOT-DIP GALVANIZED IN ACCORDANCE WITH CSA G164 TO A MINIMUM NET RETENTION OF 600 g/m.
6. ALL AREAS OF DAMAGED GALVANIZING REPAIRED WITH SELF-FLUXING LOW TEMPERATURE, ZINC BASED ALLOY ROD OR SPRAY ON COATING CALLED "ZINGA".

SIGNS

1. FOUR SIGN PANELS
SIZES:
4 - 900 x 900
SUPPLIED AND INSTALLED BY THE CITY OF WINNIPEG TRAFFIC SERVICES BRANCH.
2. INSTALL HOLES IN THE GUSSET PLATES FOR DRAINAGE DURING GALVANIZING AS DETAILED.

METRIC
WHOLE NUMBERS INDICATE MILLIMETRES
DECIMALIZED NUMBERS INDICATE METRES



NOTE:
These design documents are prepared solely for the use by the party with whom the design professional has entered into a contract and there are no representations of any kind made by the design professional to any party with whom the design professional has not entered into a contract.

LOCATIONS APPROVED UNDERGROUND STRUCTURES				BENCHMARK LOCATION			
SIGNED BY: _____ DATE: _____ SUPV UG STRUCTURES				BENCHMARK LOCATION LOCATED ON "O" OF OPEN ON HYDRANT, SOUTHEAST CORNER OF PEMBINA HIGHWAY AND DALY STREET NORTH G.R.M. ELEV. 232,929			
LOCATION OF UNDERGROUND STRUCTURES AS SHOWN ARE BASED ON THE BEST INFORMATION AVAILABLE BUT NO GUARANTEE IS GIVEN THAT ALL EXISTING UTILITIES ARE SHOWN OR THAT THE GIVEN LOCATIONS ARE EXACT CONFIRMATION OF EXISTENCE AND EXACT LOCATION OF ALL SERVICES MUST BE OBTAINED FROM THE INDIVIDUAL UTILITIES BEFORE PROCEEDING				MMM GROUP MMM Group Limited Suite 111 - 93 Lombard Ave Winnipeg, MB R3B 3B1 t. 204.943.3178 f. 204.943.4948 www.mmgrouplimited.com			
DESIGNED BY: MGM		CHECKED BY: TR/EH					
DRAWN BY: KD		APPROVED BY: JPL		CONSULTANT ACAD DWG. NO. 5516006-S-05			
HOR. SCALE: AS NOTED		RELEASED FOR CONSTRUCTION		THE CITY OF WINNIPEG PUBLIC WORKS DEPARTMENT ENGINEERING DIVISION			
VERTICAL SCALE: AS NOTED		DATE: MAY 16 2016		PEMBINA HIGHWAY FROM CARTER AVENUE TO OSBORNE STREET OVERHEAD SIGN STRUCTURES S779 - FABRICATION DETAILS (1 OF 2)			
NO. REVISIONS		DATE		CITY DRAWING NUMBER			
3 ISSUED FOR TENDER 16.MAY.16 VM				SHEET 26 OF 27			
2 ISSUED TO UNDERGROUND STRUCTURES 16.MAY.16 VM				BID NO. 386-2016			
1 ISSUED FOR CLIENT REVIEW 28.APR.16 VM							

Winnipeg
 THE CITY OF WINNIPEG
 PUBLIC WORKS DEPARTMENT
 ENGINEERING DIVISION
 PEMBINA HIGHWAY
 FROM CARTER AVENUE TO OSBORNE STREET
 OVERHEAD SIGN STRUCTURES
 S779 - FABRICATION DETAILS (1 OF 2)