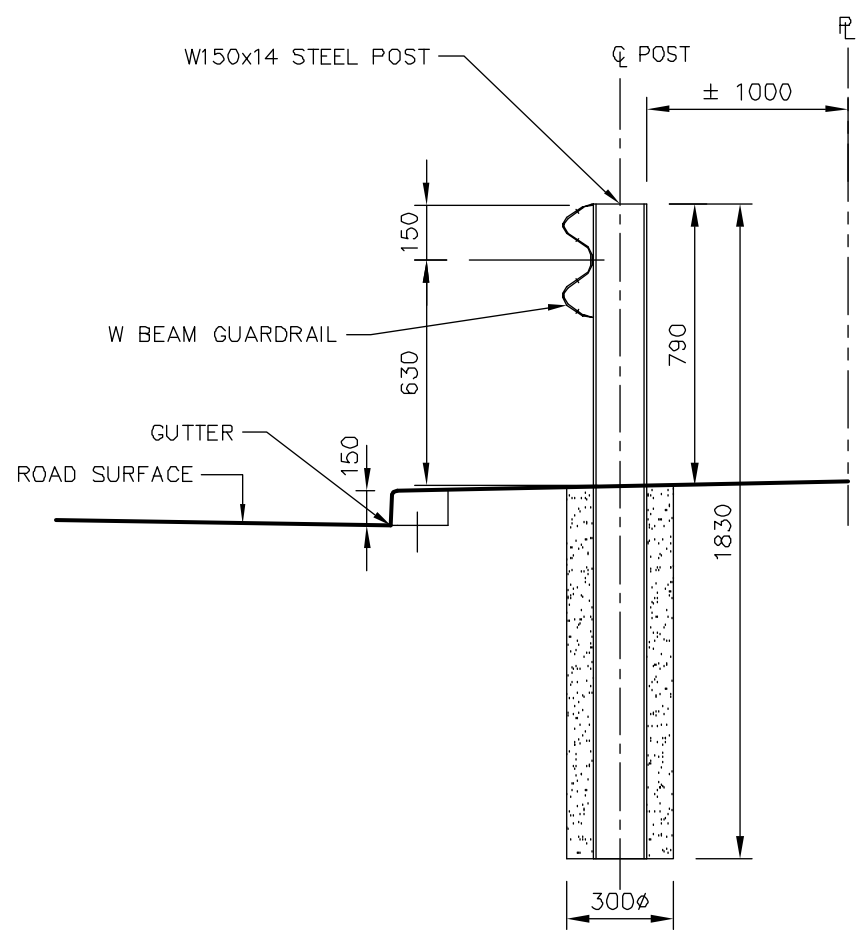
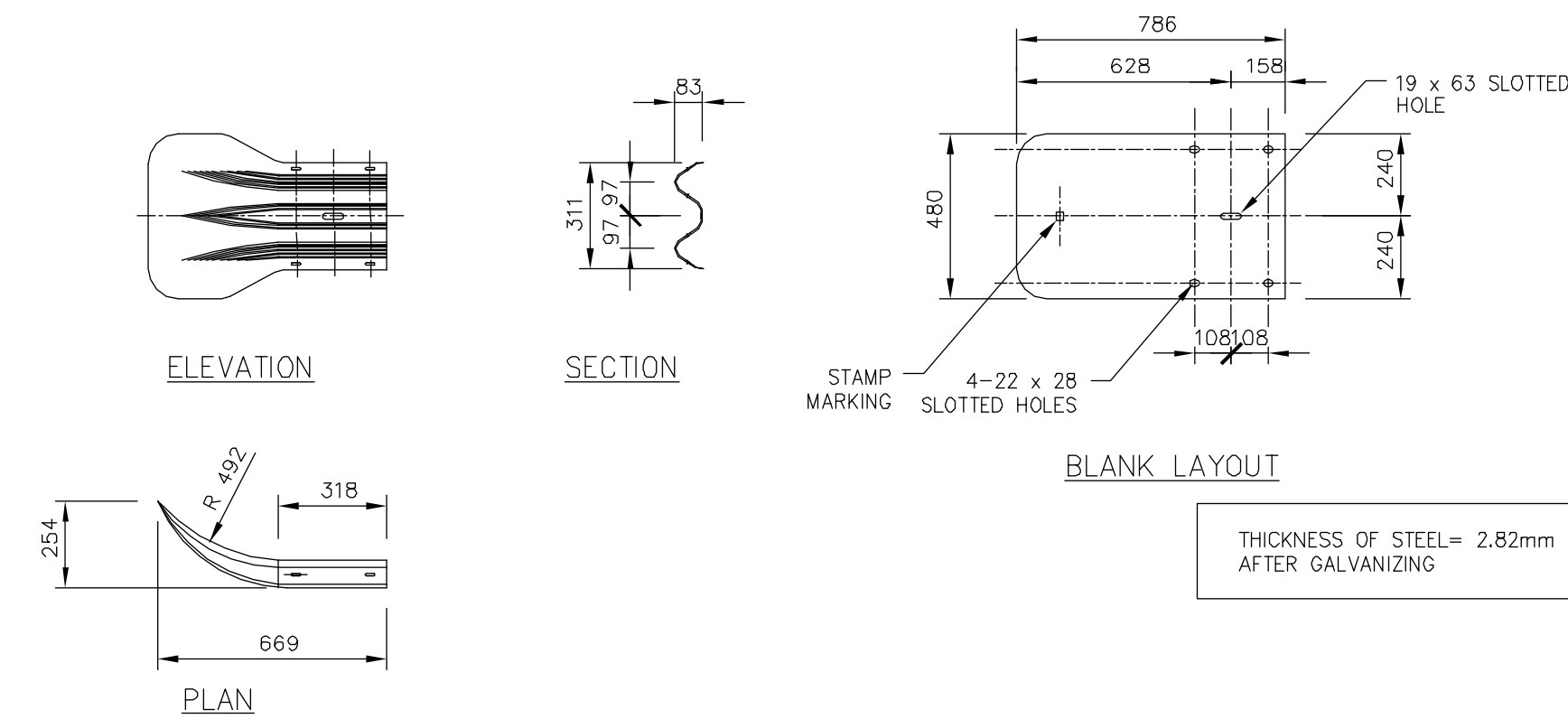


W-BEAM GUARDRAIL SECTION



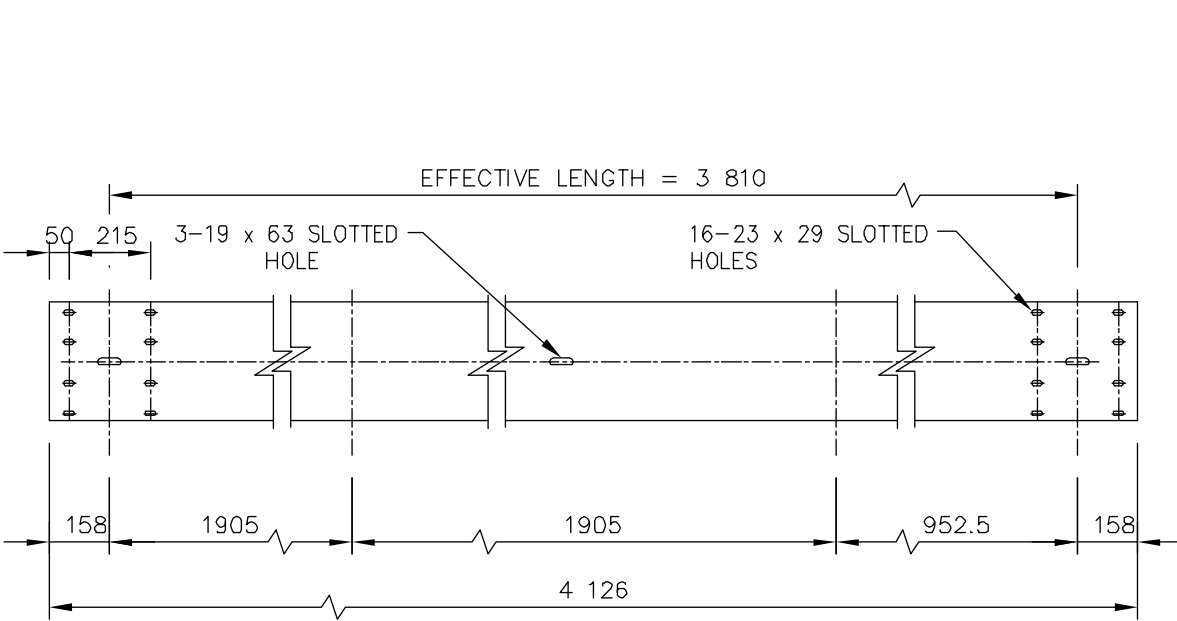
POST DETAILS

1:20



W-BEAM GUARDRAIL END SECTION

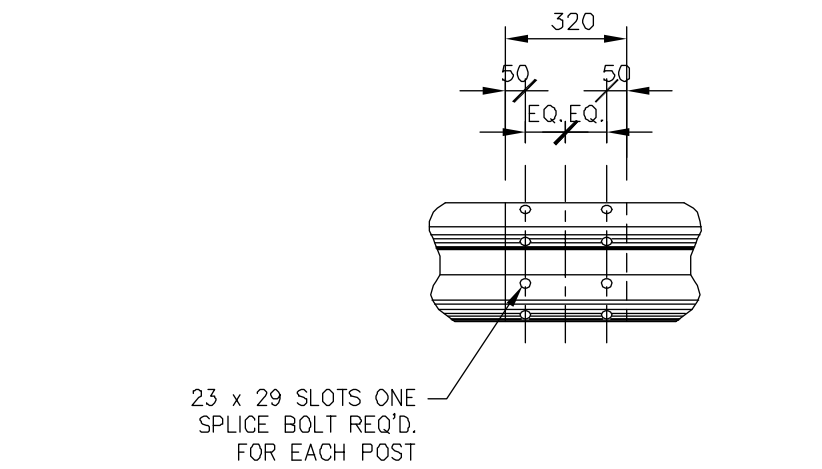
1:20



W-BEAM GUARDRAIL

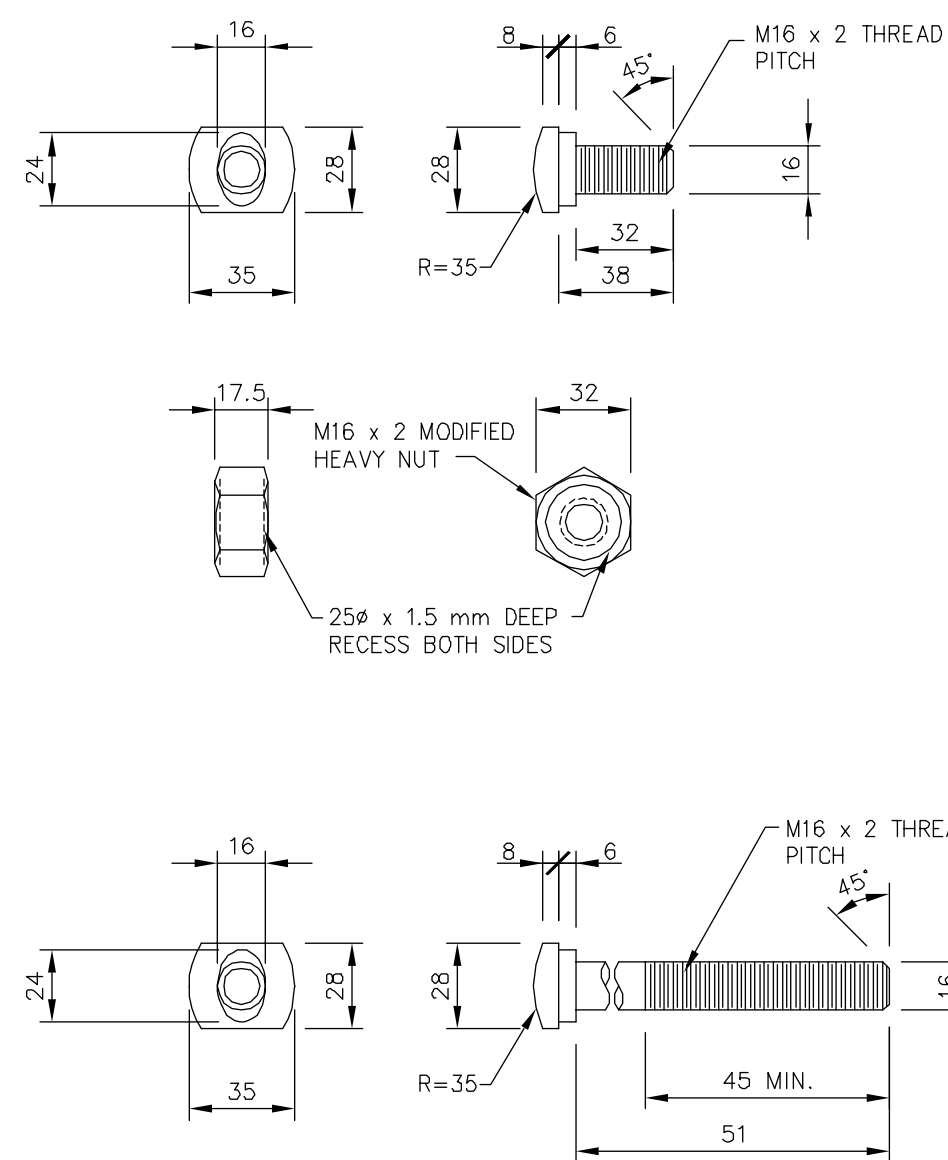
1:20

A FINISHED THICKNESS OF RAIL TO BE 2.82mm NOMINAL STEEL AND HOT DIPPED GALVANIZED AFTER FABRICATION.



RAIL SPLICE DETAILS

1:20



GUARDRAIL BOLT AND RECESSED NUT

NTS

FOR GUARDRAIL LOCATION
REFER TO C-13

FOR TENDER PURPOSES ONLY

METRIC

WHOLE NUMBERS INDICATE MILLIMETRES
DECIMALIZED NUMBERS INDICATE METRES



LOCATIONS APPROVED UNDERGROUND STRUCTURES

SIGNED BY: _____ DATE: _____
SUPV U/G STRUCTURES

LOCATION OF UNDERGROUND STRUCTURES AS SHOWN ARE BASED ON THE BEST INFORMATION AVAILABLE BUT NO GUARANTEE IS GIVEN THAT ALL EXISTING UTILITIES ARE SHOWN OR THAT THE GIVEN LOCATIONS ARE EXACT CONFIRMATION OF EXISTANCE AND EXACT LOCATION OF ALL SERVICES MUST BE OBTAINED FROM THE INDIVIDUAL UTILITIES BEFORE PROCEEDING

NO.	REVISIONS	DATE	BY
3	ISSUED FOR TENDER	16 MAY 16	VM
2	ISSUED TO UNDERGROUND STRUCTURES	16 MAY 16	VM
1	ISSUED FOR CLIENT REVIEW	28 APR 16	VM



DESIGNED BY	SQ/JP	CHECKED BY	VM/TP
DRAWN BY	HK/LT	APPROVED BY	VM
HOR. SCALE	NTS	RELEASED FOR CONSTRUCTION	
VERTICAL	-	DATE	MARCH 2016

MMM Group Limited,
Suite 111 - 93 Lombard Ave,
Winnipeg, MB R3B 3B1
t. 204.943.3178
f. 204.943.4948
www.mmm.ca



THE CITY OF WINNIPEG
PUBLIC WORKS DEPARTMENT
ENGINEERING DIVISION

PEMBINA HIGHWAY
FROM CARTER AVENUE TO OSBORNE STREET

GUARDRAIL DETAILS

CITY DRAWING NUMBER	
SHEET	21 OF 27
BID NO.	386-2016

NOTE: These design documents are prepared solely for the use by the party with whom the design professional has entered into a contract and there are no representations of any kind made by the design professional to any party with whom the design professional has not entered into a contract.