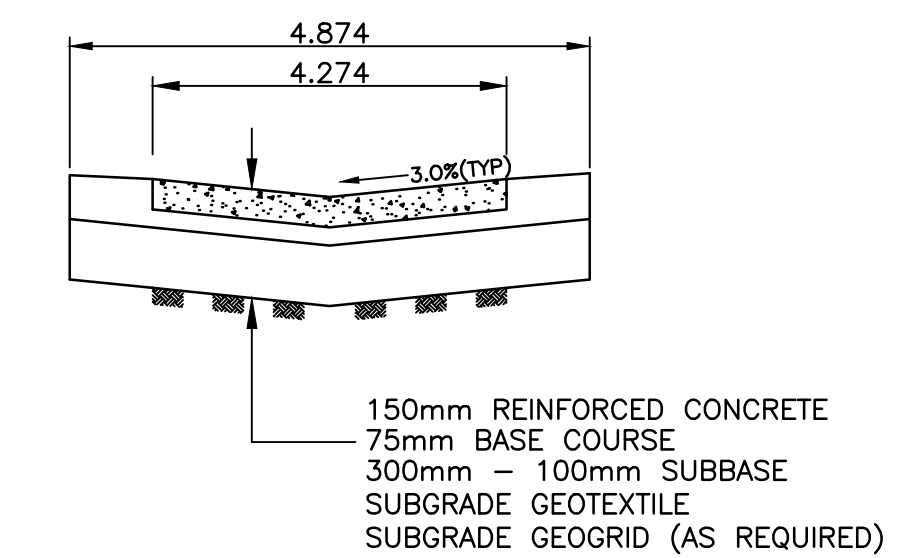
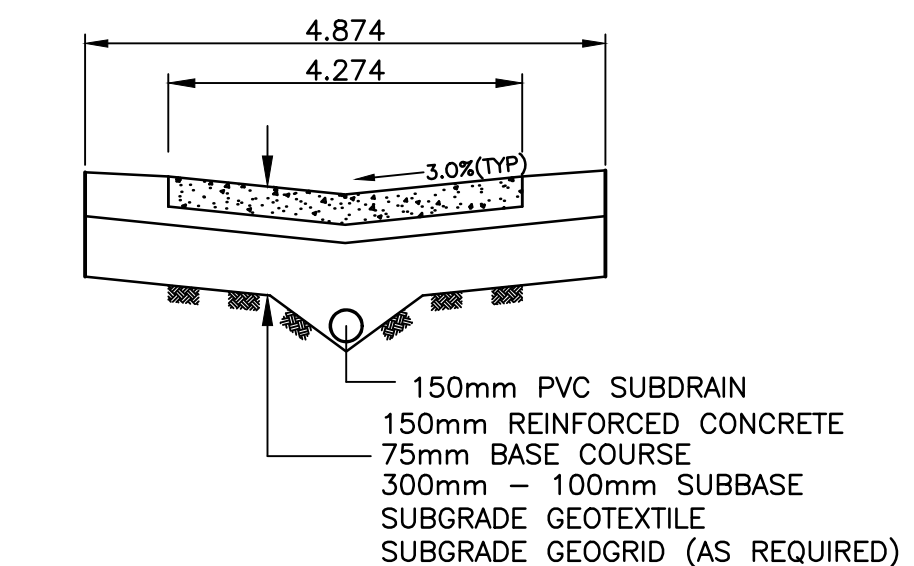


- NOTES:**
- ISOLATE EXISTING HYDRO POLES AS DIRECTED BY CONTRACT ADMINISTRATOR
 - RENEW EXISTING APPROACHES AS DIRECTED BY CONTRACT ADMINISTRATOR
 - ADDITIONAL EXCAVATION AND INSTALLATION OF SUBGRADE GEOGRID TO BE DETERMINED BY CONTRACT ADMINISTRATOR
 - ADJUSTMENTS TO PROPOSED CROSSFALL, WHERE REQUIRED, ARE TO BE DETERMINED BY CONTRACT ADMINISTRATOR TO SUIT EXISTING DRIVEWAYS, APPROACHES, ETC.
 - MODIFIED BARRIER CURB TO BE USED FOR CURB RENEWAL AT RADII AS DIRECTED BY CONTRACT ADMINISTRATOR
 - EX. MANHOLES, CATCHBASINS, GATE VALVES AND OTHER APPURTENANCES TO BE ADJUSTED AS DIRECTED BY CONTRACT ADMINISTRATOR

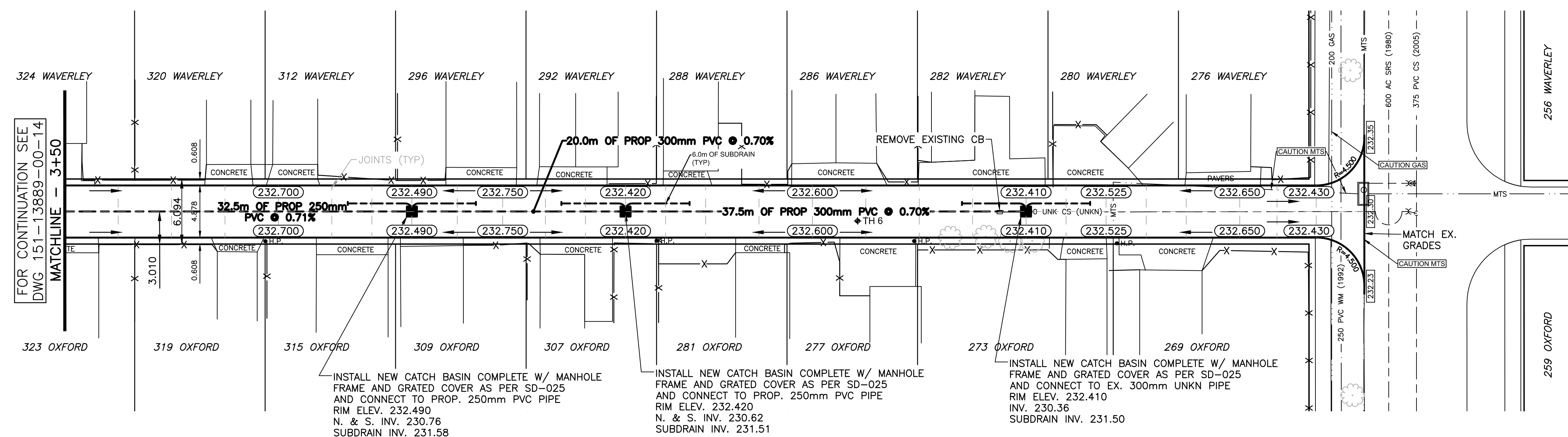


TYPICAL ALLEY CROSS SECTION
N.T.S.



TYPICAL ALLEY CROSS SECTION WITH SUBDRAIN
N.T.S.

CHAINAGE ALONG C. OF PUBLIC RIGHT-OF-WAY
WAVERLEY STREET / OXFORD STREET



"Description of property limits, and existing and/or proposed features relative to these limits as shown on this drawing do not represent a Legal Survey. WSP makes no representation or guarantee that the property limit information is accurate. WSP accepts no responsibility for damages, if any, suffered by any third party as a result of decisions made or actions based on this drawing."

<table border="1"> <tr> <td>WATERMAIN</td> <td>HYDRANT</td> <td>M.T.S.</td> <td>TRAFFIC SIGNAL</td> <td>WATERMAIN</td> <td>VALVE</td> </tr> <tr> <td>CONCRETE/ASPHALT</td> <td>CONCRETE/ASPHALT</td> <td>CONCRETE/ASPHALT</td> <td>CONCRETE/ASPHALT</td> <td>LAND DRAINAGE SEWER</td> <td>LAND DRAINAGE SEWER</td> </tr> <tr> <td>WASTE WATER SEWER</td> <td>WASTE WATER SEWER</td> <td>WASTE WATER SEWER</td> <td>WASTE WATER SEWER</td> <td>WASTE WATER SEWER</td> <td>WASTE WATER SEWER</td> </tr> <tr> <td>LAND DRAINAGE SEWER</td> <td>LAND DRAINAGE SEWER</td> <td>LAND DRAINAGE SEWER</td> <td>LAND DRAINAGE SEWER</td> <td>LAND DRAINAGE SEWER</td> <td>LAND DRAINAGE SEWER</td> </tr> <tr> <td>C.B. LEAD</td> <td>C.B. LEAD</td> <td>C.B. LEAD</td> <td>C.B. LEAD</td> <td>C.B. LEAD</td> <td>C.B. LEAD</td> </tr> <tr> <td>MANHOLE</td> <td>MANHOLE</td> <td>MANHOLE</td> <td>MANHOLE</td> <td>MANHOLE</td> <td>MANHOLE</td> </tr> <tr> <td>CATCH BASIN</td> <td>CATCH BASIN</td> <td>CATCH BASIN</td> <td>CATCH BASIN</td> <td>CATCH BASIN</td> <td>CATCH BASIN</td> </tr> <tr> <td>GAS</td> <td>GAS</td> <td>GAS</td> <td>GAS</td> <td>GAS</td> <td>GAS</td> </tr> <tr> <td>HYDRO</td> <td>HYDRO</td> <td>HYDRO</td> <td>HYDRO</td> <td>HYDRO</td> <td>HYDRO</td> </tr> <tr> <td>EXISTING</td> <td>LEGEND - PLAN</td> <td>PROPOSED</td> <td>EXISTING</td> <td>LEGEND - PLAN</td> <td>PROPOSED</td> </tr> <tr> <td>EXISTING</td> <td>LEGEND - PROFILE</td> <td>PROPOSED</td> <td>EXISTING</td> <td>LEGEND - PROFILE</td> <td>PROPOSED</td> </tr> </table>	WATERMAIN	HYDRANT	M.T.S.	TRAFFIC SIGNAL	WATERMAIN	VALVE	CONCRETE/ASPHALT	CONCRETE/ASPHALT	CONCRETE/ASPHALT	CONCRETE/ASPHALT	LAND DRAINAGE SEWER	LAND DRAINAGE SEWER	WASTE WATER SEWER	WASTE WATER SEWER	WASTE WATER SEWER	WASTE WATER SEWER	WASTE WATER SEWER	WASTE WATER SEWER	LAND DRAINAGE SEWER	LAND DRAINAGE SEWER	LAND DRAINAGE SEWER	LAND DRAINAGE SEWER	LAND DRAINAGE SEWER	LAND DRAINAGE SEWER	C.B. LEAD	C.B. LEAD	C.B. LEAD	C.B. LEAD	C.B. LEAD	C.B. LEAD	MANHOLE	MANHOLE	MANHOLE	MANHOLE	MANHOLE	MANHOLE	CATCH BASIN	CATCH BASIN	CATCH BASIN	CATCH BASIN	CATCH BASIN	CATCH BASIN	GAS	GAS	GAS	GAS	GAS	GAS	HYDRO	HYDRO	HYDRO	HYDRO	HYDRO	HYDRO	EXISTING	LEGEND - PLAN	PROPOSED	EXISTING	LEGEND - PLAN	PROPOSED	EXISTING	LEGEND - PROFILE	PROPOSED	EXISTING	LEGEND - PROFILE	PROPOSED	<p>LOCATION APPROVED UNDERGROUND STRUCTURES</p> <p>SUPV. U/G STRUCTURES DATE COMMITTEE</p> <p>NOTE: LOCATION OF UNDERGROUND STRUCTURES AS SHOWN ARE BASED ON THE BEST INFORMATION AVAILABLE BUT NO GUARANTEE IS GIVEN THAT ALL EXISTING UTILITIES ARE SHOWN OR THAT THE GIVEN LOCATIONS ARE EXACT. CONFIRMATION OF EXISTENCE AND EXACT LOCATION OF ALL SERVICES MUST BE OBTAINED FROM THE INDIVIDUAL UTILITIES BEFORE PROCEEDING WITH CONSTRUCTION.</p>	<p>B.M. ELEV.</p> <table border="1"> <tr> <td>NO.</td> <td>REVISIONS</td> <td>DATE</td> <td>BY</td> </tr> <tr> <td>2</td> <td>ISSUED FOR TENDER</td> <td>04/06/16</td> <td>A.B.</td> </tr> <tr> <td>1</td> <td>FOR REVIEW AND APPROVAL</td> <td>03/03/16</td> <td>A.B.</td> </tr> </table>	NO.	REVISIONS	DATE	BY	2	ISSUED FOR TENDER	04/06/16	A.B.	1	FOR REVIEW AND APPROVAL	03/03/16	A.B.	<p>WSP</p> <p>1600 BUFFALO PLACE WINNIPEG, MB, R3T 6B8 PHONE: 204-477-6650 FAX: 204-474-2864 WWW.WSPGROUP.COM</p> <p>DESIGNED BY: A.B. CHECKED BY: S.M. DRAWN BY: A.B. APPROVED BY: I.McK. HOR. SCALE: 1:250 VERT. SCALE: 1:25</p> <p>DATE: JANUARY 2016</p>	<p>ENGINEERS SEAL</p> <p>THE CITY OF WINNIPEG PUBLIC WORKS DEPARTMENT</p> <p>2016 ALLEY RECONSTRUCTION - CONTRACT 1 WAVERLEY STREET/OXFORD STREET ALLEY</p> <p>FROM STA. 3+50 TO KINGSWAY</p> <p>CONCRETE PAVEMENT</p>	<p>CITY DRAWING NO.</p> <p>SHEET 3 OF 3</p> <p>316-2016</p>
WATERMAIN	HYDRANT	M.T.S.	TRAFFIC SIGNAL	WATERMAIN	VALVE																																																																														
CONCRETE/ASPHALT	CONCRETE/ASPHALT	CONCRETE/ASPHALT	CONCRETE/ASPHALT	LAND DRAINAGE SEWER	LAND DRAINAGE SEWER																																																																														
WASTE WATER SEWER	WASTE WATER SEWER	WASTE WATER SEWER	WASTE WATER SEWER	WASTE WATER SEWER	WASTE WATER SEWER																																																																														
LAND DRAINAGE SEWER	LAND DRAINAGE SEWER	LAND DRAINAGE SEWER	LAND DRAINAGE SEWER	LAND DRAINAGE SEWER	LAND DRAINAGE SEWER																																																																														
C.B. LEAD	C.B. LEAD	C.B. LEAD	C.B. LEAD	C.B. LEAD	C.B. LEAD																																																																														
MANHOLE	MANHOLE	MANHOLE	MANHOLE	MANHOLE	MANHOLE																																																																														
CATCH BASIN	CATCH BASIN	CATCH BASIN	CATCH BASIN	CATCH BASIN	CATCH BASIN																																																																														
GAS	GAS	GAS	GAS	GAS	GAS																																																																														
HYDRO	HYDRO	HYDRO	HYDRO	HYDRO	HYDRO																																																																														
EXISTING	LEGEND - PLAN	PROPOSED	EXISTING	LEGEND - PLAN	PROPOSED																																																																														
EXISTING	LEGEND - PROFILE	PROPOSED	EXISTING	LEGEND - PROFILE	PROPOSED																																																																														
NO.	REVISIONS	DATE	BY																																																																																
2	ISSUED FOR TENDER	04/06/16	A.B.																																																																																
1	FOR REVIEW AND APPROVAL	03/03/16	A.B.																																																																																