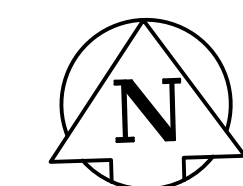
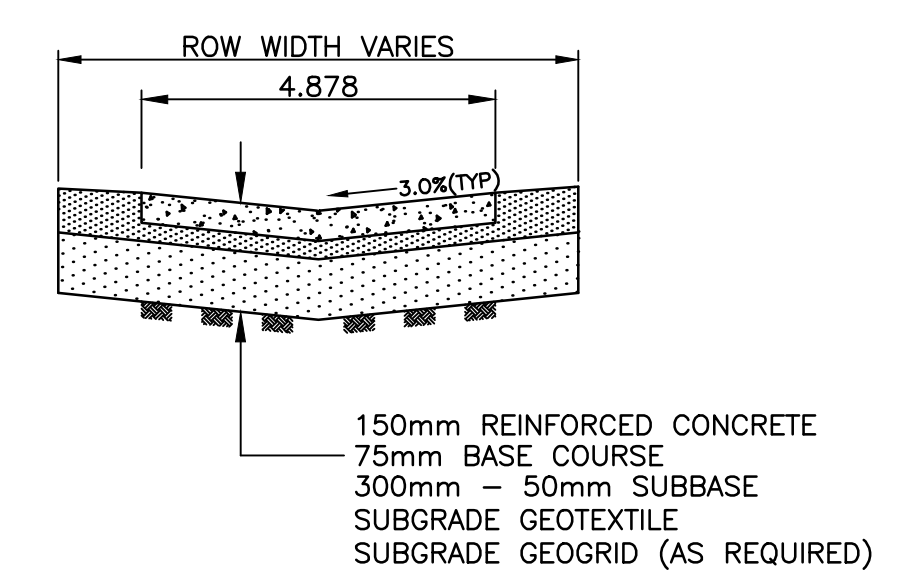
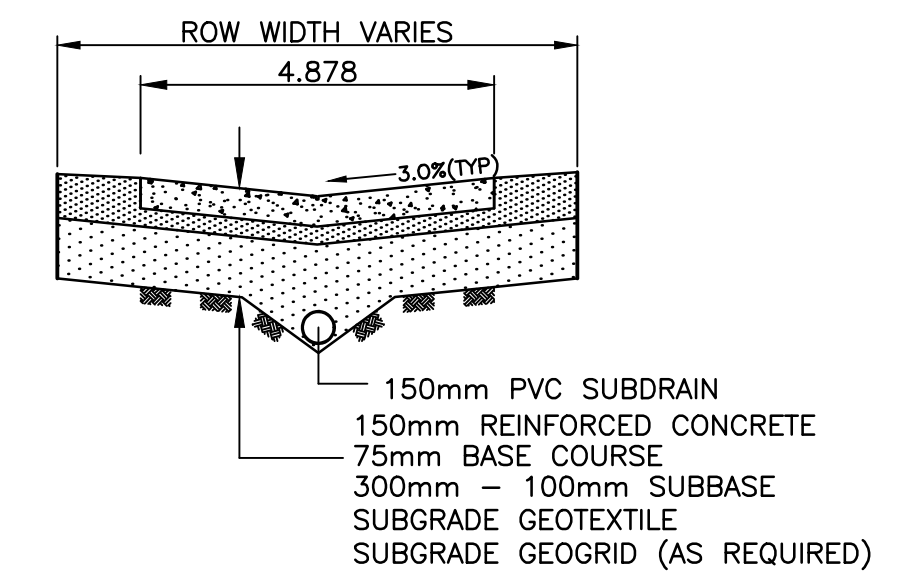
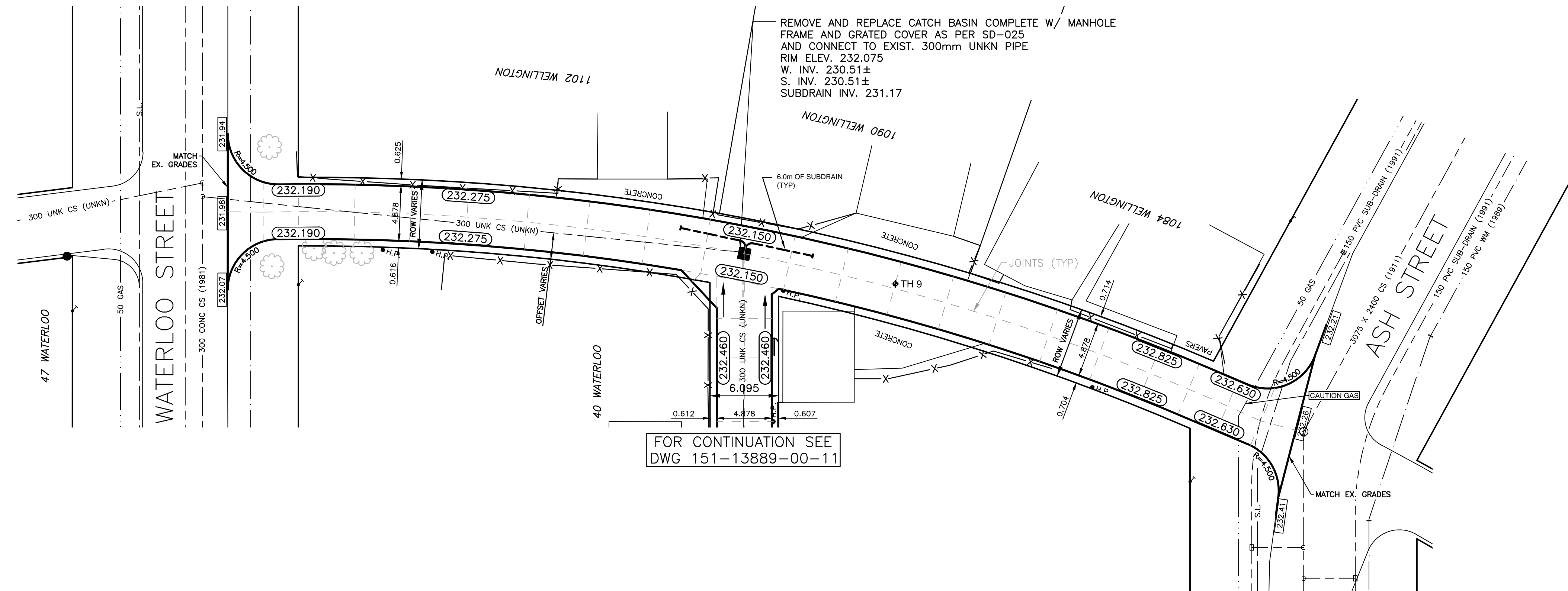


CHAINAGE ALONG C OF PUBLIC RIGHT-OF-WAY  
**WATERLOO STREET / ASH STREET**



- NOTES:**
- ISOLATE EXISTING HYDRO POLES AS DIRECTED BY CONTRACT ADMINISTRATOR
  - RENEW EXISTING APPROACHES AS DIRECTED BY CONTRACT ADMINISTRATOR
  - ADDITIONAL EXCAVATION AND INSTALLATION OF SUBGRADE GEOGRID TO BE DETERMINED BY CONTRACT ADMINISTRATOR
  - ADJUSTMENTS TO PROPOSED CROSSFALL, WHERE REQUIRED, ARE TO BE DETERMINED BY CONTRACT ADMINISTRATOR TO SUIT EXISTING DRIVEWAYS, APPROACHES, ETC.
  - MODIFIED BARRIER CURB TO BE USED FOR CURB RENEWAL AT RADII AS DIRECTED BY CONTRACT ADMINISTRATOR
  - EX. MANHOLES, CATCHBASINS, GATE VALVES AND OTHER APPURTENANCES TO BE ADJUSTED AS DIRECTED BY CONTRACT ADMINISTRATOR



EXISTING	LEGEND - PLAN	PROPOSED	EXISTING	LEGEND - PLAN	PROPOSED	EXISTING	LEGEND - PROFILE	PROPOSED
	WATERMAIN			M.T.S.			WATERMAIN VALVE	
	HYDRANT			TRAFFIC SIGNAL			CONCRETE/ASPHALT	
	VALVE			SIDEWALK			LAND DRAINAGE SEWER	
	CURB STOP			CURB RAMP			WASTE WATER SEWER	
	WASTE DRAINAGE SEWER			PROPERTY LINE			CENTERLINE	
	C.B. LEAD			ELEVATIONS			SOUTH & EAST GUTTER	
	MANHOLE			TEST HOLE LOCATION			NORTH & WEST GUTTER	
	CATCH BASIN					S. & E. PAD/GARG.		
	GAS					N. & W. PAD/GARG.		
	HYDRO							

**LOCATION APPROVED UNDERGROUND STRUCTURES**

NO.	REVISIONS	DATE	BY
2	ISSUED FOR TENDER	04/06/16	A.B.
1	CON REVIEW AND APPROVAL_1	03/03/16	A.B.

NOTE:  
 LOCATION OF UNDERGROUND STRUCTURES AS SHOWN ARE BASED ON THE BEST INFORMATION AVAILABLE BUT NO GUARANTEE IS GIVEN THAT ALL EXISTING UTILITIES ARE SHOWN OR THAT THE GIVEN LOCATIONS ARE EXACT. CONFIRMATION OF EXISTENCE AND EXACT LOCATION OF ALL SERVICES MUST BE OBTAINED FROM THE INDIVIDUAL UTILITIES BEFORE PROCEEDING WITH CONSTRUCTION.

**WSP** 1600 BUFFALO PLACE WINNIPEG, MB, R3T 6B8 PHONE: 204-477-6864 FAX: 204-474-2864 WWW.WSPGROUP.COM

DESIGNED BY	A.B.	CHECKED BY	S.M.
DRAWN BY	A.B.	APPROVED BY	I.McK.
HOR. SCALE:	1:250	RELEASED FOR CONSTRUCTION	
VERT. SCALE:	1:25		
DATE	JANUARY 2016	DATE	

CONSULTANT DRAWING NO. 151-13889-00-12

**THE CITY OF WINNIPEG PUBLIC WORKS DEPARTMENT**

**2016 ALLEY RECONSTRUCTION - CONTRACT 1**  
 WATERLOO STREET/ASH STREET ALLEY  
 FROM WATERLOO STREET TO ASH STREET  
 CONCRETE PAVEMENT

CITY DRAWING NO. SHEET 4 OF 4  
 316-2016

